

FISHER & PAYKEL

DATA SHEET 24" Single DishDrawer™ Panel Ready Tall

Model no:

DD24STI9_N

DD24SHTI9_N

(refer page 3 for metric measurements)

Product Dimensions	in
Ⓐ Overall height* of DishDrawer™	17 7/8"
Ⓑ Overall width* of DishDrawer™	23 9/16"
Ⓒ Depth of DishDrawer™ chassis*	21 3/4"
Ⓓ Depth of drawer (open) (measured from front datum)*	20 3/4"

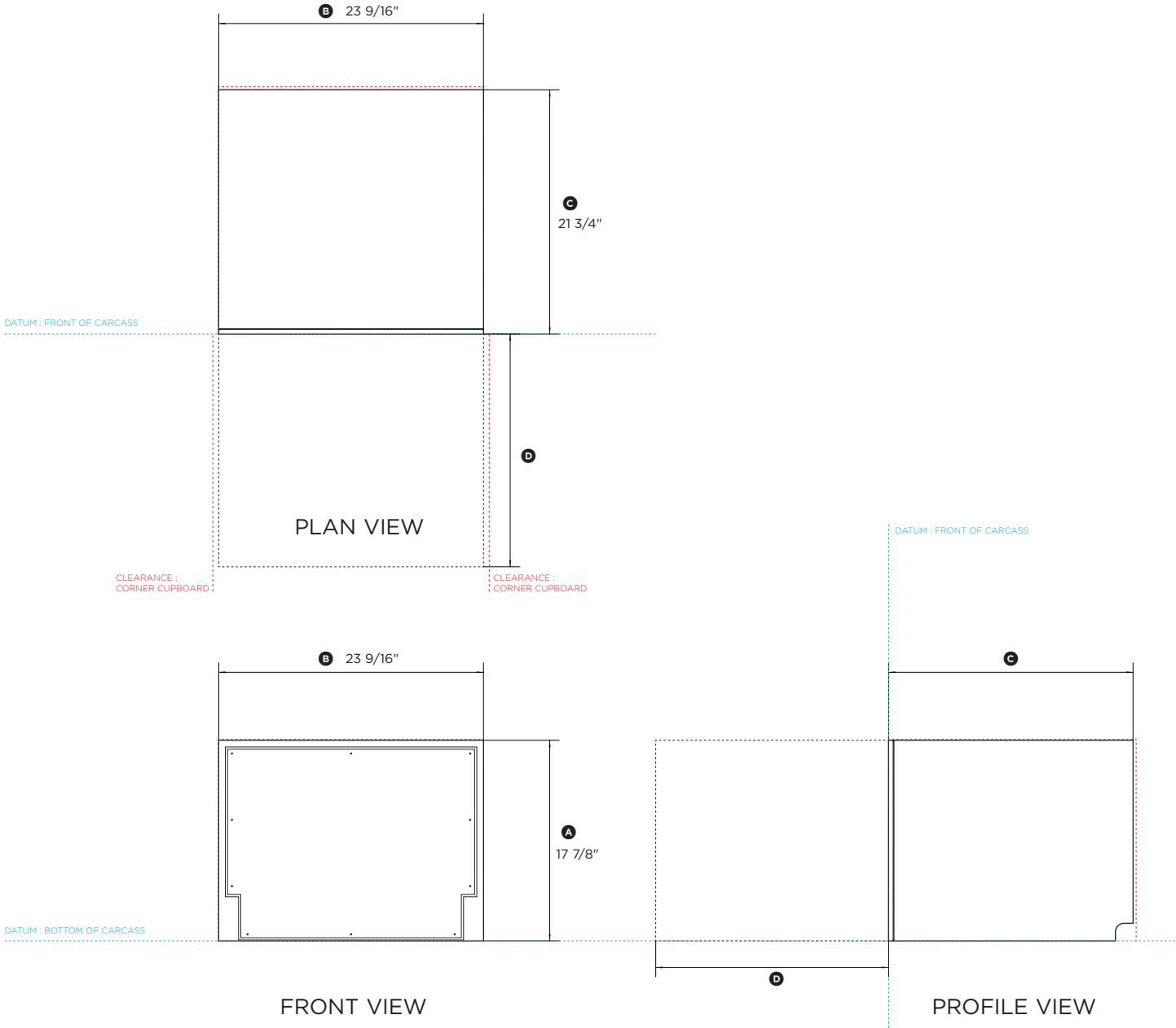
* Does not include the custom drawer panel or handle to be manufactured and fitted by cabinetmaker.

Note: Service outlet at rear extends both sides, hoses and cords can be routed to either or both.

Minimum Clearances	in
Minimum inside height of cavity from bottom datum**	18"
Minimum inside width of cavity	23 5/8"
Minimum inside depth of cavity from front datum	22 1/16"
Minimum height of ventilation gap under custom drawer panel with external venting kit installed	1/16"
Minimum gap from top of custom drawer panel to bottom of benchtop	1/16"
Minimum clearance from a corner cupboard	1/2"

** This Dishdrawer™ has also been designed to fit a 18 7/8" high cavity. For full details please refer to the installation manual.

NOTE: If using External Venting Kit and venting into the toekick area, a minimum toekick height of 4" is required to prevent pooling of condensation.

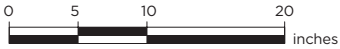


INDICATES CABINETRY / PRODUCT DATUM -----

INDICATES CABINETRY CLEARANCES -----

DATE: 28.05.2018

IMPORTANT NOTE: Throughout this guide, dimensions may vary by ±2mm (1/16"). Please read the installation manual for detailed information on installing the product. For full installation instructions & specifications visit fisherpaykel.com



18" CAVITY HEIGHT

FISHER & PAYKEL

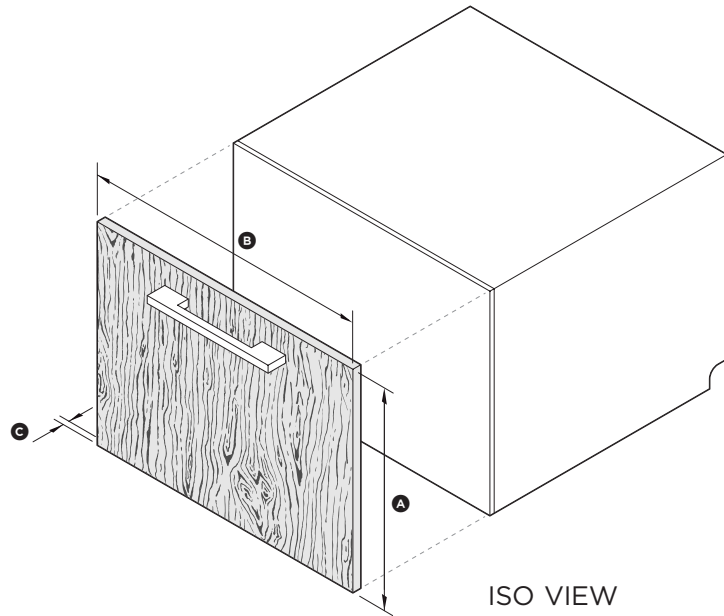
CUSTOM PANEL PREPARATION 24" Single DishDrawer™ Panel Ready Tall

Model no:
DD24STI9_N
DD24SHTI9_N
(refer page 4 for metric measurements)

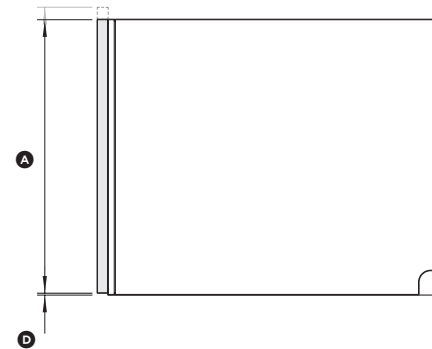
Dimensions	in
Ⓐ Minimum height of drawer panel*	17 13/16"
Ⓑ Width of drawer panel	23 7/16" - 24 3/16"
Ⓒ Depth of front panel	5/8" - 13/16"
Ⓓ Minimum height of ventilation gap below front panel	1/16"
Maximum weight of each drawer panel (including handle)	20lb

* For 18" cavity height and 1/16" ventilation gap below drawer panel with external venting kit installed. Drawer panel may be extended upwards to fit taller cavity. See installation instructions for full clearance details.

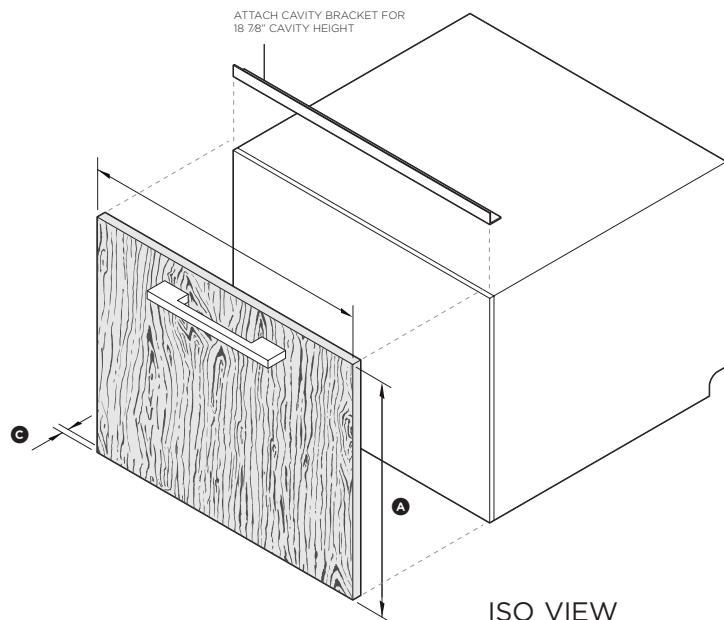
NOTE: If using External Venting Kit and venting into the toekick area, a minimum toekick height of 4" is required to prevent pooling of condensation.



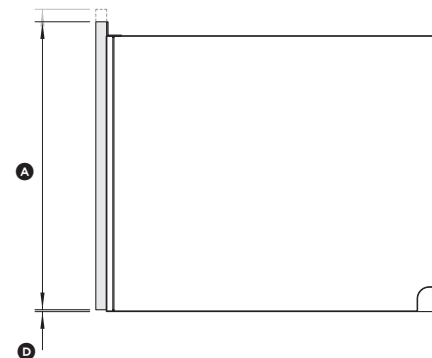
ISO VIEW



PROFILE VIEW



ISO VIEW



PROFILE VIEW

18 7/8" CAVITY HEIGHT

Dimensions	in
Ⓐ Minimum height of drawer panel*	18 3/4"
Ⓑ Width of drawer panel	23 7/16" - 24 3/16"
Ⓒ Depth of front panel	5/8" - 13/16"
Ⓓ Minimum height of ventilation gap below front panel	1/16"
Maximum weight of each drawer panel (including handle)	20lb

* For 18 7/8" cavity height and 1/16" ventilation gap below drawer panel with external venting kit installed. Drawer panel may be extended upwards to fit taller cavity. See installation instructions for full clearance details.

NOTE: If using External Venting Kit and venting into the toekick area, a minimum toekick height of 4" is required to prevent pooling of condensation.

DATE: 28.05.2018

IMPORTANT NOTE: Throughout this guide, dimensions may vary by ±2mm (1/16"). Please read the installation manual for detailed information on installing the product. For full installation instructions & specifications visit fisherpaykel.com

FISHER & PAYKEL

DATA SHEET 24" Single DishDrawer™ Panel Ready Tall

Model no:

DD24STI9_N

DD24SHTI9_N

(refer page 1 for imperial measurements)

Product Dimensions	mm
Ⓐ Overall height* of DishDrawer™	454
Ⓑ Overall width* of DishDrawer™	599
Ⓒ Depth of DishDrawer™ chassis*	553
Ⓓ Depth of drawer (open) (measured from front datum)*	527

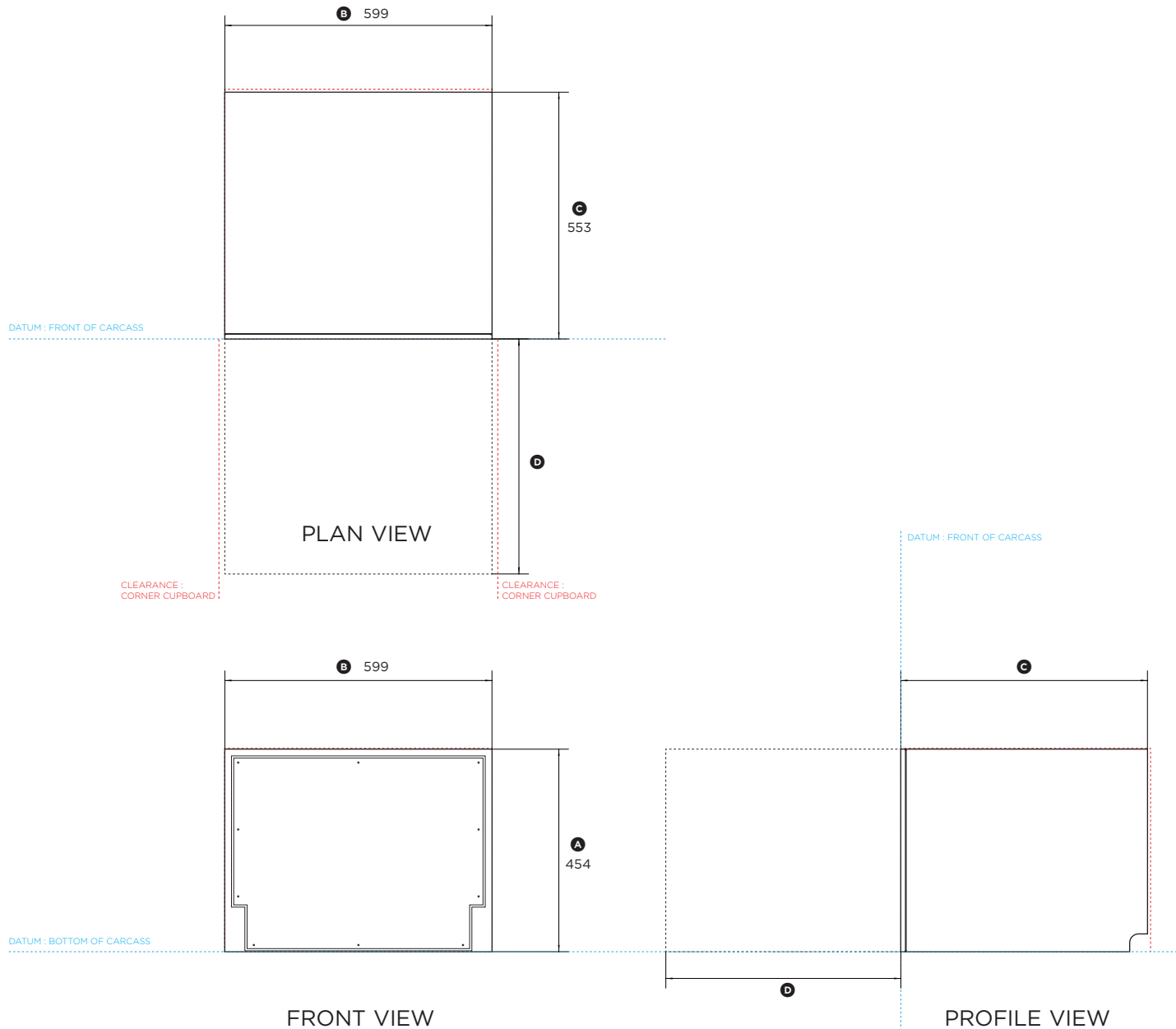
* Does not include the custom drawer panel or handle to be manufactured and fitted by cabinetmaker.

Note: Service outlet at rear extends both sides, hoses and cords can be routed to either or both.

Minimum Clearances	mm
Minimum inside height of cavity from bottom datum**	456
Minimum inside width of cavity	600
Minimum inside depth of cavity from front datum	560
Minimum height of ventilation gap under custom drawer panel with external venting kit installed	2
Minimum gap from top of custom drawer panel to bottom of benchtop	2
Minimum clearance from a corner cupboard	13

** This Dishdrawer™ has also been designed to fit a 480mm high cavity. For full details please refer to the installation manual.

NOTE: If using External Venting Kit and venting into the toekick area, a minimum toekick height of 100mm is required to prevent pooling of condensation.



INDICATES CABINETRY / PRODUCT DATUM -----
INDICATES CABINETRY CLEARANCES -----

DATE: **28.05.2018**

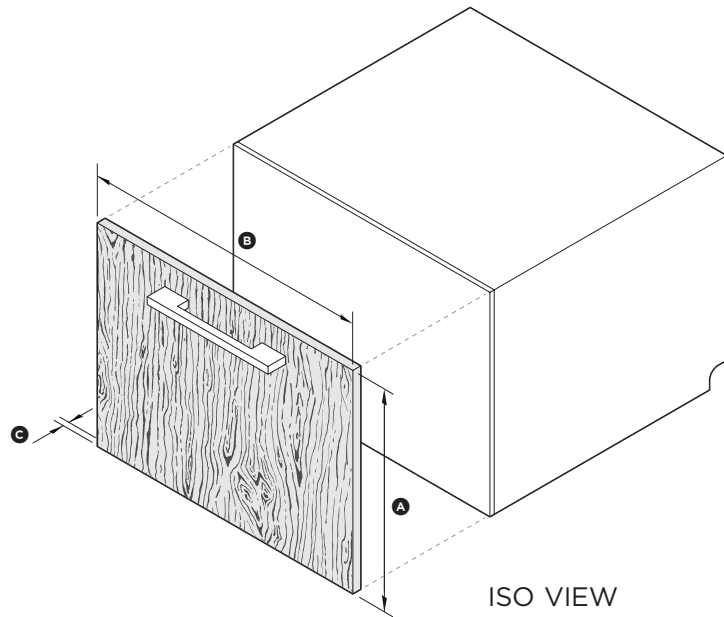
IMPORTANT NOTE: Throughout this guide, dimensions may vary by $\pm 2\text{mm}$ (1/16"). Please read the installation manual for detailed information on installing the product. For full installation instructions & specifications visit fisherpaykel.com



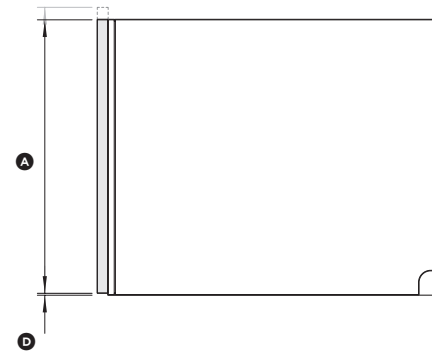
FISHER & PAYKEL

CUSTOM PANEL PREPARATION 24" Single DishDrawer™ Panel Ready Tall

456mm CAVITY HEIGHT



ISO VIEW



PROFILE VIEW

Model no:

DD24STI9_N

DD24SHTI9_N

(refer page 2 for imperial measurements)

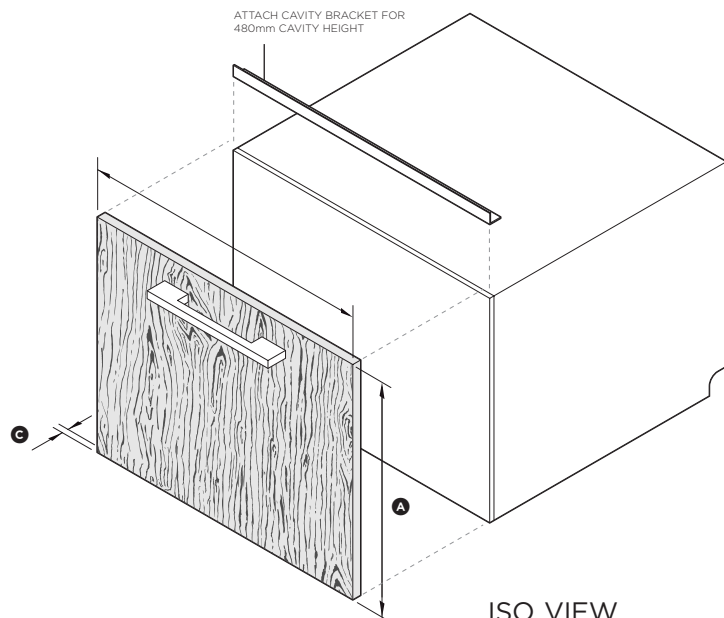
Dimensions	mm
Ⓐ Minimum height of drawer panel*	452
Ⓑ Width of drawer panel	596 - 615
Ⓒ Depth of front panel	16-20
Ⓓ Minimum height of ventilation gap below front panel	2

Maximum weight of each drawer panel (including handle) 9 kg

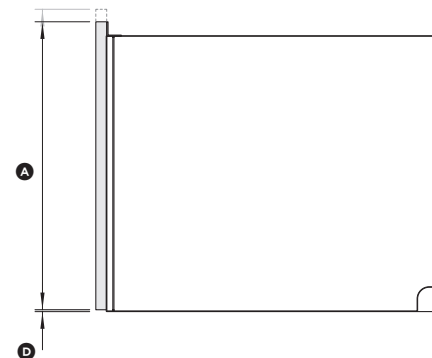
* For 456mm cavity height and 2mm ventilation gap below drawer panel with external venting kit installed.
Drawer panel may be extended upwards to fit taller cavity. See installation instructions for full clearance details.

NOTE: If using External Venting Kit and venting into the toekick area, a minimum toekick height of 100mm is required to prevent pooling of condensation.

480mm CAVITY HEIGHT



ISO VIEW



PROFILE VIEW

Dimensions	mm
Ⓐ Minimum height of drawer panel*	476
Ⓑ Width of drawer panel	596 - 615
Ⓒ Depth of front panel	16-20
Ⓓ Minimum height of ventilation gap below front panel	2

Maximum weight of each drawer panel (including handle) 9 kg

* For 480mm cavity height and 2mm ventilation gap below drawer panel with external venting kit installed.
Drawer panel may be extended upwards to fit taller cavity. See installation instructions for full clearance details.

NOTE: If using External Venting Kit and venting into the toekick area, a minimum toekick height of 100mm is required to prevent pooling of condensation.

DATE: 28.05.2018

IMPORTANT NOTE: Throughout this guide, dimensions may vary by ±2mm (1/16"). Please read the installation manual for detailed information on installing the product. For full installation instructions & specifications visit fisherpaykel.com