

# Insert Range Hood, 36"

Series 5 | Integrated

Stainless Steel

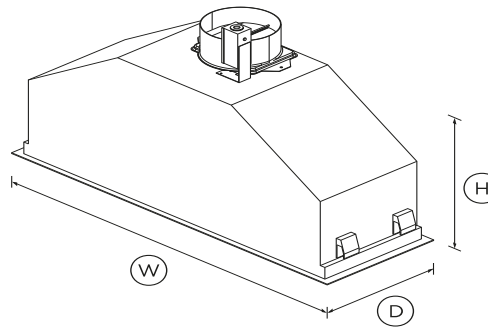


With edge-to-edge extraction, this efficient, stylish range hood is perfectly hidden away in your cabinetry.

- With four fan speeds, select the perfect extraction rate for your cooking
- Perimeter extraction creates a stylish look with efficient removal of steam and odors
- Powerful 600CFM maximum airflow

## DIMENSIONS

Height	12 <sup>3</sup> / <sub>8</sub> "
Width	32 <sup>11</sup> / <sub>16</sub> "
Depth	11 "



## FEATURES & BENEFITS

### Quiet and effective

This vent hood features four fan speeds providing powerful extraction to quickly remove odours and steam. As odors can linger in the kitchen well after cooking is finished, the timer keeps the vent hood working for up to 15 minutes before automatically turning off.

## SPECIFICATIONS

## Accessories

Light bulb	791961
------------	--------

## Fan ratings

Maximum air movement	600CFM
Maximum sound rating	67dBA
Speed 3 sound rating	63dBA

## Installation and cleaning

Air outlet size	6"
Dishwasher safe filters	3
Ducted	Top extraction

## Performance

Extraction type	Perimeter
Fan speeds	4
Filter type	Mesh
Number of filters	3

## Power requirements

Lighting power	2 x 50WW
Motor power	530W
Supply frequency	60Hz
Supply voltage	120V
Total Power	630W

## Product dimensions

Depth	11 "
Height	12 <sup>3</sup> / <sub>8</sub> "
Width	32 <sup>11</sup> / <sub>16</sub> "

---

**Product information**Control type **Soft-touch buttons**

---

**Ventilation features**Light type **LED 2 x 5.5W**Timer function **.**

---

**Warranty**Parts and labor **2 years**

---

SKU **50087**

---

TEST The product dimensions and specifications in this page apply to the specific product and model. Under our policy of continuous improvement, these dimensions and specifications may change at any time. You should therefore check with Fisher & Paykel's Customer Care Centre to ensure this page correctly describes the model currently available. ? Fisher & Paykel Appliances Ltd 2020

---

**Other product downloads available at fisherpaykel.com**[User Guide](#)[Installation Guide](#)[Installation Guide](#)[Resources \(zip\)](#)**A PEACE OF MIND SALE****24 Hours 7 Days a Week Customer Support****T 1.888.936.7872 W www.fisherpaykel.com**