

Induction Range, 30", 4 Zones with SmartZone, Self-cleaning

Series 9 | Professional

Stainless Steel

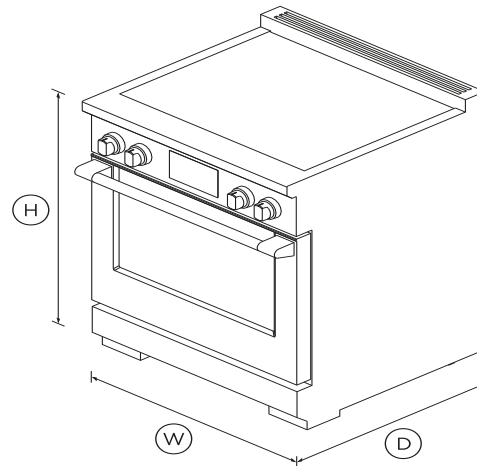


With intuitive touchscreen, induction cooktop and a convection oven with 15 functions, cooking on this refined range is a joy.

- Guided cooking using your touchscreen makes it simple to cook by food, function or recipe.
- Ability to pair two of the four induction cook zones to create a large SmartZone
- 4 cu ft total oven capacity
- Beautiful LED halo-illuminated dials provide information at a glance

DIMENSIONS

Height	35 ³ / ₄ - 36 ³ / ₄ "
Width	29 ⁷ / ₈ "
Depth	29 ¹ / ₈ "



FEATURES & BENEFITS

Cook with confidence

Our touchscreen interface provides an intuitive guided cooking experience that helps deliver perfect results, whether you've been cooking all your life or just starting out. Cook with a favorite method, a hero ingredient, or a go-to cooking function or recipe. The screen tilts for improved ergonomics and optimal visibility while cooking.

Generous capacity

Featuring a generous total capacity of 4 cu ft, with enough room

to fit a 26 lb turkey, or to cook several dishes at once.

Cooking flexibility

No matter what you're cooking, you've got the right heat to get perfect results. Each of the 15 oven functions have been extensively researched and carefully designed to cater to a broad range of dishes and cooking styles. The handy food probe helps you monitor your progress.

Cooktop power

Instant and immediate control from the highest to the gentlest heat. The finely tuned cooktop controls let you sear, stir fry or simmer to perfection. Since most of the heat generated by the cooktop is transferred into cookware, induction offers an energy-efficient cooking option.

Design quality

This range has craftsmanship in every detail, with real stainless steel, high-quality glass, and beautifully weighted, halo illuminated dials. Each cavity features incandescent lights and full extension telescopic racks. From the robust legs to the powerful cooktop, this Range is built to last.

Easy to clean

The oven features a self-cleaning function and self-clean proof side racks, which don't need to be removed when using this function. The durable induction cooktop surface only needs a quick wipe after use to keep it clean.

SPECIFICATIONS

Accessories

Square handle option AH-R30

Cleaning

Pyrolytic self-clean •

Controls

- High resolution display •
- Metal illuminated dials •
- Wifi connectivity •

Supply frequency	60Hz
Supply voltage	120 - 240

SKU **81893**

Main oven features

- Broil pan •
- Capacity total (AHAM) **4cu ft**
- Capacity usable (AHAM) **3.3cu ft**
- Self cleaning •
- Shelf positions **5**
- True convection •

Product dimensions

Depth	29 1/8 "
Height	35 3/4 - 36 3/4 "
Width	29 7/8 "

TEST The product dimensions and specifications in this page apply to the specific product and model. Under our policy of continuous improvement, these dimensions and specifications may change at any time. You should therefore check with Fisher & Paykel's Customer Care Centre to ensure this page correctly describes the model currently available. ? Fisher & Paykel Appliances Ltd 2020

Main oven functions

- Bake **3500W**
- Broil **4000W**
- Clean •
- Convection broil •
- Number of main oven **15**

Rangetop features

- Gentle heat **3 settings (111°F, 158°F, 201°F)**
- Heat settings **9**
- Induction cooking technology •
- PowerBoost •
- SmartZone •
- Zone bridging •

Oven features

- Concealed element •
- Electronic oven control •
- Full extension telescopic **2**
- Internal light •
- True convection •

Rangetop Performance

Left front zone rating	1400W
Left rear zone rating	2600W
Right front zone rating	2100W
Right rear zone rating	2100W

Oven performance

- Main oven - True convection **2500W**

Safety

- Pan detection system •
- Safety time out •
- Surface hot indicators •

Warranty

- Parts and labor **Limited 2 Years Parts & Labor**

Power requirements

Other product downloads available at fisherpaykel.com



User Guide



Service & Warranty Booklet



Installation Guide



Resources (zip)



A PEACE OF MIND SALE

24 Hours 7 Days a Week Customer Support

T 1.888.936.7872 **W**www.fisherpaykel.com