

# Oven, 30", 10 Function, Self-cleaning

Series 7 | Professional

Stainless Steel

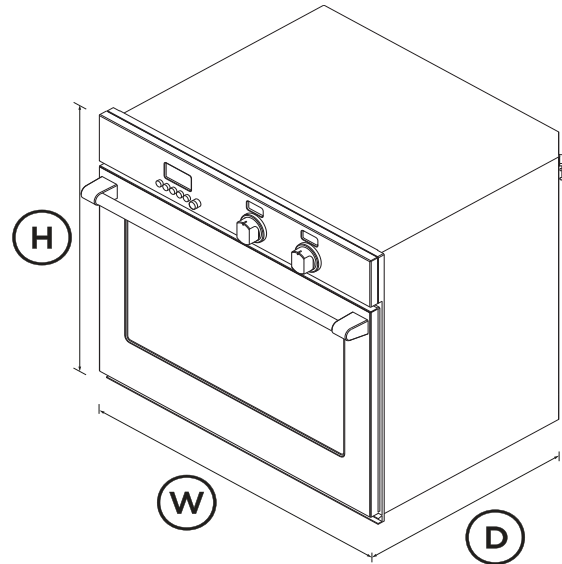


A highlight of the Fisher & Paykel range, this Series 7 oven ensures that every dish you create is cooked to perfection.

- 4.1 cu ft total capacity
- 10 oven functions including Aero™ Pastry and Roast
- High-temperature self-cleaning function breaks down food residue for an easy clean
- Non-tip, full-extension shelves for safe removal of hot dishes

## DIMENSIONS

Height	27 1/8"
Width	29 3/4"
Depth	23 15/16"



## SPECIFICATIONS

### Accessories

Food probe	1
Full extension sliding shelves	3 sets
Roast dish, splatter guard and	1
Temperature probe (included)	1

### Capacity

Shelf positions	8
Total capacity	4.1cu ft

Usable capacity	3.6cu ft
-----------------	----------

### Cleaning

- Acid resistant graphite enamel
- Pyrolytic self-clean
- Removable oven door
- Removable shelf runners

### Controls

- Automatic cooking/minute
- Automatic pre-set
- Celsius/Fahrenheit
- Concealed element
- Delay start
- Electric circuit **4 wire**
- Electronic clock
- Electronic oven control
- Halogen lights
- LED display
- Precise electronic temperature
- True convection oven
- Turbo plus fan controlled
- Turned stainless steel dials

### Functions

- Bake
- Broil
- Convection Broil
- Convection bake
- Convection pastry

Maxi Broil	•
Number of functions	<b>10</b>
Pastry Bake	•
Roast	•
Self-clean	•
True convection	•
Warm	•

Full extension sliding shelves	•
Non-tip shelves	•
Safety thermostat	•

**Warranty**

Parts and labor **Limited 2 years**

SKU **82947**

The product dimensions and specifications in this page apply to the specific product and model. Under our policy of continuous improvement, these dimensions and specifications may change at any time. You should therefore check with Fisher & Paykel's Customer Care Centre to ensure this page correctly describes the model currently available. ? Fisher & Paykel Appliances Ltd 2020

**Performance**

AeroTech™ technology	•
Automatic rapid pre-heat	•
Broil power	<b>4400W</b>
Broil width	<b>20"</b>
Convection power	<b>2500W</b>

**Power requirements**

Amperage	<b>30A</b>
Rated current	<b>30A</b>
Supply frequency	<b>60Hz</b>
Supply voltage	<b>120 - 240V</b>

**Product dimensions**

Depth	<b>23 15/16"</b>
Height	<b>27 1/8"</b>
Width	<b>29 3/4"</b>

**Safety**

ADA compliant	•
Control panel key lock	•
CoolTouch door	•

**Other product downloads available at fisherpaykel.com**

- [↓](#) Quick Start Guide
- [↓](#) User Guide
- [↓](#) Service & Warranty
- [↓](#) Installation Guide / Guide d'installation



**A PEACE OF MIND SALE**

**24 Hours 7 Days a Week Customer Support**

**T 1.888.936.7872 Wwww.fisherpaykel.com**