

# FRIGIDAIRE

FFTA142WA2

Built-In Air Conditioner

Available Colors : White

Version : 05/19

14,000 BTU Built-In Room Air Conditioner- 230V/60Hz



## Controls

|                  |              |
|------------------|--------------|
| Control Location | Center panel |
| Sleep Mode       | Yes          |
| Control Type     | Electronic   |

## Dimensions: Cut-Out

|                 |           |
|-----------------|-----------|
| Height          | 15-5/8"   |
| Width           | 25-15/16" |
| Width (Sleeve)  | 25-15/16" |
| Height (Sleeve) | 15-5/8"   |

## Electrical Specifications

|                   |                  |
|-------------------|------------------|
| Plug Type         | LCDI 6-15P       |
| Amps (Cool)       | 7.0/7.5          |
| Power Cord Length | 5-1/2'(6')       |
| Voltage Rating    | 230V / 208V 60Hz |

## Dimensions: Exterior

|        |         |
|--------|---------|
| Depth  | 20-5/8" |
| Height | 14-1/2" |
| Width  | 24"     |

## General Specifications

|                       |                                  |
|-----------------------|----------------------------------|
| Warranty              | 1 Year Full/5 Year Sealed System |
| Shipping Weight (lbs) | 99                               |
| Max Wall Thickness    | 18"                              |
| Refrigerant           | R410a                            |
| PROP 65 Label         | Yes                              |

## Performance

|                             |               |
|-----------------------------|---------------|
| Cool Area (Sq. Ft.)         | 700           |
| Energy Efficiency Ratio     | 9.4           |
| Dehumidification - Pints/Hr | 4.12          |
| Performance Certification   | AHAM          |
| BTU (Cool)                  | 14000 / 14000 |

## Accessories

|                            |   |
|----------------------------|---|
| Included Accessory         | Universal Trim Kit  |
| Unique Accessory Available | Sleeve Kit 5304514430 or 5304514429 / Outside Grille EA109T |

## Product Specifications

### AC

|                           |                                   |
|---------------------------|-----------------------------------|
| Filter Access             | Slide-Out                         |
| Fan Speed - Fan - General | 3                                 |
| Cabinet Louvers           | No                                |
| Window Mounting Kit       | No                                |
| Clean Air Ionizer         | No                                |
| Remote Control            | Full Function / Remote Thermostat |
| Noise Level dB (High)     | 62                                |
| Low Voltage Start-up      | Yes                               |
| Noise Level dB (Med)      | 59                                |
| Fan Auto                  | Yes                               |
| Fan Speeds - Cool         | 3                                 |
| Air CFM (High)            | 310                               |
| Air CFM (Med)             | 282                               |
| Motor RPM (High)          | 1570                              |
| Motor RPM (Low)           | 1320                              |
| Air CFM (Low)             | 253                               |
| Exhaust Vent              | No                                |
| Vents Closed              | Yes                               |
| Slide-Out Chassis         | No                                |
| Energy Saver              | Yes                               |
| Noise Level dB (Low)      | 57                                |
| 24-Hour On/Off Timer      | Yes                               |
| Filter Type               | Anti-Bacterial Mesh               |
| Air Direction Control     | 6-Way                             |
| Fresh Air                 | No                                |
| Filter Check              | Yes                               |
| Motor RPM (Med)           | 1450                              |

### Certifications & Approvals

|                            |        |
|----------------------------|--------|
| ENERGY STAR® Certified     | Yes    |
| Safety Certification       | UL/CUL |
| NSF® Certified             | No     |
| ADA Compliant - All Brands | No     |
| ETL Listed                 | No     |

Note: For planning purposes only. Always consult local and national electric, gas and plumbing codes. Refer to Product Installation Guide for detailed installation instructions on the web at [frigidaire.com](http://frigidaire.com) / [frigidaire.ca](http://frigidaire.ca). Specifications subject to change. Accessories information available on the web at [frigidaire.com](http://frigidaire.com) / [frigidaire.ca](http://frigidaire.ca)

### FRIGIDAIRE

USA • 10200 David Taylor Drive • Charlotte, NC 28262 • 1-800-FRIGIDAIRE • [frigidaire.com](http://frigidaire.com)  
CANADA • 5855 Terry Fox Way • Mississauga, ON L5V 3E4 • 1-800-265-8352 • [frigidaire.ca](http://frigidaire.ca)

© 2018 Electrolux Home Products, Inc.

FFTA142WA2

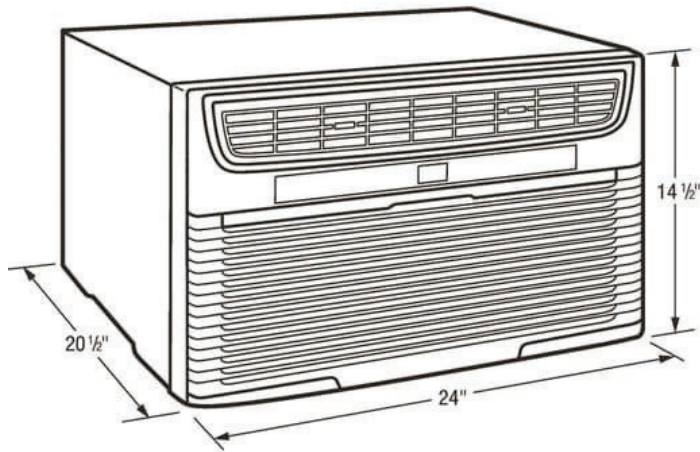
Built-In Air Conditioner

Available Colors : White

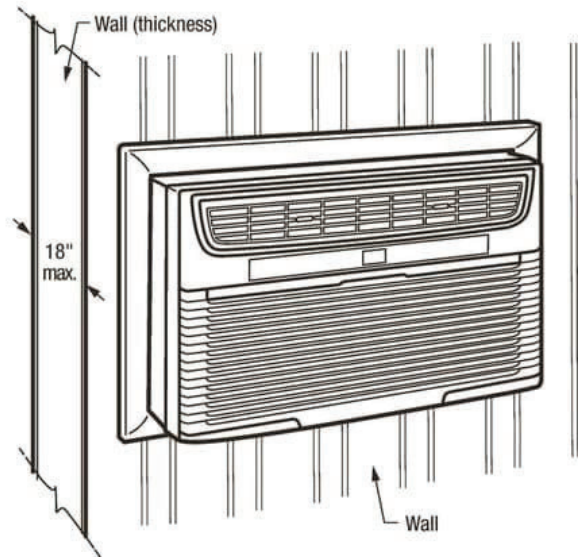
Version : 05/19

14,000 BTU Built-In Room Air Conditioner- 230V/60Hz

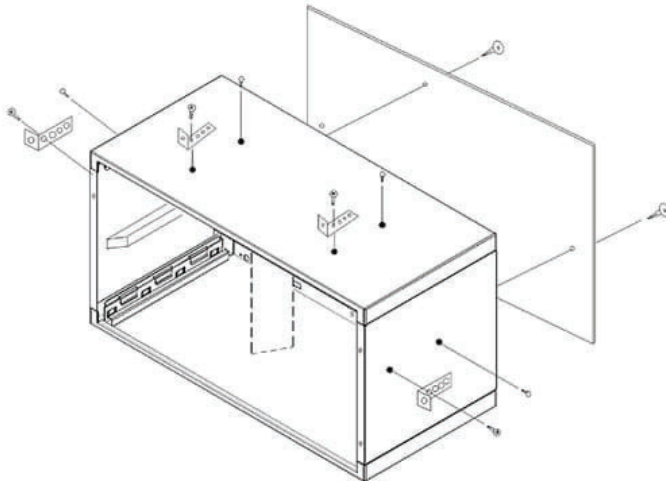
## Installation Drawing



### Through-The-Wall Installation



### Through-The-Wall 18" Sleeve Kit



Note: For planning purposes only. Always consult local and national electric, gas and plumbing codes. Refer to Product Installation Guide for detailed installation instructions on the web at [frigidaire.com/frigidaire.ca](http://frigidaire.com/frigidaire.ca). Specifications subject to change. Accessories information available on the web at [frigidaire.com/frigidaire.ca](http://frigidaire.com/frigidaire.ca)