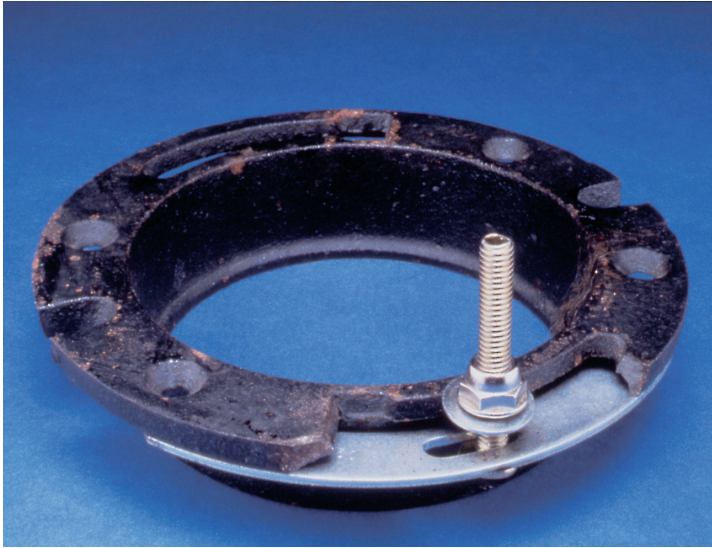


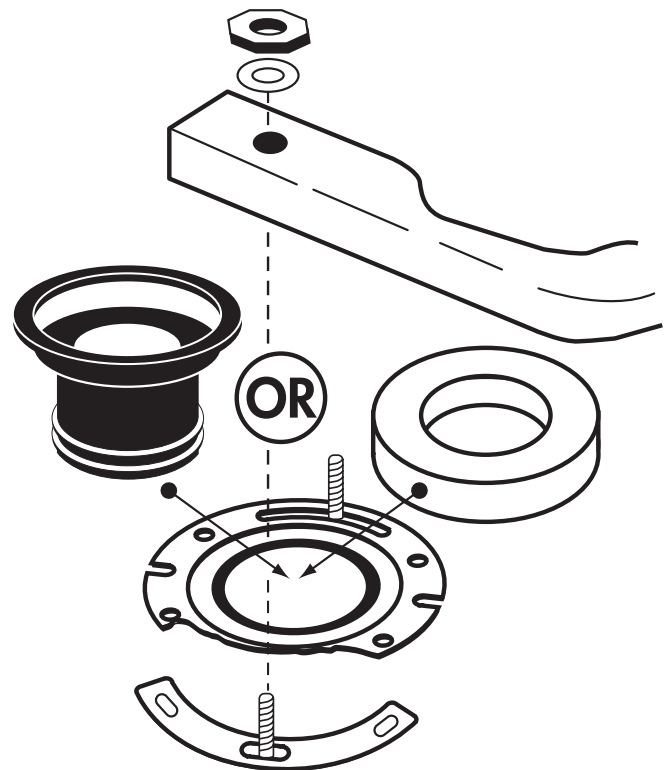
Fernco Fix-A-Flange Installation

For the repair of broken toilet flanges without costly replacement.



- Fits all cast iron, plastic, copper and brass toilet flanges.
- Fixes wobbly, leaking toilets.

1. Shut off water to toilet. Flush toilet until tank is empty.
2. Disconnect water supply.
3. Unbolt toilet, remove from floor and set aside.
4. Insert bolt through hole in Fix-A-Flange.
5. Slide Fix-A-Flange under broken portion of toilet flange.
6. Replace wax sealing ring, or use a Fernco Wax Free Toilet Seal under toilet. Connect toilet bowl & reverse steps 1, 2, 3.



*Maximum test pressure
4.3 PSI (29.6 KPA)

United States
PH: 810-653-9626
FX: 810-653-8714

www.fernco.com

Canada
PH: 519-332-6711
FX: 519-332-8610