

Foster Induction hob

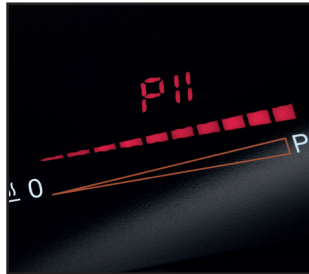
Milano Induction Bridge - **7371 945**

HIGHLIGHTS



Extended cooking area

Bridge function allow to associate two zones forming a single extended cooking area for pots of large size, or for more than one cooking simultaneously, with maximum flexibility in pot positioning.



Powerboost

Booster function [P], which provides increased power to the selected plate. In particular, when it is activated, the plate works for ten minutes at a very highpower that allows to heat quickly large quantities of water.



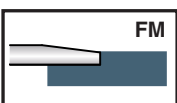
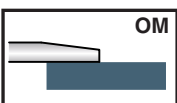
Slider control

The Slider control allows an extremely quick temperature setting: with a light touch of the finger you may select the desired power level on the TOUCH display.



T-chef

Allows to set particular temperatures (melt 70°C/158°F, simmer 94°C/201°F) and keep them constant during cooking. Elaborate preparations can be easily obtained, with chef-like results.



Bevelled edge

Special slanting edge that gives a clean and elegant finish with both the installation methods (flush-mount and overmount).

Recall

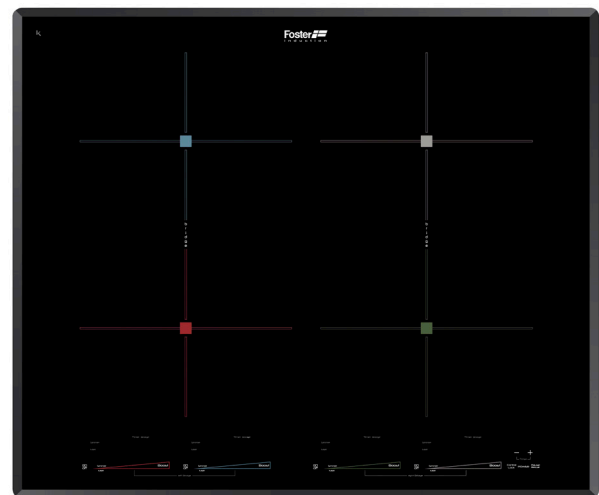
This feature allows you to call back the last settings selected in the previous cooking.

Pause

Allows you to distract your attention from cooking, interrupting and restoring the settings immediately.

Full Safety System

Centralised power-off function; Child-proof safety lock; Residual heat warning lights. Safety System that turn off the hob in the absence of the pot; Overflow detector that automatically turns off the plate in case of liquid overflow; Automatic deactivation to prevent accidents caused by forgetfulness.

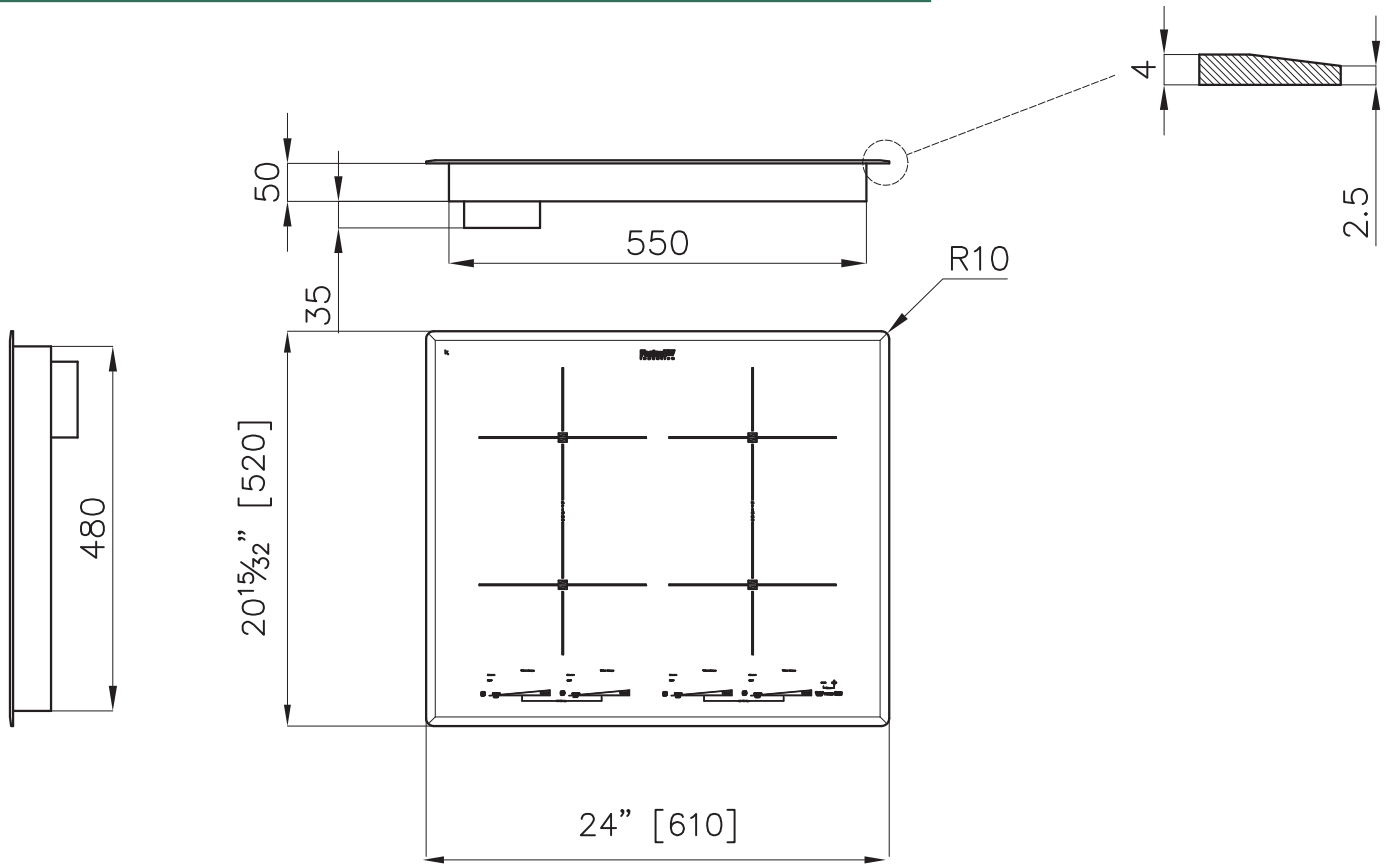


Series	S4000 bridge Induction cooker hob
Dimensions	24" x 20 15/32"
Maintop	Black ceramic glass
Edge	bevelled edge
Installation	overmount
overmount cut-out	22 3/64" x 19 19/64"
Power settings	9 settings plus powerboost
Commands	4 slider commands
Special functions	Bridge function T-chef function Pause and Recall independent timer
Security	security lock residual heat light overflow detection
Power	4 zones size 7x8" 4 x 2.100 W (3.700 Booster)
Technical requirements	
Electrical supply	208-240 V 50/60Hz

Foster Induction hob

Milano Induction Bridge - **7371 945**

DIMENSIONS



CUT OUT

22 3/64" X 19 19/64"