

Foster Cooktops

Milano cooktop 4f 33" x 22" FT - **7637 900**

HIGHLIGHTS



Performance and practicality.
The weighty enamelled cast iron grid has extraordinary dimensions, with a working surface up to 50% bigger compared to a normal domestic cooker hob.



Burners.
The state-of-art european technology: high efficiency, power and precise control. The AE dual burner allows ultra-high and ultra-low temperatures thanks to two independent crowns of fire.



Metal Knobs.
Exclusive and original the Foster metal knobs are an example of the strength and quality of the materials used. A distinctive feature shared by all the Foster elements in this collection, to form an elegant uniformity in the kitchen.



Safe Cooking.
All Foster cooker hobs are equipped with safety valves. These shut off the gas supply very quickly if the flame accidentally goes out. The utmost freedom of movement it is guaranteed by the electronic under knob ignition that allows a one-hand movement.



Flush/mount installation.
The flush-mount cooker hobs have no vertical edge, and they can be sunk into a recess in the worktop's surface (fm), or simply placed on the worktop like a standard built-in product (om).



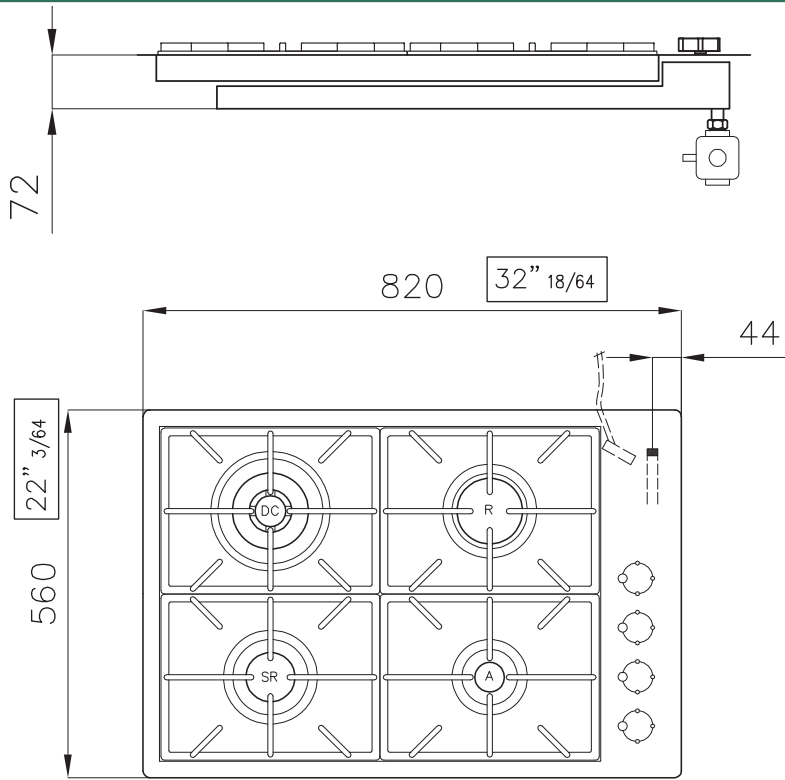
Series	Foster Milano
Model	Milano cooktop 4f 33" x 22" FT
Dimensions	32 18/64" x 22 3/64"
Maintop	AISI 304 Stainless Steel
finish	Satin Finish
Kind of Edge	1 mm - flush edge
Installation	Flush-mount or overmount
flush-mount cut-out	see cut-out drawing
overmount cut-out	31 1/2" x 21 17/64"
Grids	Enamelled cast iron
hob controls	Knobs
Knobs	solid Metal
Safety	Safety valves
Total power Btu/h	40,350 Btu/h
burners	4
Dual	15,500 Btu/h
rapid	10,750 Btu/h
semirapid	9,100 Btu/h
auxiliary	5,000 Btu/h
Simmer ring	2
Simmer Rate	900 Btu/h
Technical requirements	
Electrical supply	120V 60Hz
Gas std setting	Natural Gas
LP Gas conversion	kit for all burners included
Optional accessories	Cast iron wok support

Certifications **CSA certified for US & Canada**

Foster Cooktops

Milano cooktop 4f 33" x 22" FT - **7637 900**

DIMENSIONS



CUT OUT

