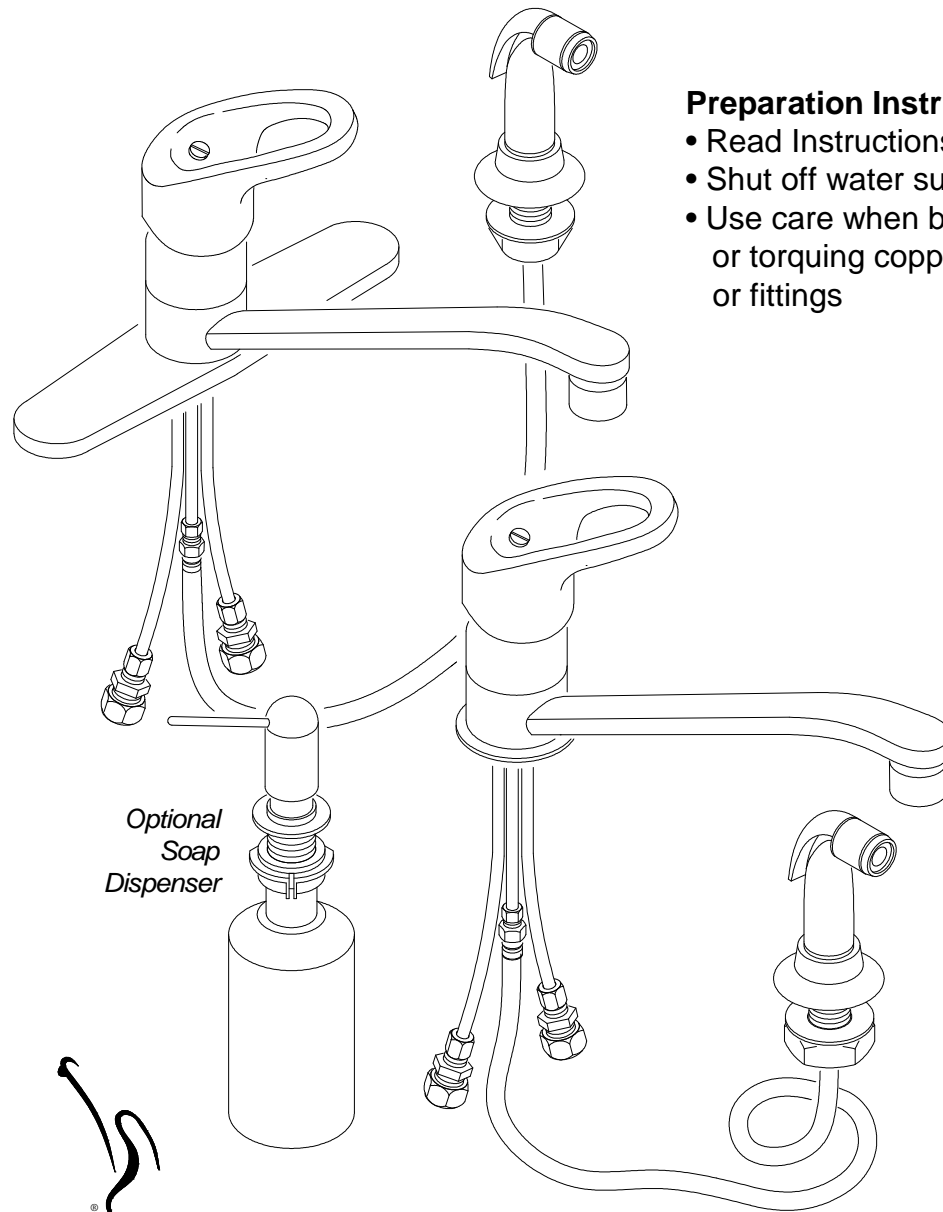


Instruction Manual

40-100 Series

40-101 Series

SINGLE HANDLE KITCHEN FAUCET



Preparation Instructions:

- Read Instructions
- Shut off water supply
- Use care when bending or torquing copper tubes or fittings

*Optional
Soap
Dispenser*



GERBER

**PROFESSIONALLY MADE, PROFESSIONALLY SOLD,
PROFESSIONALLY INSTALLED**

Gerber Plumbing Fixtures Corp.

4600 West Touhy Avenue, Lincolnwood, IL 60712

(847) 675-6570

fax: (847) 675-5192

www.gerberonline.com

CAUTION:

*Do not use scouring pads,
acid-based chemicals, or abrasive
cleaners to clean your faucet!
This will cause damage to the
plated or painted finishes!*

0008066

© 2002 Gerber Plumbing Fixtures Corp.

Kitchen Faucet Installation

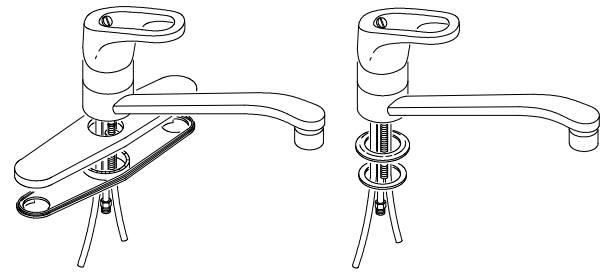
1. Turn off the hot and cold water supplies or the main supply line. To protect your sink and counter top from tool damage, place protective matting around the work area. For mounting faucet on sink ledge with three holes, position putty plate over center hole. For single hole center mount, position circular base with rubber gasket over hole.

2. Place faucet in its normal mounted position and center over the putty plate. **⚠ Don't straighten out the copper tubes.** If threaded tube adapters are provided, install the faucet through the deck before attaching the adapters to the end of the tubes. For three hole deck plate installation, insert the threaded mounting screw through the deck plate tab and attach the retaining clip to the screw.

3. Slide the copper tubes through the sink deck hole with the threaded mounting screw to the front of you. From the underside of the sink, slip the mounting clip over the threaded mounting screw followed by the spacer. Use the hex nut to tighten the spacer and mounting screw. Use a 7/16 deep well socket to tighten.

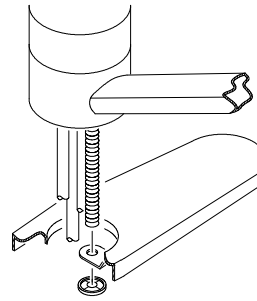
⚠ If you have a spray hose follow steps 5 and 6 and then return to step 4.

4. Connect the hot and cold water supply lines to the copper faucet tubes with compression or other acceptable connections. The cold inlet line is on the right as you face the faucet. Remove the aerator and flush lines for one minute.

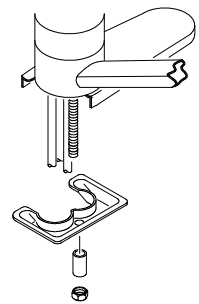


Three hole mount

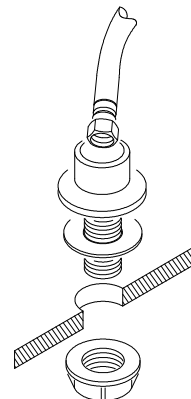
Single hole mount



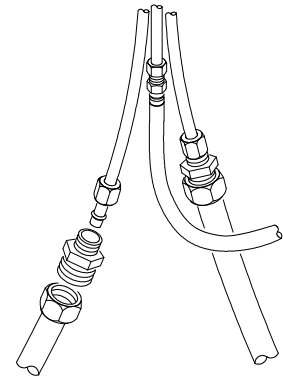
Retaining clip



Mounting Clip



Guide assembly



Hose Assembly

Hose and Soap Dispenser

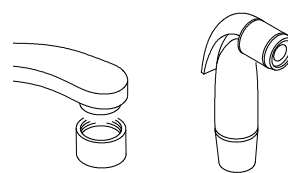
5. **For Spray Hose:** Install the hose guide using plumber's putty. Insert the hose guide through the chosen hole. From under the sink, attach the mounting nut and hand tighten.

6. Insert the spray hose down through the guide and thread to the spray tube fitting underneath the sink. Tighten both fittings with wrenches.

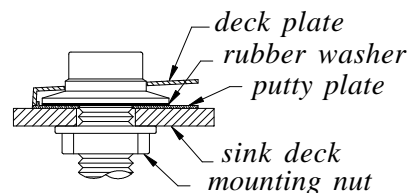
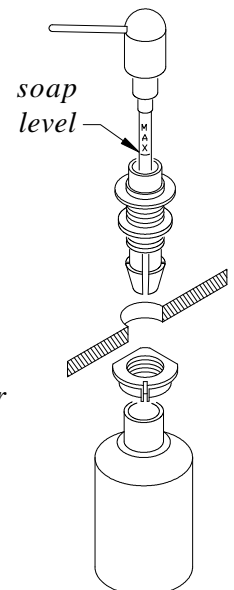
7. **For Soap Dispenser:** Place the rubber washer onto the connector. Insert the connector through the deck mounting hole. Attach the mounting nut / hand tighten.

8. Attach the 15 Fl. oz. bottle onto the connector by passing the four lugs of the connector through the bottle neck. Fill the bottle through the connector top.

9. Insert the head pump and tube assembly into the connector and pump the head several times.



Remove aerator and flush all lines

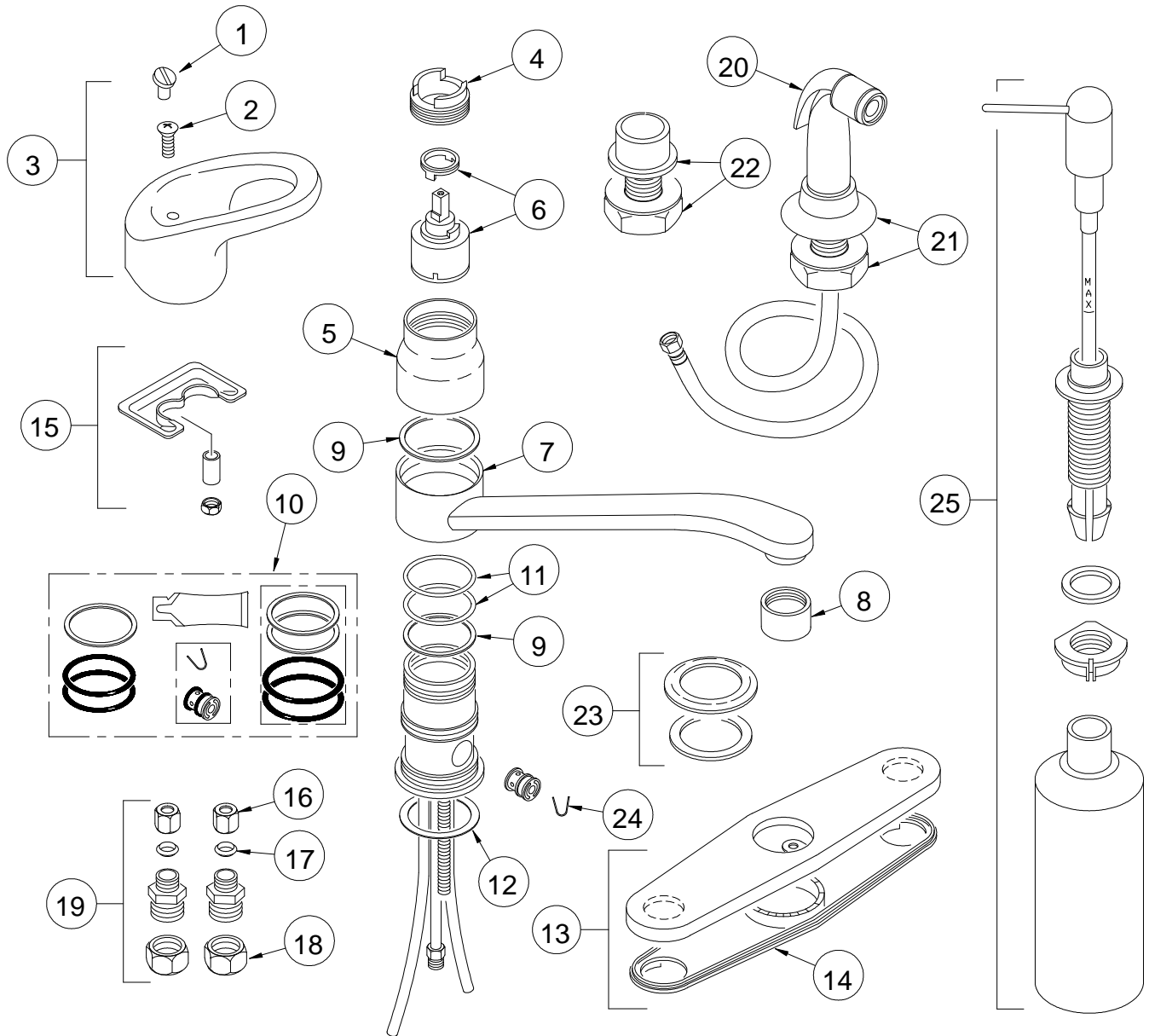


Deck plate assembly for:
2 and 3 hole hose guide & Soap connector

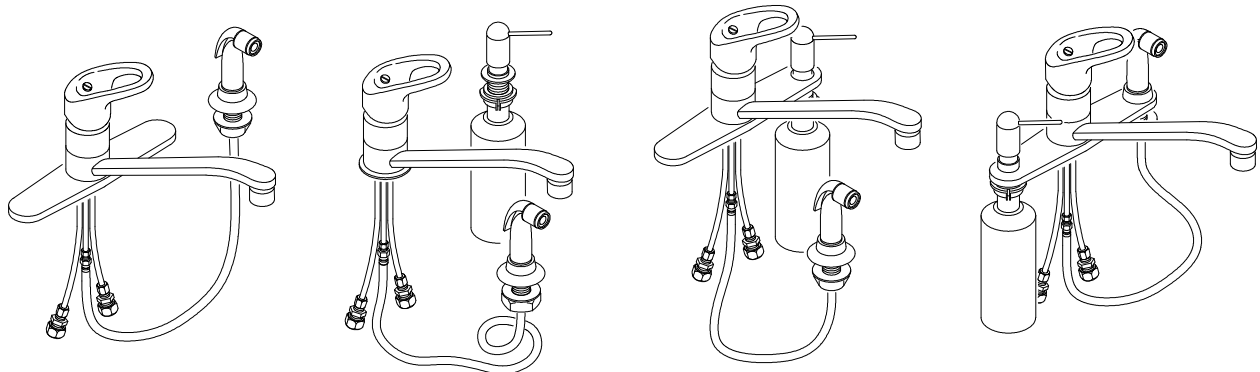
The Anatomy of Your GERBER Product

See the next page for item identification. Thank you for buying GERBER products!

NOTE: All ballooned items are serviceable parts. Any item not identified with a balloon must be purchased as a complete assembly.



Gerber has optional styles to meet your every need.



GERBER *Parts Identification Chart*

Be sure that you're buying genuine Gerber replacement parts!

#	DESCRIPTION	UN-FINISHED	CHROME	or BISCUIT	or WHITE
1	HANDLE BUTTON	92-276			
2	HANDLE SCREW	92-327			
3	HANDLE ASSEMBLY		98-512	A8-512	W8-512
4	NUT	93-327			
5	BRASS CAP		93-307	A3-307	W3-307
6	CERAMIC CARTRIDGE	92-298			
7	SPOUT		93-310	A3-310	W3-310
8	AERATOR		93-316	A3-316	W3-316
9	FRICITION RING (QTY 2)	93-304			
10	O-RINGS & DIVERTER / CLIP S/A	98-525			
11	SPOUT O-RING (QTY 2)	93-306			
12	ESCUTCHEON FRICTION WASHER	93-305			
13	1 HOLE DK PLT & PTY PLT		98-502	A8-502	W8-502
	2 HOLE DK PLT & PTY PLT (SPRAY or DISPENSER)		98-503	A8-503	W8-503
	3 HOLE DK PLT & PTY PLT (SPRAY and DISPENSER)		98-504	A8-504	W8-504
14	PUTTY PLATE	93-338			
15	MOUNTING KIT S/A	98-509			
16	FERRULE NUT	91-009			
17	FERRULE	91-003			
18	SUPPLY NUTS (QTY 2)	97-819			
19	CMPRSN TO IPS ADPTR KIT S/A	98-514			
20	SPRAY & HOSE		94-111	A4-111	W4-111
21	BLACK HOSE GUIDE & NUT W / FLANGE	98-360			
21	HOSE GUIDE & NUT W / FLANGE		98-361	A8-361	W8-361
22	HOSE GUIDE & NUT L / FLANGE		93-347	A9-011	W9-011
23	SINGLE HOLE ROUND ESCUTCHEON AND GASKET		98-501	A8-501	W8-501
24	SPRING CLIP	90-119			
25	SOAP / LOTION DISPENSER		93-375	A3-375	W3-375

GERBER PLUMBING FIXTURES BRASS WARRANTY

LIMITED LIFETIME WARRANTY - RESILIENCE™ (PVD) FINISHES GPF warrants that products with Resilience™ (PVD) Polished Brass and Brushed Nickel finishes will be free from defects in material and workmanship of the finish for as long as it is owned by the original purchaser. If the Resilience (PVD) finish proves defective upon inspection by GPF after the unit has been returned, then GPF will repair or replace such part, at GPF's option, free of charge.

LIMITED LIFETIME WARRANTY - CERAMAFLOW™ CERAMIC DISC CARTRIDGE - GPF warrants that the ceramic disc cartridge (the valve control of the faucet) will not leak or drip for as long as it is owned by the original purchaser. If the ceramic disc cartridge malfunctions or proves defective upon inspection by GPF after the valve has been returned, then GPF will repair or replace such part, at GPF's option, free of charge.

TEN (10) YEAR LIMITED WARRANTY - COMPRESSION/WASHERLESS CARTRIDGE - GPF warrants that the washerless or compression type cartridge (the valve control of the faucet) will not leak or drip for a period of ten (10) years from the date of original purchase, as shown on the original consumer-purchaser's receipt. If the

washerless or compression type cartridge malfunctions or proves defective upon inspection by GPF after the valve has been returned, during the 10-year warranty period, then GPF will repair or replace such part, at GPF's option free of charge. This Ten (10) Year Limited Warranty only applies to repair or replacement of defective washerless or compression type cartridges. Normal wear of washers, seats, o-rings, sealants and lubricants is not subject to the 10-Year Warranty.

TWO (2) YEAR LIMITED WARRANTY ON OTHER PARTS -

GPF warrants to the original consumer-purchaser of this product that for a period of two (2) years from the date of original purchase, this product will be free from defects in material and workmanship under normal, reasonable use in accordance with product instructions. All faucets installed in accepted commercial installations carry a one (1) year limited warranty.

All labor, shipping, and freight costs and any other charges incidental to warranty and service are to be borne by the original consumer-purchaser. GPF agrees, at GPF's option, to repair or replace this product or any part thereof, which proves, upon inspection by GPF after such product is returned, to be defective in material or workmanship.

GPF will not be liable for any labor, shipping, freight, or any other charges incurred by the original consumer-purchaser in acting upon the above warranties. Installation or use of the faucet or valve not in accordance with product instructions or improper use, abuse or neglect of, or accident to, the faucet or valve will void the above warranties.

To receive replacement or repair of either the ceramic disc cartridge, washerless or compression type cartridge or another part of this product, send the defective part, together with the original sales receipt or a copy thereof, showing the date of purchase, to:

Gerber Plumbing Fixtures Corp.
1514 W. Washington Street
Delphi IN 46923
ATTN: Customer Service
or call: (847) 675-6570

If the Federal Consumer Product Warranties Act applies to the original purchaser of this product, then any implied warranties which may be applicable under state law, such as any implied warranty of merchantability or any implied warranty of fitness for a particular purpose, are limited with respect to the ceramic disc cartridge to twenty (20) years, washerless or compression type cartridge to ten (10) years and with respect to all other parts to two (2) years.

Other than as described above, GPF disclaims any and all other warranties, express or implied, including any warranties of merchantability or fitness for a particular purpose. In no event shall Gerber Plumbing Fixtures Corp. be liable to anyone for incidental or consequential damages.

The above warranties give you specific legal rights, and you may also have other rights which vary from state to state. Certain federal and state laws may limit or disallow disclaimers of incidental or consequential damages and/or limitations on implied warranties.
December 2000