



### Features:

- Chrome finish
- Brass construction
- 1/2" IPS female water supply connection
- For attachment of ADA shower system

### Standards & Certifications:

None

### Catalog Numbers:

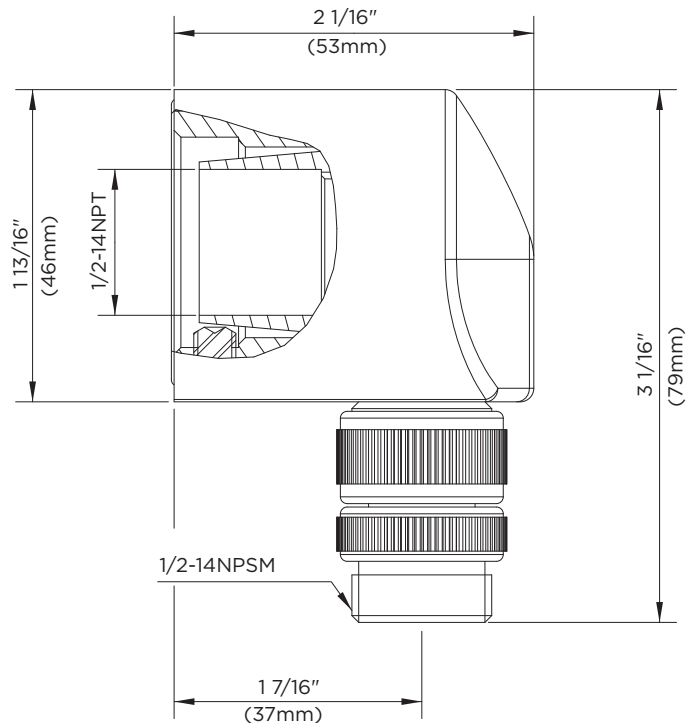
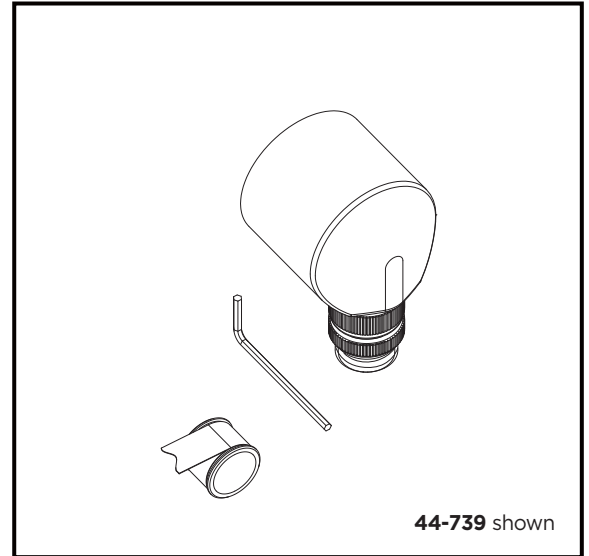
**44-739** Shower elbow

### Prefixes Available:

None

### Suffixes Available:

None



|                    |  |
|--------------------|--|
| Job Name           |  |
| Date               |  |
| Model Specified    |  |
| Quantity           |  |
| Customer           |  |
| Contractor         |  |
| Architect/engineer |  |