



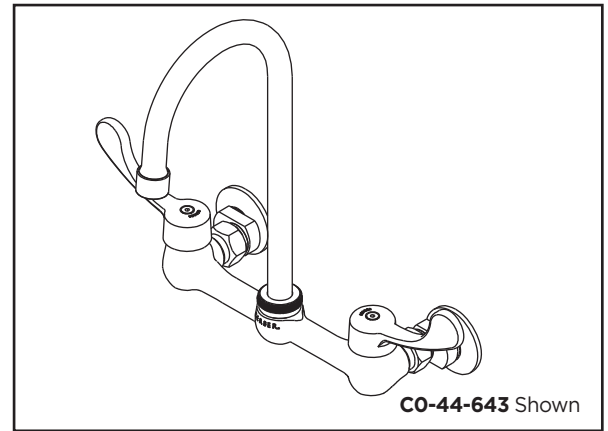
GERBER

C0-44-343 Series Commercial Faucet Two Handle Kitchen Faucet



Features:

- Solid cast brass housing
- Choice of Vandal proof Lever or Wrist blade metal handles
- Color-coded handle screws
- 12" hi arc swing spout
- Ceramic disc cartridges
- Threaded Escutcheons
- 8" centers for mounting +/- 1" for adjustment
- 1.75 gpm (6.6 L/min) maximum aerator G0091843 @ 60 psi
- 1/2" NPT supply connection w/brass connections
- Lead free waterway per NSF/ANSI 372
- Complies with ADA requirements
- Meets CEC requirements

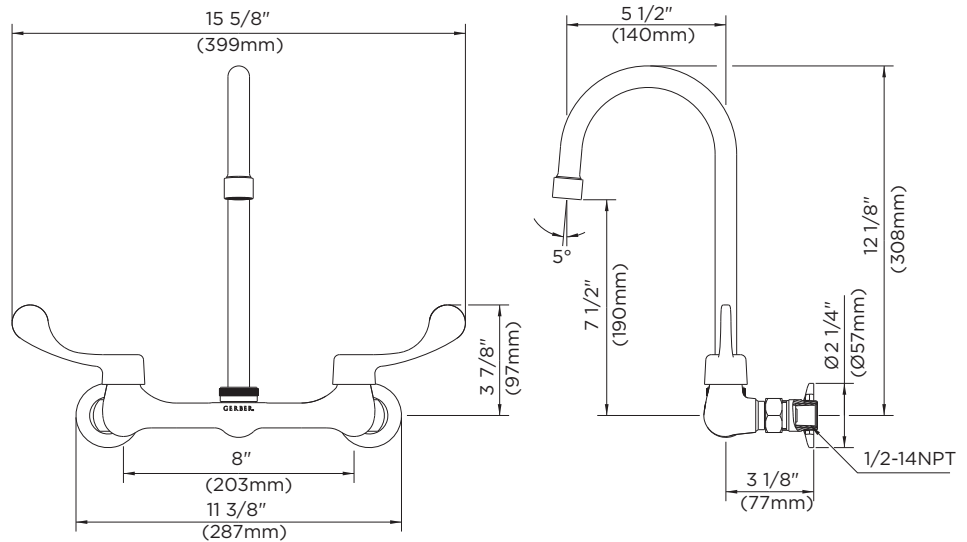


Standards & Certifications:

- ASME A112.18.1M
- NSF/ANSI 372
- ICC/ANSI A117.1
- IAPMO/cUPC

Catalog Numbers:

- C0-44-343** Wrist blade handles,
12" Hi Arc Swing Spout
- C4-44-343** Lever handles,
12" Hi Arc Swing Spout



Prefixes Available:

- C4 = Metal Lever Handle
C0 = Wrist Blade Handles

Suffixes Available:

None

Job Name	
Date	
Model Specified	
Quantity	
Customer	
Contractor	
Architect/engineer	

Gerber Toll Free Technical Support: 888-648-6466
www.gerberonline.com