

### SPECIFICATIONS



#### Features/Benefits

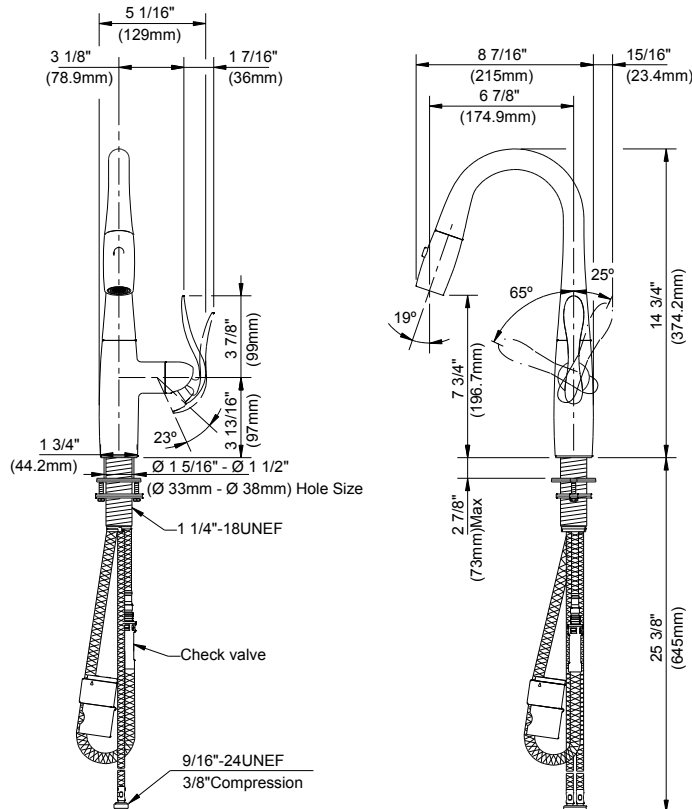
- SnapBack® Retraction System
- Easily Adjustable GripLock® Weight
- 14 3/4" Spout Height, 6 7/8" Spout Reach
- 1.75 gpm (6.6 L/min) Max Flow @ 60 psi
- 2 Function Spray/Aerated Stream
- Ceramic Disc Cartridge
- 300 Degree Swivel Spout
- Single Hole Installation
- Optional Deck Plate, DA667229(4") or DA665051 (8"), Sold Separately

#### Available Color/Finishes

Chrome

Please see [gerberonline.com](http://gerberonline.com) or current price list for available finishes. Finish is defined by additional suffix.

#### Standards & Certifications



#### Submittal Information:

Name: \_\_\_\_\_  
 Location: \_\_\_\_\_

Contractor: \_\_\_\_\_  
 Contact #: \_\_\_\_\_