

SPECIFICATIONS

Features/Benefits



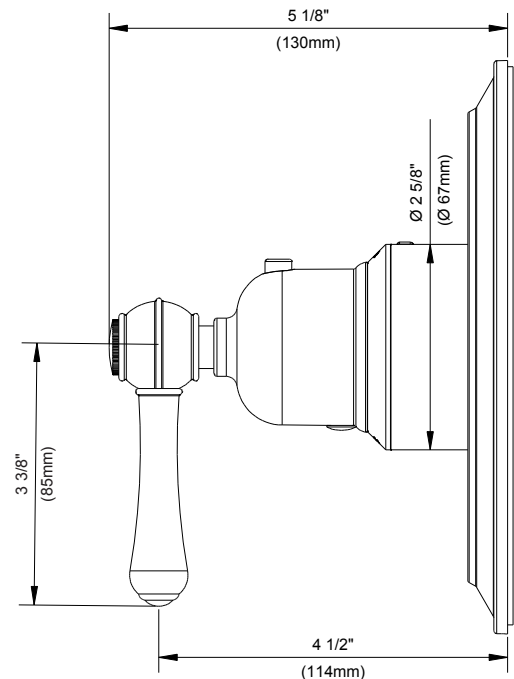
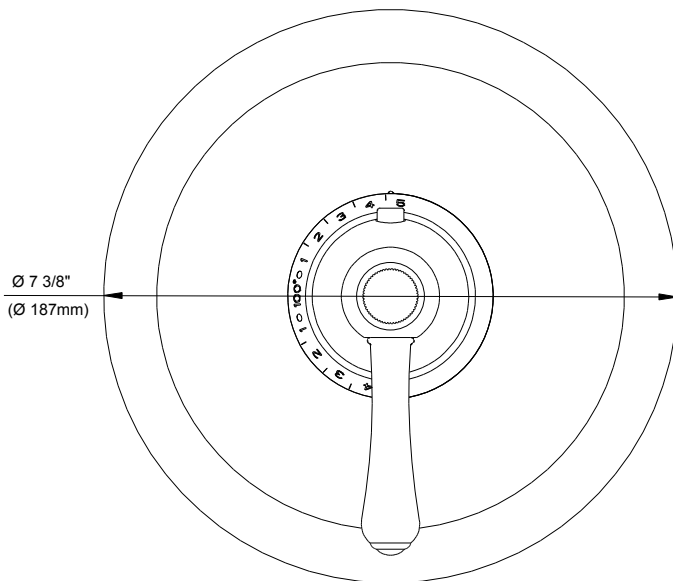
- Requires Single Handle 3/4" Thermostatic Valve, D155000BT, Sold Separately
- Controls Temperature for Thermostatic Shower Systems
- Includes Escutcheon and Control Handle Assembly
- Requires Separate Shut Off/ Volume Control Valve and Trim, Sold Separately
- Deep Wall Extension Kit, D155001BT, Sold Separately

Available Color/Finishes

Chrome

Please see gerberonline.com or current price list for available finishes. Finish is defined by additional suffix.

Standards & Certifications



Submittal Information:

Name: _____ Contractor: _____
 Location: _____ Contact #: _____