



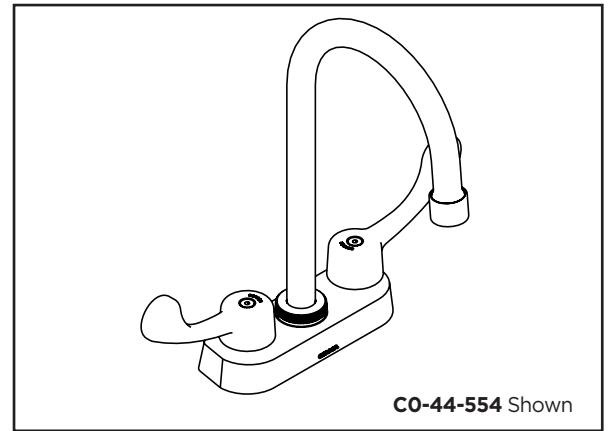
GERBER

CO-44-554 Series Commercial Faucet Two Handle Gooseneck Lavatory Faucet



Features:

- Cast brass underbody with heavy chrome plated brass shell
- Choice of vandal proof lever or wrist blade metal handles
- Color-coded handle screws
- Ceramic disc cartridges G0086986 & G0086987
- Goose neck spout
- 0.5 gpm (1.9 L/min) maximum laminar aerator G0097298 @ 60 psi
- 1/2" NPSM supply connection
- Max. 1 3/8" deck thickness
- Lead free waterway per NSF/ANSI 372
- Fully ADA compliant
- Limited lifetime warranty
- Meets CEC requirements



Standards & Certifications:

- ASME A112.18.1
- NSF/ANSI 372
- IAPMO/cUPC
- ICC/ANSI A117.1
- Mass Code
- EPA/WaterSense

Catalog Numbers:

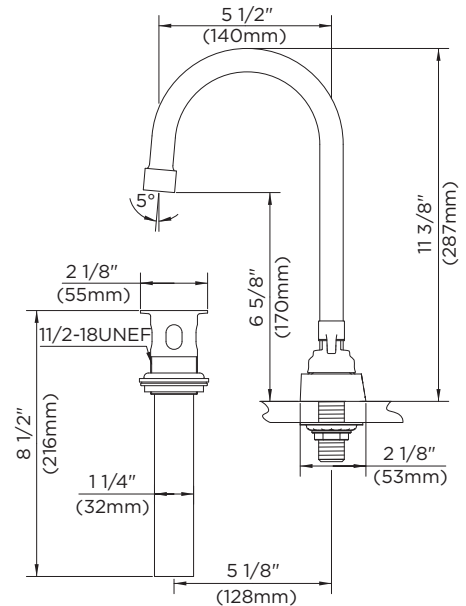
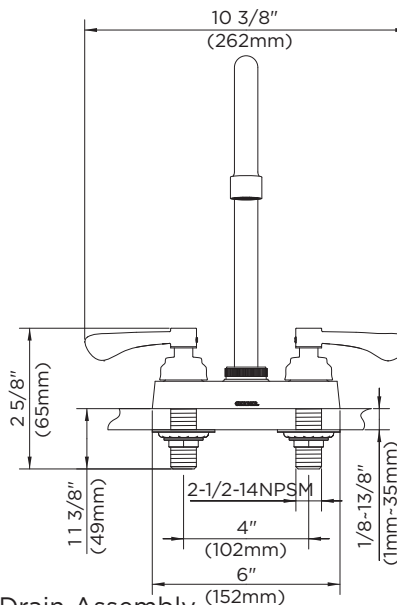
- CO-44-554** Wrist Blade Handles, Less Drain Assembly
- CO-44-555** Wrist Blade Handles, With Brass Grid Strainer
- C4-44-554** Metal Lever Handles, Less Drain Assembly
- C4-44-555** Metal Lever Handles, With Brass Grid Strainer

Prefixes Available:

- CO = Wrist Blade Handles
- C4 = Metal Lever Handles

Suffixes Available:

None



| | |
|--------------------|--|
| Job Name | |
| Date | |
| Model Specified | |
| Quantity | |
| Customer | |
| Contractor | |
| Architect/engineer | |

Gerber Toll Free Technical Support: 888-648-6466
www.gerberonline.com