

12" Rough-in

### Features:

#### □ MX-20-902

- Vitreous china
- Combination bowl and tank
- 3" Flush valve
- 12" Rough-in
- Round Front bowl
- Dual-fed siphon jet action bowl (no splashing)
- 2" Fully Glazed trapway for effective waste removal
- Color matched metal tank lever
- 6 point tank to bowl connection for tank stability
- Sanitary bead for easy cleaning
- Color matched Bolt caps included
- Toilet seat not included



### Technical Information:

#### Included Components:

- Combination      MX-20-902
- Bowl              MX-21-952
- Tank                MX-28-990

#### Other Tank Options: (bowl to be purchased separately)

- Insulated Tank                      MX-28-992
- Tank with Right Hand Lever      MX-28-990-97

### Fixtures:

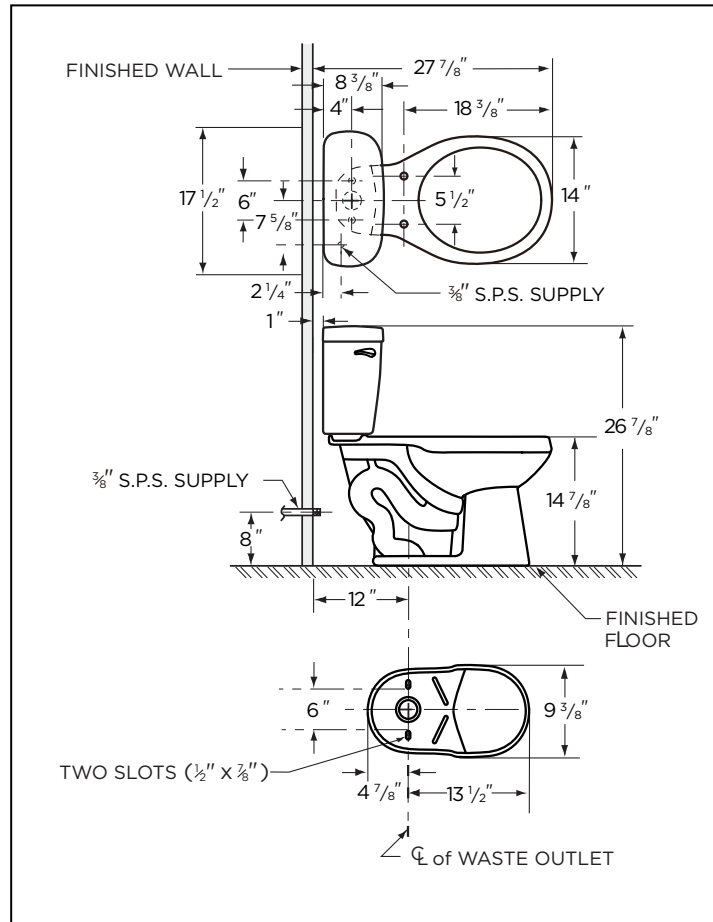
Configuration	Two-piece, round front
Water per Flush	1.6 gpf (6 lpf)
Rough-In	12"
Height	28 7/8"
Width	17 1/2"
Depth	26 7/8"
Trapway	2"
Large Water Surface	9 1/8" x 7"
Shipping Weight	76 lbs

### Colors/Finishes:

- White
- Other: Refer to Price Book for additional colors/finishes

### Warranty:

- Limited lifetime warranty



**NOTES:** All dimensions are in inches. Illustrations may not be drawn to scale.

#### IMPORTANT:

Dimensions of fixtures are nominal and may vary within the range of tolerances established by ASME standard A 112.19.2 THIS FIXTURE QUALIFIES ACCORDING TO ASME TEST PROCEDURES AS A LOW CONSUMPTION ATER CLOSET WITH AN AVERAGE CONSUMPTION OF 1.6 gpf (6 Lpf) OR LESS.