

GERBER

VITREOUS CHINA
TOILET
WS-20-904

LAVATORIES

TOILETS

BIDETS / URINALS

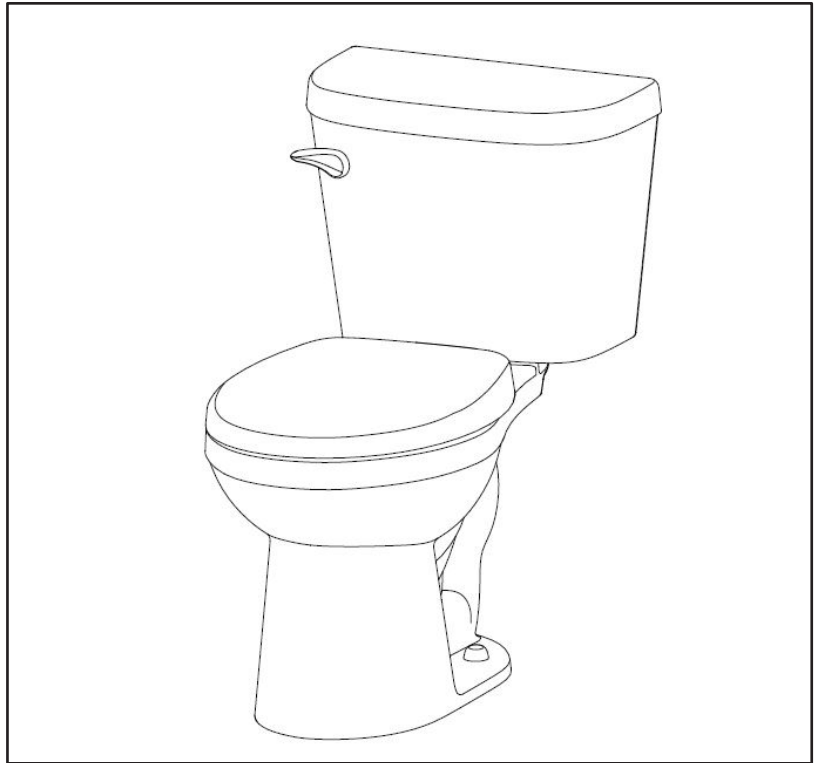
CAST IRON

MAXWELL® 1.28 Round Front Toilet

14" Rough-in

Features:

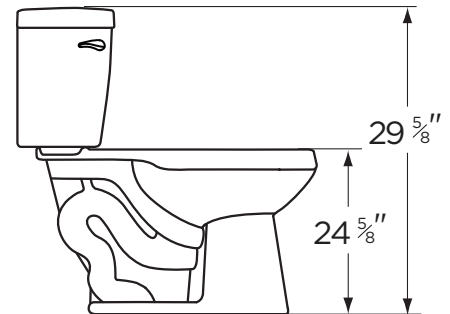
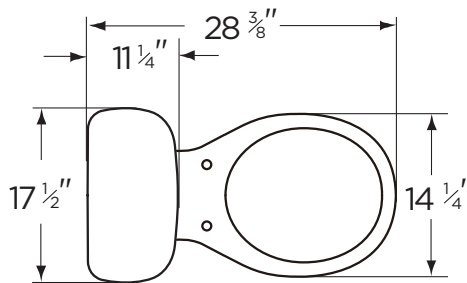
- 1.28 gpf/4.8 Lpf high efficiency two-piece toilet
- Round Front bowl
- Dual-fed siphon jet
- Pilot fill valve
- 3" flush valve
- 2" glazed trapway
- Color matched front tank lever
- Available in White
- 2 bolt caps
- Seat not included



Dimensions:

Height 29 5/8"
 Width 17 1/2"
 Depth 28 3/8"
 Rough-in 14"
 Water Surface from Rim 5 5/8"
 Trapway 2"
 Water Surface 9 1/4" x 7 1/4"
 Water Seal 2 1/4"
 Shipping Weight 76 lbs

Specifications: Bowl—#MX-21-952 Round Front Bowl Tank—#28-994



THIS FIXTURE QUALIFIES ACCORDING TO ASME TEST PROCEDURES AS A HIGH-EFFICIENCY WATER CLOSET WITH AN AVERAGE CONSUMPTION OF 1.28 gpf (4.8 Lpf) OR LESS.

HIGH EFFICIENCY TOILET
HET



www.gerberonline.com

Job Name	
Date	
Model Specified	
Quantity	
Customer	
Contractor	
Architect/engineer	

