



Zoneline® AIR CONDITIONER

SAFETY INFORMATION3

USING THE ZONELINE

Controls6

Air Direction7

To Remove the Room Cover7

Ventilation Control.....7

Auxiliary Controls.....8

Remote Thermostat.....13

Makeup Air14

CARE AND CLEANING

Room Cover and Sleeve15

Outdoor Coils15

Base Pan15

Ventilation Filter.....15

Air Filters.....16

INSTALLATION INSTRUCTIONS

Preparation17

Replacing an Existing Unit18

Electrical Connection.....19

Installing the Zoneline.....22

Optional Drain Kit24

TROUBLESHOOTING TIPS.....25

Normal Operating Sounds27

CONSUMER SUPPORT

Ownership Registration.....29

Warranty31

Consumer Support.....32

OWNER'S MANUAL

AZ45
AZ65

Write the model and serial numbers here:

Model # _____

Serial # _____

Find these numbers on a label behind the room cover on the base pan.

Español

For a Spanish version of this manual, visit our Website at www.zoneline.com.

Para consultar una version en español de este manual de instrucciones, visite nuestro sitio de internet www.zoneline.com.

Français

For a French version of this manual, visit our Website at www.zoneline.com.

Pour un version français de ce manuel d'utilisation, veuillez visiter notre site web à l'adresse www.zoneline.com.

THANK YOU FOR MAKING GE APPLIANCES A PART OF YOUR HOME.

Whether you grew up with GE Appliances, or this is your first, we're happy to have you in the family.

We take pride in the craftsmanship, innovation and design that goes into every GE Appliances product, and we think you will too. Among other things, registration of your appliance ensures that we can deliver important product information and warranty details when you need them.

Register your GE appliance now online. Helpful websites and phone numbers are available in the Consumer Support section of this Owner's Manual. You may also mail in the pre-printed registration card included in the packing material.



IMPORTANT SAFETY INFORMATION

READ ALL INSTRUCTIONS BEFORE USING THE APPLIANCE

WARNING

For your safety, the information in this manual must be followed to minimize the risk of fire or explosion, electric shock, or to prevent property damage, personal injury, or loss of life.

SAFETY PRECAUTIONS

- This Zoneline must be properly installed in accordance with the Installation Instructions before it is used. See the Installation Instructions in the back of this manual.
- Immediately replace all electric service cords that have become frayed or otherwise damaged. A damaged power supply cord must be replaced with a new power supply cord obtained from the manufacturer and not repaired. Do not use a cord that shows cracks or abrasion damage along its length or at either the plug or connector end.
- Unplug or disconnect the Zoneline at the fuse box or circuit breaker before making any repairs.

NOTE: We strongly recommend that any servicing be performed by a qualified individual.

- These R410A air conditioning systems require contractors and technicians to use tools, equipment and safety standards approved for use with this refrigerant. **DO NOT use equipment certified for R22 refrigerant only.**

Replacing an existing unit?

For details, see the Installation Instructions in this manual.

READ AND SAVE THESE INSTRUCTIONS

CONSIGNES DE SÉCURITÉ IMPORTANTES

LISEZ TOUTES LES INSTRUCTIONS AVANT L'UTILISATION

AVERTISSEMENT

Pour votre sécurité, veuillez observer les consignes de ce manuel afin de réduire le risque d'incendie, d'explosion, de choc électrique, de dommages à la propriété ou de blessures, graves ou fatales.

MESURES DE SÉCURITÉ

- Avant son utilisation, ce climatiseur Zoneline doit être installé correctement en conformité avec les instructions d'installation. Consultez les instructions d'installation au dos de ce manuel.
- Remplacez immédiatement tous les cordons électriques usés ou autrement endommagés. Un cordon électrique endommagé ne doit pas être réparé, il doit être remplacé par un cordon neuf acquis auprès du fabricant. N'utilisez pas un cordon qui présente des fissures ou des marques d'abrasion sur sa longueur, sa fiche ou sa connexion.
- Débranchez le climatiseur Zoneline ou coupez le courant à la boîte de fusibles ou au disjoncteur avant d'effectuer une réparation.

REMARQUE: Nous recommandons vivement que les réparations soient effectuées par une personne qualifiée en la matière.

- Les outils, les équipements et les normes de sécurité utilisés par les entrepreneurs et les techniciens doivent être approuvés en fonction du fluide frigorigène dont le système de climatisation R410A du Zoneline est équipé. **N'UTILISEZ PAS d'équipements certifiés relativement au fluide frigorigène R22 seulement.**

Vous remplacez un climatiseur existant?

Pour de plus amples renseignements, veuillez consulter les instructions d'installation de ce manuel.

LIRE ET CONSERVER CES INSTRUCTIONS

INFORMACIÓN IMPORTANTE DE SEGURIDAD

LEA TODAS LAS INSTRUCCIONES ANTES DE USAR

ADVERTENCIA

Para su seguridad, se debe seguir la información de este manual para minimizar el riesgo de incendio o explosión, descargas eléctricas, o para evitar daños a la propiedad, lesiones personales o la muerte.

PRECAUCIONES DE SEGURIDAD

- Antes de iniciar su uso, el acondicionador de aire Zoneline debe instalarse correctamente según las Instrucciones de instalación. Ver las Instrucciones de instalación en la parte trasera de este manual.
- Reemplace inmediatamente todos los cables eléctricos que se haya pelado o que se hayan dañado de alguna otra manera. Un cable de corriente dañado no debe repararse, sino que debe ser sustituido por uno nuevo que se adquiera del fabricante. No use un cable eléctrico que muestre evidencias de deterioro o daños de abrasión en su superficie o en cualquiera de sus enchufes o extremos.
- Desenchufe o desconecte el Zoneline desde la caja de fusibles o el disyuntor antes de realizar cualquier tipo de reparación.

NOTA: Recomendamos enérgicamente que cualquier servicio llevado a cabo en este equipo lo realice un individuo calificado.

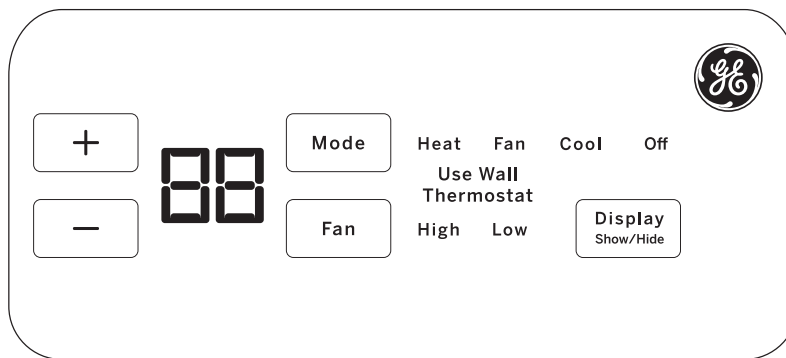
- Los sistemas de acondicionador de aire R410A requieren que los contratistas y técnicos utilicen herramientas, equipamiento y normas de seguridad aprobadas para su uso con este refrigerante. **NO utilice equipamiento certificado sólo para refrigerante R22.**

¿Desea reemplazar una unidad ya instalada?

Para más detalles, ver las Instrucciones de instalación en este manual.

LEA Y GUARDE ESTAS INSTRUCCIONES

Controls



Temp Control

The temp control is used to maintain the room temperature. The system will cycle on and off to keep the room at the same level of comfort.

Press the + pad to raise the temperature.

Press the - pad to lower the temperature.

NOTE: The display shows the set temperature, not the room temperature.

Fan, Mode and Operation Control

FAN—Sets the fan operation for **HIGH** or **LOW**.

MODE—**COOL**—For cooling

FAN—For fan-only operation

HEAT—For heating

OFF—Turns the unit off. Power remains connected to the Zoneline. The Freeze/Heat Sentinel features still function if active. See the Freeze/Heat Sentinel section on page 9.

USE WALL THERMOSTAT— This LED will light up when the unit is controlled by a wall thermostat. See page 10 for details.

Control Lock Out

The control panel can be locked out to prevent users from changing the operation mode of the unit.

While the unit is in the desired operating mode, press and hold the DISPLAY SHOW/HIDE button for 10 seconds to lock the control and the desired setting. Any key press after that will result in the mode LED and temperature that was locked to flash 5 times and then go dormant.

To unlock the control lock out feature, press the DISPLAY SHOW/HIDE button for 10 seconds to unlock and resume normal operation.

NOTE: The temperature display will flash if the control panel is locked.

NOTE: When switching between modes, it may take several minutes to completely change operation.

Quick Heat Recovery

Activates each time the thermostat is switched from **OFF** or **COOL** mode to **HEAT** mode, on heat pump models. Electric heaters are energized until the thermostat set

point is reached. The heat pump operation will resume at the next call for heat.

About Your Heat Pump (AZ65 only)

Heat pumps can save money by capturing heat from the outside air—even when the outside temperature is below freezing—and releasing that heat indoors.

To get the best energy performance from your heat pump, don't change the room thermostat by more than one degree at one time. Raising the heat setting 2–3 degrees will cause the Zoneline to use its electric heating elements in order to reach the new temperature setting quickly.

The electric heating elements use more electricity than heat pumps and cost more to operate.

There is a 3-minute minimum compressor run time at any setting to prevent short cycling.

The fans start before the compressor and stop after the compressor cycles off.

When the outdoor temperature is lower than 25°F, heat is provided by the electric heater instead of by the heat pump.

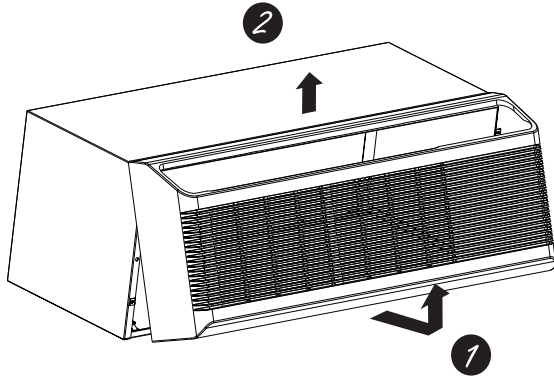
When the outdoor temperature is lower than 35°F, cooling operation is locked out to prevent damage to the compressor. Operation will resume when the outdoor temperature rises above 40°F.

Using the Zoneline

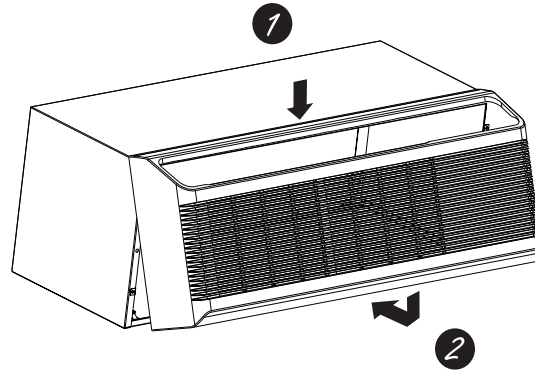
To Remove the Room Front

Additional controls are located behind the room cover.

To remove: Pull out at the bottom to release it from the holding tabs on the sides (1). Then lift up (2).

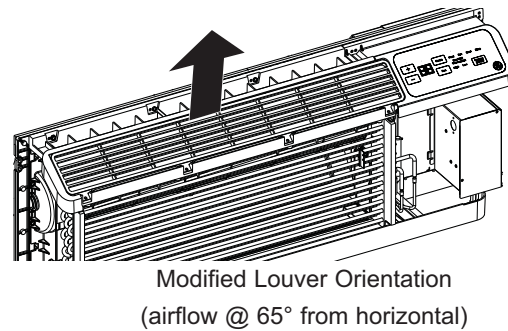
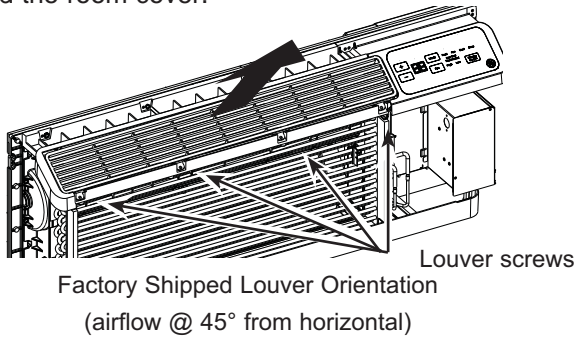


To replace: Align and place the top rail of the room cover over the chassis (1). Push inward at the bottom until it snaps into place (2).



Air Direction

To change the air direction, remove the room cover. Remove the 4 louver screws that hold the louver insert in place. Rotate the louver 180°, reinstall and replace the screws and the room cover.



Ventilation Control*

NOTE: Two shipping screws must be removed from the vent door before use. See the Installation Instructions in the back of this manual. If you do not plan to use the ventilation feature, leave the two screws in place.

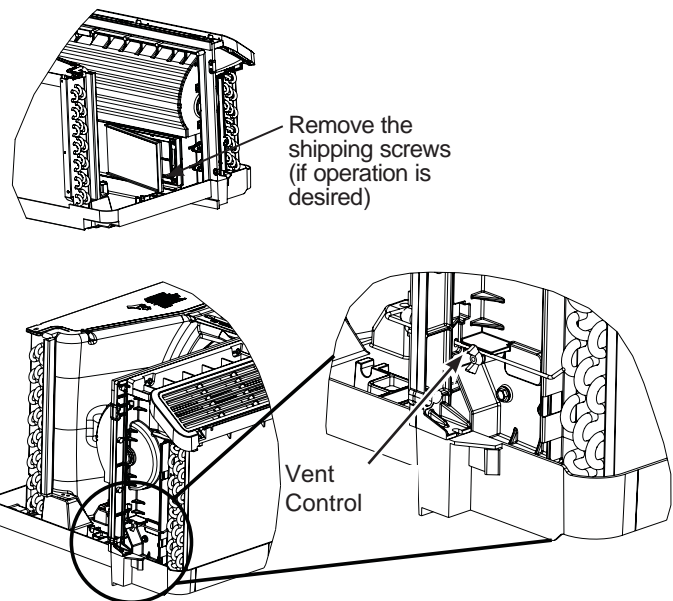
The ventilation control lever is located at the lower left side of the Zoneline unit, behind the room cover. The position of the lever can be adjusted with the wing nut.

When set at the closed position, only the air inside the room is circulated and filtered.

When set in an open position, some outdoor air will be drawn into the room. This will reduce the heating or cooling efficiency.

Energy Tip: Keep the vent control in the closed position to prevent unconditioned air from entering the room.

* Not on Make Up Air Module Units.



Auxiliary controls on your Zoneline

Auxiliary Controls - Aux Set Button

While the unit is preset to what most customers prefer, there are auxiliary controls located behind the room cover, below the control panel.

Remove the room cover. See the **To Remove the Room Front** section, on page 7.

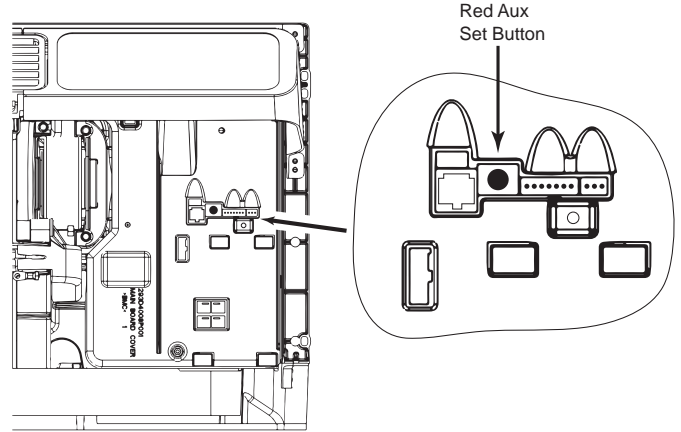
If the owner modifies the auxiliary controls, the owner is responsible for ensuring the auxiliary controls are set to the desired function. There are multiple functions/modes that can be adjusted using the auxiliary set button.

To change operating or set up parameters, first go to the mode control and turn the unit off, then, press the red **AUX SET** button (“AU” appears on the display).

Press the mode button on the control pad until the first digit in the display shows the number corresponding to the mode you are choosing and the correct HEAT/COOL LED is lit.

Press the +/- button to adjust the setting selection where applicable (shown in the second digit of the display).

Press the red **AUX SET** button to lock in the selection, and exit AUX SET mode.



Press "Aux Set"		Press "Aux Set"		Press "Aux Set"	
A First Digit	U Second Digit	A First Digit	U Second Digit	A First Digit	U Second Digit
Press "Mode"	Press +/-	Press "Mode"	Press +/-	Press "Mode"	Press +/-
1 Smart Fan	U - Cycle / n - Continue	5 Temperature Limit	U - Off / n - On	0 Makeup Air Mode *	U - Disable / n - Enable
2 Temperature Display	F / L	6 Class 2 Mode	U - Off / n - On	E Makeup Air Occupancy *	U - Disable / n - Enable
3 Sentinel	U - Off / n - On	7 Duct Mode *	U - Off / n - On (Cool/Heat) / A - On (Auto Change Over)	P Engineering Revision *	U - Disable / n - Enable
4 Constant Fan	U - Off / n - On	8 All I2R Mode (AZ65 Only)		L UVC Mode *	U - Disable / n - Enable
		9 Boost Heat (AZ65 Only)			

* Not available on all models.

293D5363P001

MODE 1 Smart Fan—Cooling/Heating

Press **MODE** until a 1 appears in the first digit of the display for **Smart Fan** cool mode. The **COOL** LED light on the main control will be on. To change to heat mode, press **MODE** again. The **HEAT** LED light on the main control will be lit.

Press the - pad to set the indoor fan to cycle on/off in the heating or cooling mode selected “□.”

Press the + pad to set the indoor fan to run continuously in the heating or cooling mode selected “■.”

Press **AUX SET** to confirm your selection and exit **AUX SET** mode, or press **MODE** to continue setting other functions.

The default setting for Mode 1 is as follows:

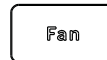
Cooling: Continuous (ON)

Heating: Cycle (OFF)

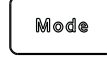
***Note:** In cyclic cooling mode, the indoor fan will activate occasionally to verify air temperature in the room. In cyclic heating mode, the fan will continue to operate for several seconds after the heating function has stopped in order to increase unit efficiency.



Cool



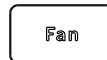
Cool



Heat



Heat



Auxiliary controls on your Zoneline

MODE 2 Fahrenheit / Celsius

This feature allows the individual to switch the temperature units between Fahrenheit and Celsius on the display.

Press **MODE** until a 2 appears in the first digit of the display for Fahrenheit/Celsius mode.

Press the - pad to select Celsius or the + pad to select Fahrenheit. The individual will see an F for Fahrenheit or a C for Celsius in the second digit of the display based on the selection.

The default setting for Mode 2 is Fahrenheit.



MODE 3 Freeze Sentinel/Heat Sentinel

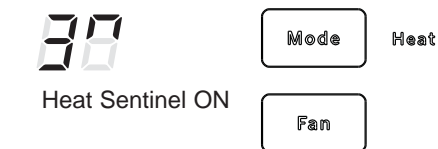
With power to the unit and **Freeze Sentinel** activated, the unit automatically provides heat without user interface. This prevents potential plumbing damage by turning the heater and indoor fan ON at 41°F and then OFF once the room temperature reaches 46°F.

When **Heat Sentinel** is activated, the unit automatically provides cooling without user interface. This prevents an excessively hot room by turning the air conditioner ON at 85°F and then OFF once the room temperature reaches 80°F.

Press **MODE** until a 3 appears in the first digit of the display for **Freeze Sentinel** mode. The **COOL** LED light on the main control will be on. Press **MODE** again to change to the **Heat Sentinel**. The **HEAT** LED light on the main control will be on. Press the - pad for OFF “□” or the + pad for ON “□”. This is shown in the second digit of the display. Press **AUX SET** to lock in your selection, and exit **AUX SET** mode, or press **MODE** to continue setting other functions.

The default setting for Mode 3: **Heat Sentinel** is off, **Freeze Sentinel** is on.

NOTE: These functions are active whenever the unit is plugged in, even if the unit is turned off.



MODE 4 Constant ON Fan

Press **MODE** until a 4 appears in the first digit of the display to set the fan to run continuously at high speed.

Note: This causes the fan to run continuously even if the unit is turned off.

Press the - pad for OFF “□” or the + pad for ON “□.” This is shown in the second digit of the display.

Press **AUX SET** to lock in your selection and exit **AUX SET** mode, or press **MODE** to continue setting other functions.

The default setting for Mode 4 is OFF.



Auxiliary controls on your Zoneline

MODE 5 Temperature Limiting

Temperature limiting is a feature that reduces energy costs by limiting the lowest temperature that can be obtained in cooling and the highest temperature that can be obtained in heating.

Press **MODE** until a 5 appears in the first digit of the display for **Temperature Limiting**. For cool mode, the **COOL** LED light on the main control will be lit. To change to heat mode, press **MODE** again and the **HEAT** LED light on the main control will be lit.

To set the temperature limits, press the + or - pad . The second digit of the display will be between 0 and 7 depending on the limit you want to set. The below chart shows the limits available. Press **AUX SET** to lock in your selection and exit **AUX SET** mode, or press **MODE** to continue setting other functions.

Temperature limits—Cool		Temperature limits—Heat	
0 = 60°F to 85°F	4 = 70°F to 85°F	0 = 60°F to 65°F	4 = 60°F to 76°F
1 = 64°F to 85°F	5 = 72°F to 85°F	1 = 60°F to 70°F	5 = 60°F to 78°F
2 = 66°F to 85°F	6 = 74°F to 85°F	2 = 60°F to 72°F	6 = 60°F to 80°F
3 = 68°F to 85°F	7 = 76°F to 85°F	3 = 60°F to 74°F	7 = 60°F to 55°F

The default setting for Mode 5 is as follows:
Cool: 2 (66°F to 85°F)
Heat: 5 (60°F to 78°F)

52

Mode

Cool

Fan

Temperature Limiting Cool – Limit 2

55

Mode

Heat

Fan

Temperature Limiting Heat – Limit 5

MODE 6 Use Wall Thermostat

Setting this mode to ON will allow the unit to operate with a Class 2 Remote Control Wall Thermostat. Press **MODE** until a 6 appears in the first digit of the display for **Class 2** mode.

The default setting for Mode 6 is OFF.

Press the + pad to turn the option ON “□” for “standard cool/heat” thermostats. Press the + pad again to turn the option ON “R” for “auto change over” thermostat. You may press the - pad to return to the previous setting. Press **AUX SET** to lock in your selection and exit **AUX SET** mode, or press **MODE** to continue setting other functions.

When this mode is active, the display will show “Use Wall Thermostat” when any key is pressed.

00

Class 2 OFF

00

Class 2 ON
(Cool/Heat
Selectable
Thermostats)

00

Class ON
(Auto Change Over
Thermostats)

MODE 7 Duct Mode

This setting is used when the unit is installed with a duct adapter kit. If the unit is ducted, the Duct Mode needs to be set to ON. This increases the fan speed to ensure proper circulation.

Press **MODE** until a 7 appears in the first digit of the display. Press the + or - pad to change the second digit to **OFF** “□” or **ON** “□.” Press **AUX SET** to lock in your selection and exit **AUX SET** mode.

Press **AUX SET** to lock in your selection and exit **AUX SET** mode or press **MODE** to continue setting other functions.

The default setting for Mode 7 is OFF.

00

Duct Mode
OFF

00

Duct Mode ON

Auxiliary controls on your Zoneline

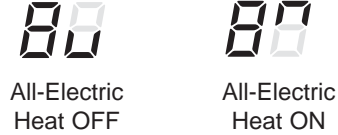
MODE 8 All-Electric Heat (AZ65 only)

This electric heat option is only available on the AZ65 model. When this option is ON “□,” heat pump operation is locked out, causing the unit to provide only electric resistance heat.

To adjust the **All-Electric Heat** option, press **MODE** until an 8 appears in the first digit of the display. Press the + or - pad to set this switch to OFF “□” or ON “□.” This is shown in the second digit of the display.

Press **AUX SET** to lock in your selection and exit **AUX SET** mode, or press **MODE** to continue setting other functions.

The default setting for Mode 8 is OFF.



MODE 9 Heat Boost (AZ65 only)

When **Heat Boost** is ON and outside temperatures are between 25°F and 46°F, supplementary electric heat is added to the heat pump operation to help maintain a consistent, comfortable room temperature.

To set Heat Boost, press **MODE** until a 9 appears in the first digit of the display. Press the + or - pad to set this switch to OFF “□” or ON “□.” This is shown in the second digit of the display. Press **AUX SET** to lock in your selection and exit **AUX SET** mode, or press **MODE** to continue setting other functions

The default setting for Mode 9 is OFF.



MODE 0 Digital Makeup Air Module Fan Speed (Available only on Makeup Air models)

Press **MODE** until a 0 appears in the first digit of the display for the Digital Makeup Air mode. To turn off the module or change the fan speeds, press the + or - pad. 00 indicates the module is off. 01 = module on with fans set at 25cfm, 02 = module on with fans set at 30cfm, etc.

The default setting for Mode 0 is ON with a fan speed of 35 cfm “3”

Press **AUX SET** to lock in your selection and exit **AUX SET** mode or press **MODE** to continue setting other functions.

Note: Shutting off the fan also closes the Makeup Air duct door.

MODE E Digital Makeup Air Module Occupancy

Makeup Air Occupancy allows the unit to shut off the makeup air when the room is unoccupied when used with an approved occupancy sensing thermostat and signal.

To enable occupancy detection and turn off the Makeup Air system when the room is unoccupied, press **MODE** until an E appears in the first digit of the display. Press the

+ pad to set occupancy detection to ON “□”.

The default setting for Mode E is OFF “□”.

Press **AUX SET** to lock in your selection and exit **AUX SET** mode or press **MODE** to continue setting other functions.

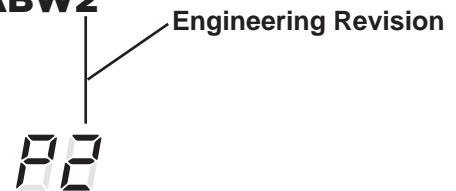
MODE P Engineering Revision Setup

This setting is used to configure the unit when the circuit board is replaced.

The first time the unit is powered after a service board is installed, the unit will automatically enter this mode. The UI will read “P1.” Press the “+” pad until the number matches the engineering revision as shown. The engineering revision is the last number in the model number. Press **AUX SET** to save and exit.

The engineering revision may be adjusted after the first power cycle using **AUX SET**. Press **MODE** until “P” appears in the first digit, and follow the steps described above.

Nomenclature Example
AZ45E09DABW2



Press **AUX SET** to lock in your selection and exit **AUX SET** mode or press **MODE** to continue setting other functions.

Auxiliary controls on your Zoneline

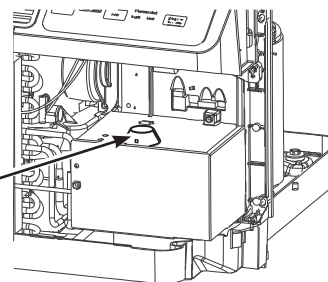
MODE C UVC Light (available only on UVC equipped models)

To enable UVC light function, press **MODE** until a C appears in the first digit of the display. Press the + or – pad to set UVC light to OFF “**□**” or ON “**▣**”.

The default setting for Mode C is OFF “**□**”.

Press **AUX SET** to lock in your selection and exit **AUX SET** mode or press **MODE** to go to the start of the auxiliary settings.

Indicator LED on top of junction box will illuminate when UVC is active



Auxiliary Controls - Terminal Connections

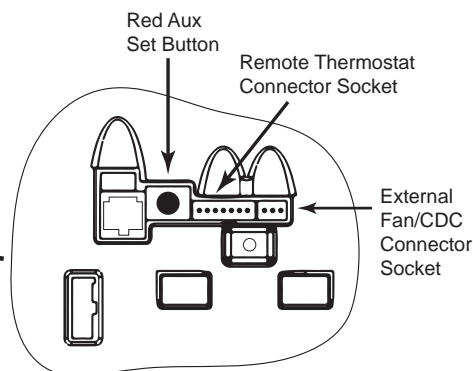
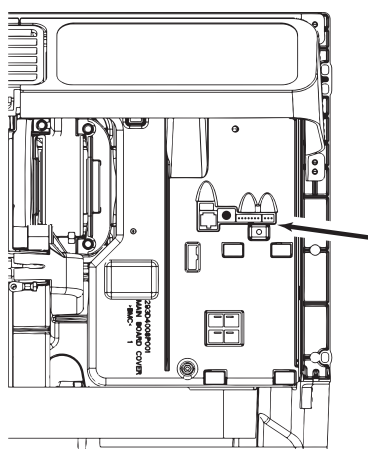
The auxiliary control terminal connections are located behind the room cover beneath the unit controls.

1. Turn off and unplug the unit.
2. Remove the room cover. See the To Remove the Room Cover section.
3. To make wiring connections, insert the connectors into the appropriate terminals on the control box.
4. After all desired connections have been made, replace the room cover.

The owner is responsible for making all connections and setting the appropriate **AUX SET** mode(s).

NOTICE:

Improper wiring may damage the Zoneline electronics. No common busing is permitted. Damage or erratic operation may result. A separate wire pair must be run from each separate controlling switch to each individual Zoneline.

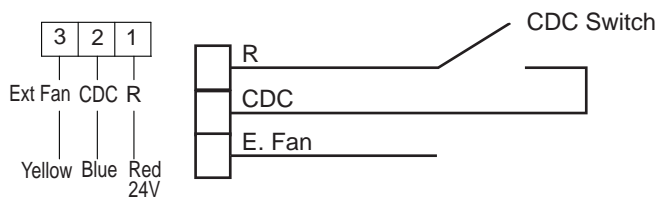


Central Desk Control (Field Supplied)*

The Central Desk Control is a feature that allows the unit to be made operable/inoperable from a remote location. Operation of the feature requires that an ON-OFF switch at the remote location be wired to the two CDC terminals on the control panel of the Zoneline. When the remote switch is CLOSED, the unit cannot be operated in the Fan, Cool, or Heat via the local controls. The Freeze Sentinel and the Heat Sentinel features remain operable. When the remote switch is Open, the unit is fully operable by the local control.

The RAKCDC accessory must be used with a central desk control system. No “Common Busing” is permitted.

NOTE: The CDC function cannot be used on DBM and EBM models when occupancy is enabled.



Makeup Air and Occupancy Detection

The CDC wire can serve a different function on Makeup Air models if desired.

When using an approved thermostat with a normally open occupancy detection signal, wiring to the CDC terminal can be set up to shut down the Makeup Air system when the room is unoccupied.

For the CDC function to work as Occupancy detection and control Makeup Air based on occupancy, Mode E (see page 11) MUST be turned ON. If Mode E is turned off, the signal will activate the CDC function and shut down the unit when the room is unoccupied causing uncontrolled temperatures and humidity.

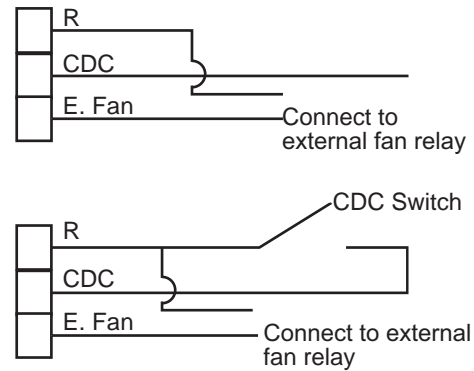
See additional Makeup Air model information on page 14.

Auxiliary controls on your Zoneline

External Fan (Field Installed)

When connected, an auxiliary or external fan can be controlled at the same time as the indoor fan motor on the Zoneline. Connections provide 24 V AC to energize a remote relay.

To enable this feature, a new replacement main board and a RAKCDC accessory must be installed. For model numbers ending in W5 or higher, use Main Board WP26X25056 (for older models that are W4 or lower, use WP26X22240)



Remote Thermostat (Field Supplied)

The RAKTK8PA1* Remote Thermostat Connector Kit is required to allow the use of a remote wall thermostat in place of the unit controls on the Zoneline.

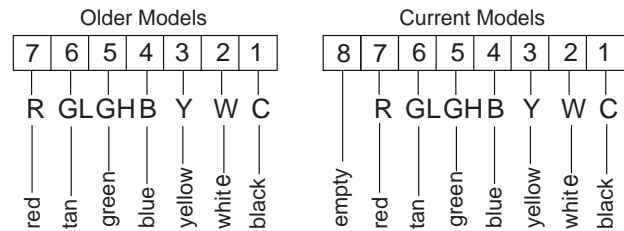
When connected to a remote thermostat, the indoor air temperature sensing is shifted from the unit to the remote thermostat. For this reason, the units will operate slightly differently when connected to a remote thermostat. The following chart shows the unit operation when connected to a remote thermostat.

IMPORTANT: The Zoneline thermostat connections provide 24 V AC only.

If using a digital/electronic wall thermostat, you must set it to the 24 V AC setting. See the Installation Instructions for the wall thermostat.

NOTICE:

Damage to a wall thermostat or to the Zoneline electronics can result from improper connections. Special care must be used in connecting the wires. No line voltage connections should be made to any circuit. Isolate all wires in building from line voltage.



Active UNIT features when using a remote thermostat

Feature	Heat Pump	Electric Heat
Indoor Frost Control	Yes	Yes
Freeze Sentinel	Yes	Yes
Electronic Temperature Limiting	No	No
Switch to Resistance Heat Based on Indoor Temperature	Determined by Remote Thermostat	N/A
Switch to Resistance Heat Based on Outdoor Temperature	Yes	N/A
Reverse Cycle Defrost	Yes	N/A
Simultaneous Partial Resistance Heat with Heat Pump	Yes	N/A
Resistance Heat Lockout	Yes	N/A
“Smart Fan” Fan Cycle	Fan ON/AUTO Set On Remote Thermostat	Fan ON/AUTO Set On Remote Thermostat
Central Desk Control	Yes	Yes

NOTE: The Class 2 Mode setting (Mode 6) must be set to ON “ \square ” for the unit to operate with a Class 2 Remote Wall Thermostat. (See the installation instructions supplied with the remote thermostat and mode instructions on page 10.)

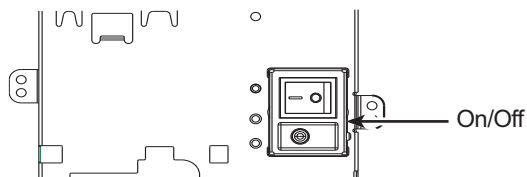
* also available in a package of ten - RAKTK8PA10

Makeup Air Models (not on all units)

The make-up air ventilation system is designed to provide continuous outdoor air through the vent door and into the room. In addition to providing fresh air, it dehumidifies incoming air when it is above 55% relative humidity.

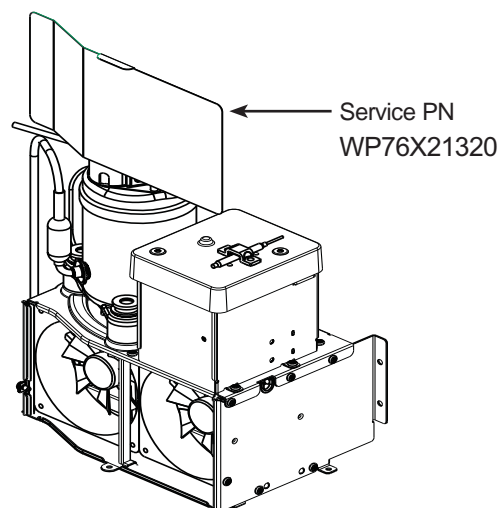
*DAM Models

The make-up air ventilation system is operated by a switch located on the front of the electrical control cover under the Zoneline room front. The system is turned on and off by depressing the on (I) or off (O) button as shown in the illustration.



Should the Zoneline need to be operated as a PTAC or PTHP only, the following steps should be followed:

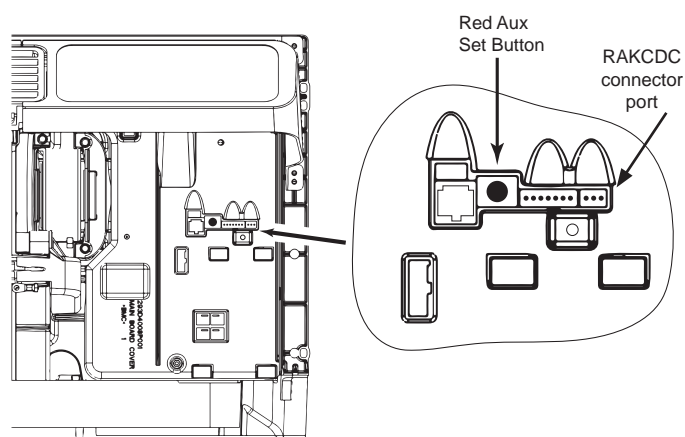
1. Order service PN# WP76X21320.
2. Unplug the Zoneline.
3. Remove the room front.
4. Turn off the ventilation system by depressing the on/off button so that off (O) is selected (see above illustration for location).
5. Pull the Zoneline from the wall sleeve and install service PN# WP76X21320 as shown in the illustration.
6. Push the Zoneline back into the wall sleeve and restore power to the unit.



*DBM and *EBM Models

The makeup air ventilation system is operated through the Zoneline's auxiliary menu (see Auxiliary Controls section). To turn the system on or off, follow the directions below:

1. Remove the room front.
2. Press the mode control button and turn off the unit
3. Press the red AUX SET button ("AU" appears on the display).
4. To turn off the MUAM press the mode control button until "0" appears in the first digit. See Auxiliary Controls on page 8 and Mode 0 on page 11.
5. Press the minus on the control panel until "00" is displayed to turn off the makeup air module and close the makeup air duct door.
6. The system is preset from the factory at 35 cfm. To change that value press the + or - for the fan speed desired: 1=25cfm, 2=30cfm, 3=35cfm, 4=40cfm, 5=45cfm and 6=50cfm.
7. Depress the red Aux button again to save your changes. Then turn the Zoneline unit back on to return to normal operation.



NOTE: Digital makeup air units will perform a system check upon power up, power cycle and once every 7 days if the unit is in occupancy mode. (Mode E turned on). The system check lasts approximately 45 seconds. During this time the makeup air fans will speed up, slow down, and then go to the set point.

Care and Cleaning

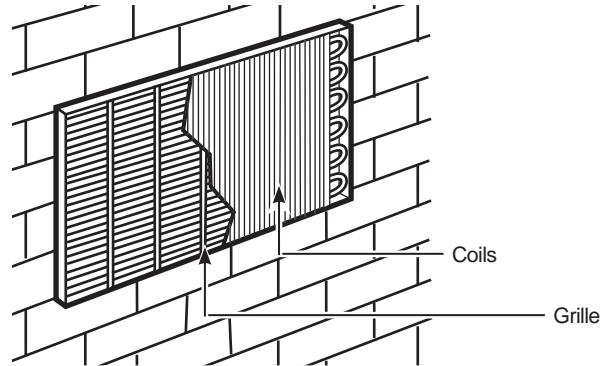
Room Cover and Sleeve

Turn the Zonline off and disconnect the power supply.

To clean, use water and a mild detergent. Do not use bleach or abrasives. Some commercial cleaners may damage the plastic parts.

Outdoor Coils

The coils on the outdoor side of the Zonline should be checked regularly. If they are clogged with dirt or soot, they should be cleaned by either low or no pressure cleaning methods. Ensure that electrical area/devices are protected during cleaning. You will need to remove the unit from the wall sleeve to inspect the coils. **The dirt buildup occurs on the fan side of the outdoor coil.**



Clean the outside coils regularly.

Base Pan

In some installations, dirt or other debris may be blown into the unit from the outside and settle in the base pan (the bottom of the unit).

In some areas of the United States, a naturally occurring “gel-like” or “slime-like” substance may be seen in the base pan.

Check it periodically and clean, if necessary.

On 4500 Series models, do not remove the rubber drain plug from the base pan.

Ventilation Filter

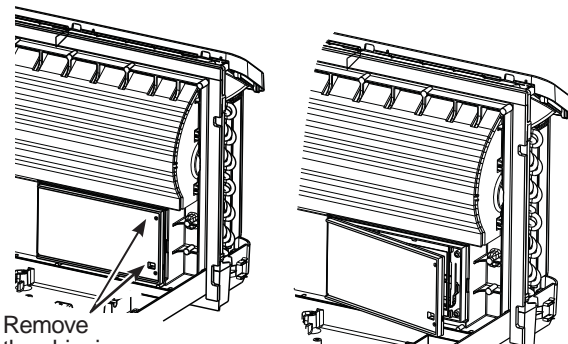
If the vent door is open, clean the vent filter twice a year or as required. Access requires the removal of the unit from the wall sleeve.

Turn the Zonline off and unplug before removing and cleaning.

To clean the vent filter:

IMPORTANT: This filter is not removable. Trying to remove this filter will damage the unit.

- Use a vacuum to remove debris from the filter.
- Use a damp rag to wipe down the filter and surrounding area after vacuuming.



Remove the shipping screws (if operation is desired)

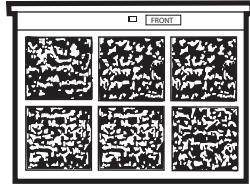
Care and Cleaning

Air Filters

To maintain optimum performance, clean the filters at least every 30 days.



Dirty filter—
Needs cleaning



Clogged filter—
Greatly reduces cooling,
heating and airflow.

Turn the Zonline off before cleaning.

The most important thing you can do to maintain the Zonline is to clean the filter at least every 30 days. Clogged filters reduce cooling, heating and air flow.

Keeping these filters clean will:

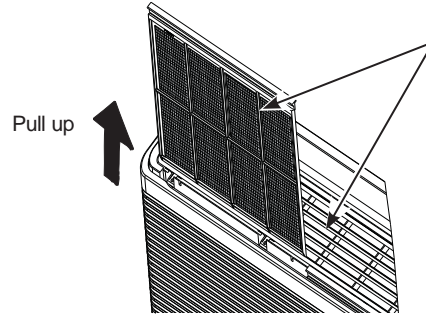
- Decrease cost of operation.
- Save energy.
- Prevent clogged heat exchanger coils.
- Reduce the risk of premature component failure.

To clean the air filters:

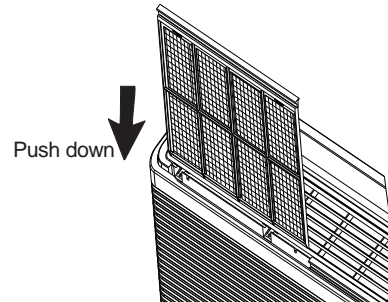
- Vacuum off the heavy soil.
- Run water through the filters from the back side.
- Dry thoroughly before replacing.

NOTE: The air filters are interchangeable and will fit in either the right or left side.

To remove the air filters:



To replace the air filters:



NOTICE:

Do not operate the Zonline without the filters in place. If a filter becomes torn or damaged, it should be replaced immediately.

Operating without the filters in place or with damaged filters will allow dirt and dust to reach the indoor coil and reduce the cooling, heating, airflow and efficiency of the unit.

Replacement filters are available from your salesperson, GE Appliances dealer, GE Appliances Service and Parts Center or authorized Customer Care® servicers.

Installation Instructions

Questions? Call 844-GE4-PTAC (or 844-434-7822) or Visit our Website at: GEAppliances.com

BEFORE YOU BEGIN

Read these instructions completely and carefully.

- **IMPORTANT** — Save these instructions for local inspector's use.
- **IMPORTANT** — Observe all governing codes and ordinances.
- **Note to Installer** — Be sure to leave these instructions with the owner.
- **Note to Owner** — Keep these instructions for future reference.
- Proper installation is the responsibility of the installer.
- Product failure due to improper installation is not covered under the Warranty.
- You must use all supplied parts and use proper installation procedures as described in these instructions when installing this air conditioner.

AIR CONDITIONER BREAK-IN PERIOD

NOTE — As with any mechanical device with moving parts, this unit will have a wear-in period. **AFTER INSTALLATION**, this unit should be operated for 48 hours to achieve optimum efficiency.

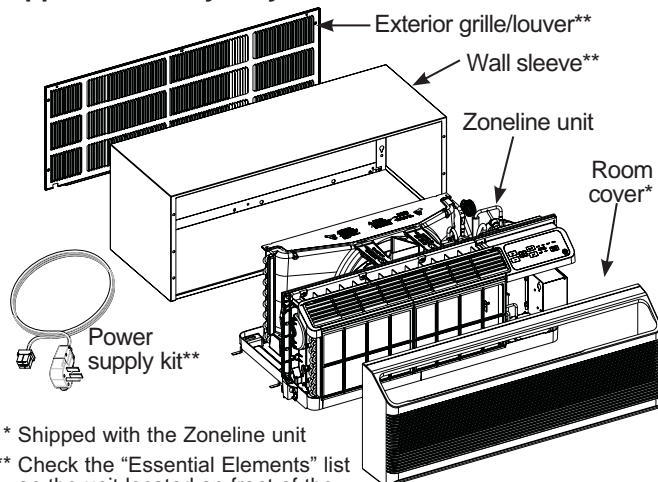
TOOLS YOU WILL NEED



Phillips screwdriver
or 5/16" Nut driver

ZONELINE COMPONENTS

Appearance may vary.



* Shipped with the Zoneline unit

** Check the "Essential Elements" list on the unit located on front of the base pan

IMPORTANT ELECTRICAL SAFETY— READ CAREFULLY

⚠ CAUTION

- Follow the National Electrical Code (NEC) or local codes and ordinances.
- For personal safety, this Zoneline must be properly grounded.
- Protective devices (fuses or circuit breakers) acceptable for Zoneline installations are specified on the nameplate of each unit.
- Do not use an extension cord with this unit.
- Aluminum building wiring may present special problems—consult a qualified electrician.
- When the unit is in the OFF position, there is still voltage to the electrical controls.
- Disconnect the power to the unit before servicing by:
 - 1 Removing the power cord (if it has one) from the wall receptacle. OR
 - 2 Removing the branch circuit fuses or turning the circuit breakers off at the panel.

⚠ ATTENTION

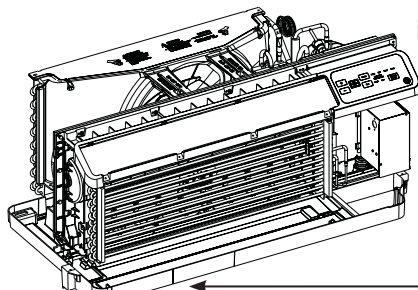
- Suivez le Code national de l'électricité (CNE) ou vos ordonnances et codes locaux.
- Pour votre sécurité personnelle, ce Zoneline doit être bien mis à la terre.
- Les appareils protecteurs (fusibles ou disjoncteurs) acceptables pour installer votre Zoneline sont indiqués sur la plaque signalétique de chaque appareil.
- N'utilisez jamais de rallonge électrique avec cet appareil.
- Les fils de bâtiment en aluminium peuvent poser des problèmes particuliers—consultez un électricien qualifié.
- Quand votre appareil est en position OFF (arrêt), il reste de la tension dans les commandes électriques.
- Débranchez le courant de votre appareil avant de l'entretenir ou de le réparer en:
 1. Enlevant le cordon d'alimentation (le cas échéant) de la prise murale. OU
 2. Enlevant les fusibles du circuit de dérivation ou en débranchant les disjoncteurs de dérivation au panneau.

⚠ PRECAUCIÓN

- Siga las instrucciones del National Electrical Code (Código de Electricidad Nacional) (NEC) o los códigos u ordenanzas locales.
- Para su seguridad personal, el acondicionador de aire Zoneline debe tener una adecuada conexión a tierra.
- Los dispositivos de protección (fusibles o disyuntores) adecuados para las instalaciones de Zoneline se encuentran especificados en la placa de cada unidad.
- No utilice un cable de extensión con esta unidad.
- El cableado de aluminio puede presentar problemas especiales: consulte a un electricista calificado.
- Cuando la unidad se encuentra en la posición OFF (apagado), todavía hay voltaje en los controles eléctricos.
- Antes de realizar reparaciones en la unidad, desconecte el suministro de energía de la siguiente manera:
 - 1 Retire el cable eléctrico (si posee uno) del receptáculo de la pared. O
 - 2 Retire los fusibles de la sección o apague el disyuntor desde el panel.

Installation Instructions

REPLACING AN EXISTING UNIT



Check the "Essential Elements" label for important information.

Use the correct wall sleeve

This unit is designed to be installed in a GE Appliances plastic or insulated metal wall sleeve. This minimizes condensation from forming on the room side of the case.

NOTE: There are several extra holes in the unit side flanges for installation in wall sleeves other than GE Appliances. To avoid damaging the flange insulation, the installer should use an awl or other sharp tool to puncture the insulation in the appropriate holes before installing the attachment screws.

Use the correct outdoor grille

You should use the outdoor grilles shown on the "Essential Elements" label on the base pan.

- If an existing grille is not replaced, capacity and efficiency will be reduced and the unit may fail to operate properly or fail prematurely. A deflector kit, RAK40, may be used with grilles that were not designed for your new GE Appliances Zonelines. The RAK40 contains air deflectors and gaskets that mount to the unit to direct the hot exhaust air away from the air intake to allow the unit to function properly. **The grille must have a 65% minimum free area (as calculated by ASHRAE).** See the Architects and Engineers Data Manual for more detailed information.
- Any vertical deflectors in a non GE Appliances existing rear grille should be removed to decrease condenser air recirculation that can cause the unit to "short-cycle" and lead to premature component failure.

Use the correct power cord

Codes require the use of arc fault or leakage current detection devices on 230/208-volt installations.

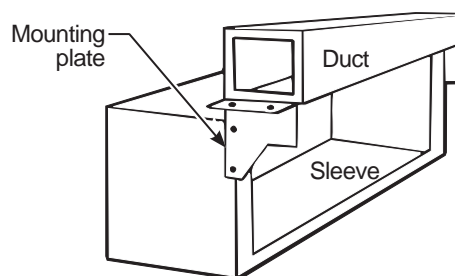
Replacing a ducted unit

New ducted installation:

If this unit is to be installed in a new ducted application using a duct adapter kit, the kit must be installed before the unit is placed in the wall case. The installation instructions are packed with the kit.

Duct kits available:

- RAK6053
- RAK601B/602B



Existing ducted installation:

Replacement of an existing ducted unit may require different components. Request this information from your sales representative. **Duct seals on existing unit need to be removed and added to the new unit.**

- **Replacing 230/208 volt units:**
See page 19.
- **Replacing 265 volt units:**
See page 20.

When using a duct kit, you must always turn Mode 7 to ON " " See Mode instructions on page 10.



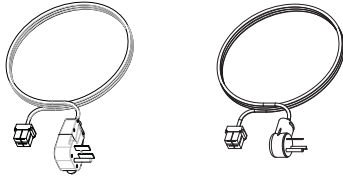
Duct Mode
Shown ON

Installation Instructions

230/208 VOLT ELECTRICAL CONNECTION OPTIONS

POWER CORD CONNECTION

Depending on application, a power supply kit with LCDI must be used to supply power to the Zoneline unit. The appropriate kit is determined by the voltage, the means of electrical connection and the amperage of the branch circuit.



Power supply kit
(Appearance may vary)

Connections of 208 or 230-volt circuits may be with a power supply kit or a junction box kit.

All wiring, including installation of the receptacle, must be in accordance with the NEC and local codes, ordinances and regulations. Codes require the use of an arc fault or leakage current detection device on the power cord except direct connect. Be sure to select the correct cord for your installation.



Tandem
15 Amp



Perpendicular
20 Amp



Large Tandem
30 Amp

230/208 volt receptacle configuration

Branch Circuit and Unit Amperage Rating	Proper GE Appliances Power Cord with LCDI Device
15	RAK315P
20	RAK320P
30	RAK330P

Power cords may include an arc fault interruption or a leakage current detection interruption device. A test and reset button is provided on the plug case or the inline case. The device should be tested on a periodic basis by first pressing the **TEST** button and then the **RESET** button. If the **TEST** button does not trip or if the **RESET** button will not stay engaged, discontinue use of the Zoneline and contact a qualified service technician.

ELECTRICAL SUBBASE CONNECTION

230/208-volt models may be installed using one of the following electrical subbases:

Branch Circuit and Unit Amperage Rating	Proper GE Appliances Subbase Kit
15	RAK204D15C
20	RAK204D20C
30	RAK204D30C

Electrical subbases provide an enclosure for direct connection or enclosed receptacles. The subbase kit includes the power cord.

The instructions provided with the selected subbase kit must be carefully followed. It is the responsibility of the installer to ensure the connection of components is done in accordance with these instructions and all electrical codes.

When using a sub-base electrical connection, the **RAK4002D Junction Box** is required for a complete and proper installation.

DIRECT CONNECTION

Order one of the following Kits for 230/208-volt direct connection as required:

Branch Circuit and Unit Amperage Rating	Power Supply Kit
15	RAK315D
20	RAK320D
30	RAK330D

Review installation instructions provided with direct connect kits for detailed assembly instructions.

When using a direct connection, the **RAK4002D Junction Box** is required for a complete and proper installation.

Installation Instructions

265 VOLT ELECTRICAL CONNECTION OPTIONS

WARNING

Connection of this 265 V AC product to a branch circuit **MUST** be done by direct connection in accordance with the National Electrical Code. Plugging this unit into a building-mounted exposed receptacle is not permitted by code.

These models must be installed using the appropriate GE Appliances power supply kit for the branch circuit amperage and the electrical resistance heater wattage desired. Use the POWER CONNECTION CHART on page 21 to determine the correct kit required. One of the following installation methods must be used:

AVERTISSEMENT

Vous DEVEZ brancher ce produit alimenté par courant alternatif de 265 volts au circuit de dérivation par branchement direct conformément au Code national d'électricité. Le Code n'autorise pas le branchement d'un appareil à une prise exposée montée sur le bâtiment.

Vous devez installer ces modèles à l'aide de la bonne trousse d'alimentation électrique GE Appliances pour l'ampérage du circuit de dérivation et la puissance du chauffage à résistance électrique désirée. Utilisez le Tableau de contact électrique, page 21, pour déterminer la bonne trousse requise. Vous devez utiliser l'une des méthodes suivantes d'installation.

ADVERTENCIA

La conexión de este producto de 265 voltios de CA a un circuito derivado DEBE realizarse mediante una conexión directa de acuerdo a las indicaciones del NEC. El código no permite enchufar esta unidad a una caja externa.

Estos modelos deben instalarse utilizando el kit de GE Appliances de suministro de energía adecuado para el amperaje de circuito derivado y el vatiaje deseado para el calefactor de resistencia eléctrica. Utilice la TABLA DE CONEXIONES ELÉCTRICAS en la página 21 para determinar cuál es el kit necesario. Debe utilizarse uno de los siguientes métodos de instalación.

A. FOR SUBBASE INSTALLATION

Electrical subbase kits are available to provide a flexible enclosure for direct connection.

Branch Circuit and Unit Amperage Rating	Proper GE Appliances Subbase Kit
15	RAK204E15C
20	RAK204E20C
30	RAK204E30C

The instructions provided with the selected subbase kit must be carefully followed. The subbase kit includes the power connection kit. It is the responsibility of the installer to ensure the connection of components is done in accordance with these instructions and all electrical codes.

B. FOR DIRECT CONNECT INSTALLATION

If an electrical subbase is not used, direct connection to branch circuit wiring inside the provided junction box must be done in accordance with the following steps.

Order the following Kit for 265-volt direct connection as required:

Branch Circuit and Unit Amperage Rating	Power Supply Kit
15	RAK515D
20	RAK520D
30	RAK530D

Review installation instructions provided with power cord or direct connect kits for detailed assembly instructions.

Installation Instructions

POWER CONNECTION CHART

Power Cord Connections

230/208 Volt Power Supply Kits with Current Leakage Detection Device (1)	Wall Plug Configuration	Circuit Protective Device	Heater Wattage @ 230/208 Volts
RAK315P/SP RAK320P/SP RAK330P/SP	Tandem Perpendicular Large Tandem	15-Amp Time-Delay Fuse or Breaker 20-Amp Time-Delay Fuse or Breaker 30-Amp Time-Delay Fuse or Breaker	2.40/1.96 KW 3.40/2.78 KW 4.80/3.93 KW (High Fan) 3.80/3.11 KW (Low Fan)

Direct Connections

230/208 Volt Power Supply Kits (2)	Circuit Protective Device	Heater Wattage @ 230/208 Volts
RAK315D RAK320D RAK330D	15-Amp Time-Delay Fuse or Breaker 20-Amp Time-Delay Fuse or Breaker 30-Amp Time-Delay Fuse or Breaker	2.40/1.96 KW 3.40/2.78 KW 4.80/3.93 KW (High Fan) 3.80/3.11 KW (Low Fan)

265 Volt Power Supply Kits (3)	Circuit Protective Device	Heater Wattage @ 265 Volts
RAK515D RAK520D RAK530D	15-Amp Time-Delay Fuse or Breaker 20-Amp Time-Delay Fuse or Breaker 30-Amp Time-Delay Fuse or Breaker	2.40 KW 3.40 KW 4.80 KW (High Fan) 3.8 KW (Low Fan)

- (1) Kits ending in SP do not have an LCDI device are therefore can only be used in a sub-base. A junction box (purchased separately) is required with SP kits.
- (2) A junction box (purchased separately) is required with these kits.
- (3) The required junction box comes pre-installed on the chassis.

Installation Instructions

INSTALLING THE ZONELINE

1. INSTALL THE WALL SLEEVE AND EXTERIOR GRILLE

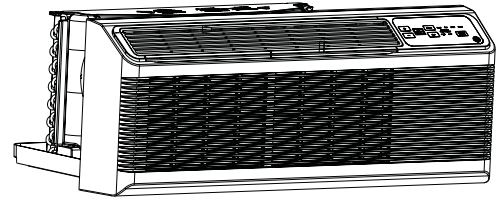
The RAB 81/81B series or RAB78 wall sleeve must be properly installed per instructions packed with the sleeve.

- Assemble the wall sleeve as detailed in the instructions packed with it. Ensure all pieces are properly snapped together.
- Attach the outdoor panel to the rear of the assembly to help close off the building from the elements.
- Install, secure and caulk the sleeve.
- When the chassis is ready to be installed, remove the outdoor panel and then install and secure the grille prior to installing the chassis.
- Install the exterior grille from the room side following instructions packed with the grille.

NOTE: For installation with a subbase or duct adapter, see the instructions packed with those kits.

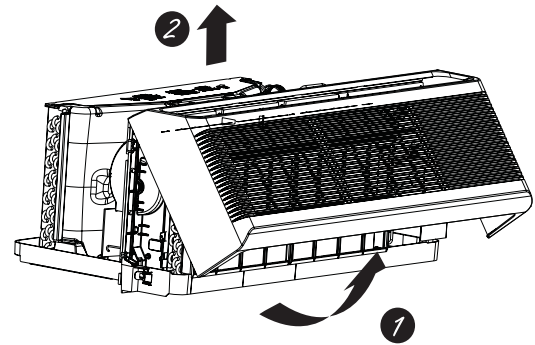
2. PREPARE THE UNIT

- Carefully remove the foam shipping blocks from the room front, compressor and outdoor fan. There may be multiple blocks and pieces of shipping tape that need to be removed.

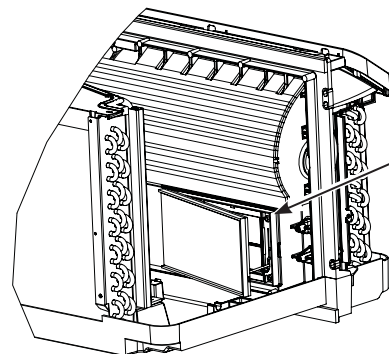


Shipping tape
(Locations may vary)

- Remove the room cover by pulling it out at the bottom to release it (1); then lift it up to clear the rail along the unit top (2).



- If vent door is to be operational, remove shipping screws from the front side of the vent door, if present.



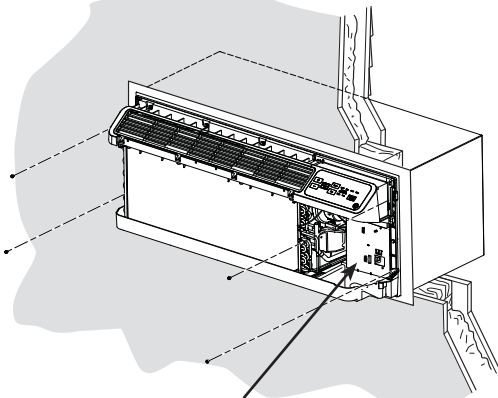
Remove the shipping screws
(if operation is desired)

INSTALLING THE ZONELINE (cont.)

3. INSTALL THE UNIT INTO THE WALL SLEEVE

Slide the unit into the wall sleeve and secure with four screws through the unit flange holes.

The four screws will be located in a sealed bag that sits under the control panel, sitting in the pocket in the base pan.

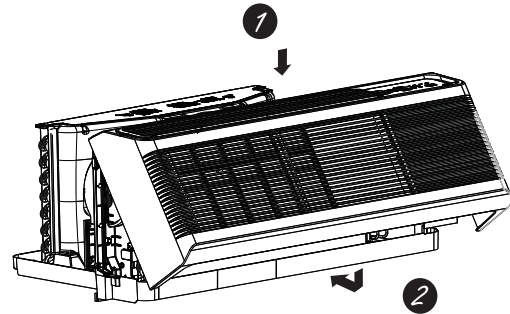


The four wall sleeve screws will be taped to the pocket in front of the control box.

NOTE: There are several extra holes in the unit side flanges for installation in wall sleeves other than GE Appliances To avoid damaging the flange insulation, the installer should use an awl or other sharp tool to puncture the insulation in the appropriate holes before installing the attachment screws.

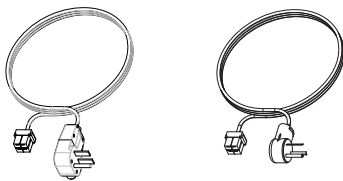
5. REPLACE THE ROOM FRONT

Reinstall the room cover by aligning and placing the top rail of the room cover over the chassis (1), then pushing it in at the bottom (2).



4. CONNECT POWER CORD OR DIRECT CONNECT KIT

Review installation instructions provided with power cord or direct connect kits for detailed assembly instructions.



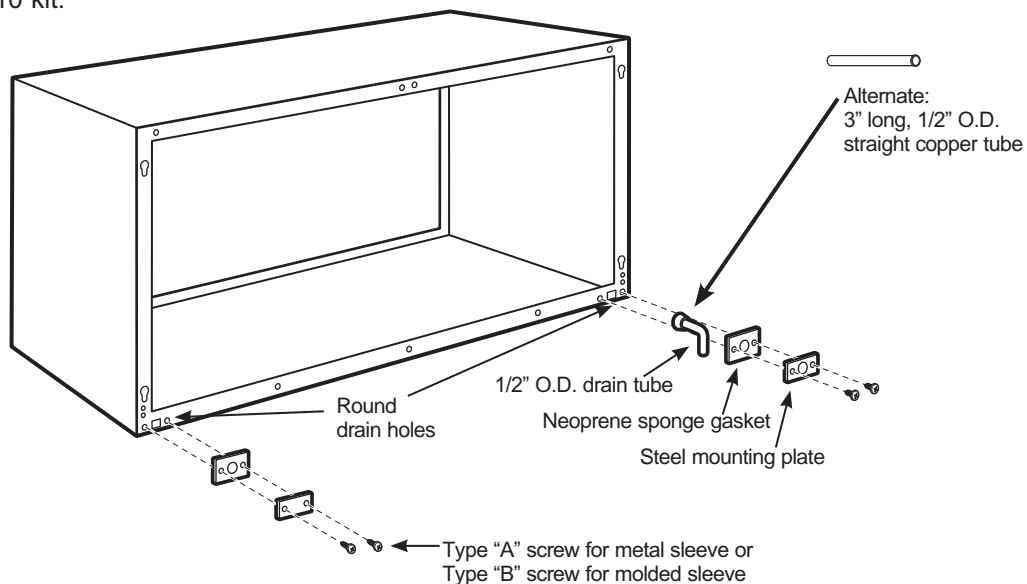
Power supply kit
(Appearance may vary)

Installation Instructions

OPTIONAL—DRAIN KIT INSTALLATION

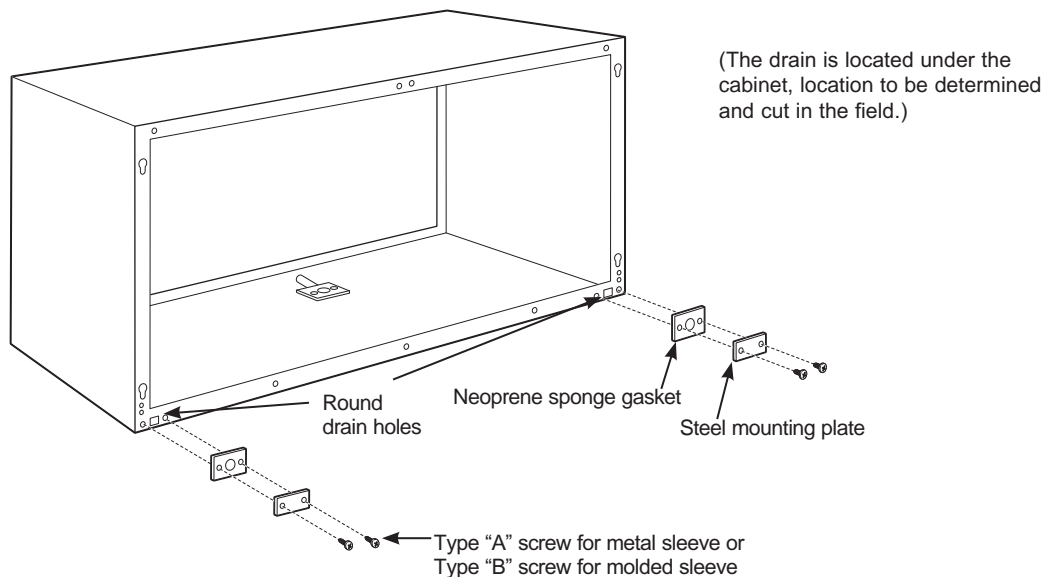
External Drain

See the Installation Instructions in the RAD10 kit.



Internal Drain

See the Installation Instructions in the RAD10 kit.



Troubleshooting Tips... Before you call for service

Save time and money! Review the charts on the following pages first and you may not need to call for service.

Problem	Possible Cause	What To Do
Zoneline does not start.	The unit is unplugged.	Make sure the Zoneline plug is pushed completely into the outlet.
	The power cord is not firmly attached.	Remove the room cover and make sure that the black connector on the end of the power cord is firmly engaged.
	The fuse is blown/circuit breaker is tripped.	Check the house fuse/circuit breaker box and replace the fuse or reset the breaker.
	The unit is waiting for the compressor overload protector to reset.	This is normal. The Zoneline will start again after it resets.
	Power Failure.	There is a protective time delay (up to 3 minutes) to prevent tripping of the compressor overload. For this reason, the unit may not start normal heating or cooling for 3 minutes after it is turned back on.
	The power cord current interrupter device is tripped.	Press the RESET button located on the power cord plug or the box near the plug. If the RESET button will not stay engaged, discontinue use of the Zoneline and contract a qualified service technician.
Zoneline does not cool or heat as it should.	Indoor airflow is restricted.	Make sure there are not curtains, blinds or furniture blocking the front of the Zoneline.
	Outdoor airflow is restricted or recirculated.	Make sure the rear grille is not restricted. This can cause the unit to cycle off due to the compressor overload protector. Outdoor grille must have a minimum of 65% free area. Non-GE Appliances grills may be too restrictive for proper performance. Consult your salesperson for assistance.
	The temp control may not be set properly.	Turn the control to the lower or higher setting. NOTE: The temperature limiting feature may be restricting the temperature range.
	The air filter is dirty.	Clean or change the filter at least every 30 days. See the Care and Cleaning section
	Outdoor air is entering the room.	Set the vent control to the closed position. NOTE: Units equipped with makeup ventilation will continuously allow some outdoor air into the room.
Burning odor at the start of heating operation.	Dust on the surface of the heating elements.	This can cause a "burning" odor at the beginning of the heating operation. This should quickly fade.

Troubleshooting Tips... Before you call for service

Save time and money! Review the charts on the following pages first and you may not need to call for service.

Problem	Possible Cause	What To Do
The air is not always cool or hot during operation.	The heat pump is not producing hot air.	This is normal. The heat pump will produce warm air but not as hot as air produced when the higher-cost electric heat is used.
	The Smart Fan Auxiliary control may be set to continuous fan.	This causes the fan to blow room temperature air even when the compressor or heater cycles off. The continuous air movement provides better overall temperature control in the cool mode. See Smart Fan-Cooling/Heating section on page 8.
The air does not feel warm enough during heating operation	The heat pump alone produces air that feels cooler than desired.	Use the Electric Heat Option. This turns off the heat pump and warms with electric heat only. NOTE: Use of this option will result in increased energy consumption.
The unit is not blowing out air	The Smart Fan Auxiliary Controls may be set to cycle.	See Smart Fan - Cooling/Heating section on page 8.
The electric heating and fan features do not work	The power cord is not firmly attached.	Remove the room cover and make sure that the black connector on the end of the power cord is firmly engaged.
Temperature display flashes	The control panel is locked.	Press and hold the DISPLAY Show/Hide button for 10+ seconds to unlock the display. See Control Lock Out section on page 6.
The unit does not function after installing Remote Wall Thermostat	Aux Mode 6 not set properly.	Check Aux Mode 6 to be sure switch on "on" for Remote Thermostat, see page 10.
	Unit thermostat connections are incorrect.	Verify wiring from Remote Wall Thermostat is correct to unit thermostat connector.
	Low voltage transformer resets or opens with short.	To reset the low voltage transformer: unplug the unit from power, wait ~ 5 minutes, then replug in the unit.
Heat pump operates with electric heat only during heating.	Aux Mode 6 not set properly.	Check Aux Mode 6 is set for the appropriate remote wall thermostat, either "F" for manual changeover thermostats where you select cool or heat or "A" for "Auto Change Over", see page 10.
	Aux Mode 8 not set properly.	Check Aux Mode 8 to be sure switch is "off" for heat pump operation, see page 11.
UVC indicator LED is not illuminated	Aux Mode C is not set properly	Check Aux Mode C to be sure switch is "ON" for UVC operation, see page 12
	Indoor fan is not on	UVC light is designed to function only while indoor fan is running. See Smart Fan Mode 1 on page 5 to change fan settings.

Things that are normal

Normal Operating Sounds



You may hear a pinging noise caused by water being picked up and thrown against the condenser on rainy days or when the humidity is high. This design feature helps remove moisture and improve efficiency.

“CLICK”

You may hear relays click when the controls cycle on and off or are adjusted to change the room temperature.



Water will collect in the base pan during high humidity or on rainy days. The water may overflow and drip from the outdoor side of the unit.



The indoor fan runs continuously when the unit is operating in the cooling mode, unless the Smart Fan Auxiliary Control is set to cycle. The cycle selection will cause the fan to cycle on and off with the compressor. You may also hear a fan noise stop and start.

There are times when the fan on the unit will run even when the unit is not heating or cooling. If the system is set up to be in continuous fan the indoor fan will run regardless if the unit may be cooling or heating. Other times the fan will run longer than the heating/cooling cycle or kick on occasionally. This is normal and is done to improve room comfort and balance.

If the unit is equipped with a make-up air ventilation system, some fans will run continuously.

Digital makeup air unit will perform a system check upon power up, power cycle, and once every 7 days if the unit is in occupancy mode. The system check lasts approximately 45 seconds. During this time the makeup air fans will speed up, slow down and then go to the set point.

3-Minute
Delay



You may notice a few minutes delay in starting if you try to restart the Zoneline too soon after turning it off or if you adjust the thermostat right after the compressor has shut off. This is due to a built-in restart protector for the compressor that causes a 3-minute delay.

SILENCE

During the defrost cycle, both the indoor and outdoor fans stop and the compressor operates in the cooling mode to remove frost from the outdoor coil. After defrost, the unit will restart in electric heat to quickly warm the room to the desired comfort level.

COMPRESSOR
PROTECTION

To protect the compressor and prevent short cycling, the unit is designed to run for a minimum of 3 minutes after the compressor starts at any thermostat setting.

Product Registration

Follow these three steps to protect your new appliance investment:

1 Complete and mail your Consumer Production Registration today. Have the peace of mind of knowing we can contact you in the unlikely event of a safety modification.

2 After mailing the registration below, store this document in a safe place. It contains information you will need should you require service. Our service number is 844-GE4-PTAC (or 844-434-7822).

3 Read your Owner's Manual carefully. It will help you operate your new appliance properly.

✂ cut here

CONSUMER PRODUCT OWNERSHIP REGISTRATION

Three ways to register your appliance:



SCAN
this code with your smart-phone app

GO ONLINE
geappliances.com/register

COMPLETE & MAIL
this registration card

Product:
Model:
Serial:

Mr. Mrs. Ms.

First Name Last Name

Street Address Apt.#

Email Address

We'll use your email address to send you information about your product, as well as discounts and other offers from GE Appliances

City State ZIP Code

Month Day Year Phone Number ()

Date appliance was installed or placed in use

GE Appliances takes your privacy seriously. All information you provide shall be held in strict accordance with the GE Appliances Privacy Policy. Read the full policy at www.geappliances.com/privacy/privacy_policy.htm.

geappliances.com/register

Revised 6/15
245D1499P001

✂ cut here

FOR CANADIAN CONSUMERS / POUR LES CONSOMMATEURS CANADIENS

OWNERSHIP REGISTRATION CERTIFICATE FICHE D'INSCRIPTION DU PROPRIETAIRE

MODEL/MODÈLE

SERIAL/SÉRIE

P.O. BOX/C.P. 1780
MISSISSAUGA, ONT. L4V 4G1

INSTALLATION DATE Y/A M
DATE D'INSTALLATION

PLEASE COMPLETE AND RETURN THIS CARD IMMEDIATELY TO ENABLE US TO CONTACT YOU IN THE REMOTE EVENT A SAFETY NOTIFICATION IS ISSUED FOR THIS PRODUCT.

VEUILLEZ REMPLIR ET RETOURNER LA PRÉSENTE FICHE SANS TARDER AFIN DE NOUS PERMETTRE DE COMMUNIQUER AVEC VOUS SI JAMAIS UN AVIS DE SÉCURITÉ CONCERNANT CE PRODUIT ÉTAIT ÉMIS.

CHECK ONE COCHEZ	MR. <input type="checkbox"/> MISS <input type="checkbox"/>	MRS. <input type="checkbox"/> MILLE <input type="checkbox"/>	FIRST NAME/PRÉNOM	LAST NAME/NOM
STREET NO. N° RUE		STREET NAME/RUE		APT.NO./APP./RR#
CITY/VILLE		PROVINCE	POSTAL CODE/POSTAL	
AREA CODE IND. REG.	TELEPHONE	NAME OF SELLING DEALER/NOM DU MARCHAND		

Canada consumers, visit geappliances.ca/register/index.jsp

CORRESPONDENCE
CORRESPONDANCE

FRENCH
FRANÇAIS

ENGLISH
ANGLAIS

245D1499P002
Revised 06/14

Product Registration

Please place in envelope and mail to:

PRODUCT REGISTRATION DEPARTMENT
PO BOX 34980
LOUISVILLE KY 40232-4980

Please place in envelope and mail to:
Veuillez mettre dans une enveloppe et envoyez à :

OWNERSHIP REGISTRATION
PO BOX 1780
MISSISSAUGA, ONTARIO
L4Y 4G1

GE Appliances Zonline Warranty

All warranty service provided by our Factory Service Centers or an authorized Customer Care[®] technician. To schedule service, on-line, visit us at GEAppliances.com, or call 844-GE4-PTAC (or 844-434-7822). For service in Canada, contact the distributor where the unit was purchased. Please have serial number and model number available when calling for service.

For The Period Of:	GE Will Replace:
One Year From the date of the original purchase	Any part of the air conditioner which fails due to a defect in materials or workmanship. During this limited one-year warranty , GE will provide, free of charge , all labor and related service cost to replace the defective part.
Five Year From the date of the original purchase	Sealed Refrigerating System, if any part of the sealed refrigerating system (the compressor, condenser, evaporator and all connecting tubing including the make up air system) should fail due to a defect in materials or workmanship. During this limited five-year warranty , GE will provide, free of charge , all labor and related service cost to replace the defective part.
Second through Fifth Year From the date of the original purchase	Fan Motors, Switches, Thermostat, Heater, Heater Protectors, Compressor Overload, Solenoids, Circuit Boards, Auxiliary Controls, Thermistors, Freeze Sentinel, Frost Controls, ICR Pump, Capacitors, Varistors and Indoor Blower Bearings , if any of these parts should fail due to a defect in materials or workmanship. During this additional four-year limited warranty , the customer will be responsible for any labor and related service costs.

What GE Will Not Cover:

- **Service trips to your site to teach you how to use the product.**
- **Improper installation, delivery or maintenance.**
If you have an installation problem, or if the air conditioner is of improper cooling capacity for the intended use, contact your dealer or installer. You are responsible for providing adequate electrical connecting facilities.
- **In commercial locations, labor necessary to move the unit to a location where it is accessible for service by an individual technician.**
- **Failure or damage resulting from corrosion due to installation in an environment containing corrosive chemicals.**
- **Replacement of fuses or resetting of circuit breakers.**
- **Failure of the product resulting from modifications to the product or due to unreasonable use, including failure to provide reasonable and necessary maintenance.**
- **Failure or damage resulting from corrosion due to installation in a coastal environment, except for models treated with special factory-applied anti-corrosion protection as designated in the model number.**
- **Damage to product caused by improper power supply voltage, accident, fire, floods or acts of God.**
- **Incidental or consequential damage to personal property caused by possible defects with this air conditioner.**
- **Damage caused after delivery.**
- **Product not accessible to provide required service.**

EXCLUSION OF IMPLIED WARRANTIES—Your sole and exclusive remedy is product repair as provided in this Limited Warranty. Any implied warranties, including the implied warranties of merchantability or fitness for a particular purpose, are limited to one year or the shortest period allowed by law.

This warranty is extended to the original purchaser and any succeeding owner for products purchased for use within the USA and Canada. If the product is located in an area where service by a GE Appliances Authorized Servicer is not available, you may be responsible for a trip charge or you may be required to bring the product to an Authorized GE Appliances Service location for service. In Alaska, the warranty excludes the cost of shipping or service calls to your site.

Some states or provinces do not allow the exclusion or limitation of incidental or consequential damages. This warranty gives you specific legal rights, and you may also have other rights which vary from state to state or province to province. To know what your legal rights are, consult your local, state or provincial consumer affairs office or your state's Attorney General.

Warrantor: GE Appliances, a Haier company

Staple your receipt here. Proof of the original purchase date is needed to obtain service under the warranty.

Consumer Support

GE Appliances Website

Have a question or need assistance with your appliance? Try the GE Appliances Website 24 hours a day, any day of the year! You can also shop for more great GE Appliances products and take advantage of all our on-line support services designed for your convenience. In the US: GEAppliances.com

Register Your Appliance

Register your new appliance on-line at your convenience! Timely product registration will allow for enhanced communication and prompt service under the terms of your warranty, should the need arise. You may also mail in the pre-printed registration card included in the packing material. In the US: GEAppliances.com/register

Schedule Service

Expert GE Appliances repair service is only one step away from your door. Get on-line and schedule your service at your convenience any day of the year. In the US: GEAppliances.com/ge/service-and-support/service.htm or call 844.GE4.PTAC (844.434.7822) during normal business hours. For service in Canada, contact your distributor.

Extended Warranties

Purchase a GE Appliances extended warranty and learn about special discounts that are available while your warranty is still in effect. You can purchase it on-line anytime. GE Appliances Services will still be there after your warranty expires. In the US: GEAppliances.com/ge/service-and-support/shop-for-extended-service-plans.htm or call 800.626.2224 during normal business hours.

Remote Connectivity

For assistance with wireless network connectivity (for models with remote enable), visit our website at GEAppliances.com/ge/connected-appliances/ or call 800.220.6899 in the US.

Parts and Accessories

Individuals qualified to service their own appliances can have parts or accessories sent directly to their homes (VISA, MasterCard and Discover cards are accepted). Order on-line today 24 hours every day. In the US: GEApplianceparts.com or by phone at 877.959.8688 during normal business hours.

Instructions contained in this manual cover procedures to be performed by any user. Other servicing generally should be referred to qualified service personnel. Caution must be exercised, since improper servicing may cause unsafe operation.

Contact Us

If you are not satisfied with the service you receive from GE Appliances, contact us on our Website with all the details including your phone number, or write to:

In the US: General Manager, Customer Relations | GE Appliances, Appliance Park | Louisville, KY 40225
GEAppliances.com/ge/service-and-support/contact.htm



Zoneline® CLIMATISEUR

INFORMATION DE SÉCURITÉ...3

UTILISATION DU ZONELINE

- Panneau de commande.....4
- Retrait du couvercle côté pièce.....5
- Direction du flux d'air.....5
- Commande de la ventilation.....5
- Commandes auxiliaires.....6
- Thermostat distant..... 11
- Air d'appoint.....12

ENTRETIEN ET NETTOYAGE

- Couvercle côté pièce et boîtier..... 13
- Serpentins extérieurs.....13
- Plateau de fond.....13
- Filtre des événements de ventilation.....13
- Filtres à air.....14

INSTRUCTIONS D'INSTALLATION

- Avant de commencer.....15
- Remplacement d'un appareil existant...16
- Raccordement électrique.....17
- Installation du zoneline..... 20
- Trousse de drainage en option.....22

CONSEILS DE DÉPANNAGE.....23

- Bruits de fonctionnement normaux.....25

SOUTIEN AU CONSOMMATEUR

- Inscription du propriétaire
d'électroménager.....27
- Garantie..... 29
- Inscription du propriétaire
d'électroménager..... 30

MANUEL D'UTILISATION

AZ45

AZ65

Inscrivez les numéros de modèle
et de série ici :

No modèle _____

No série _____

Ces numéros figurent sur une
étiquette dans le haut de la
doublure interne vers le devant
de l'appareil.

NOUS VOUS REMERCIONS D'ACCUEILLIR GE APPLIANCES CHEZ VOUS

Que vous ayez grandi avec GE Appliances ou qu'il s'agisse de votre première acquisition, nous sommes heureux de vous accueillir dans notre famille.

Nous sommes fiers du savoir-faire, de l'innovation et de l'esthétique qui composent chaque appareil GE Appliances, et nous pensons que vous le serez aussi. Dans cette optique, nous vous rappelons que l'enregistrement de votre électroménager vous assure la communication de renseignements importants sur le produit et la garantie lorsque vous en avez besoin.

Enregistrez votre électroménager GE en ligne dès maintenant. Des sites Web et des numéros de téléphone utiles figurent dans la section Soutien au consommateur de ce manuel d'utilisation.

Vous pouvez aussi poster la fiche de garantie préimprimée incluse dans l'emballage.



GE APPLIANCES

CONSIGNES DE SÉCURITÉ IMPORTANTES

LISEZ TOUTES LES INSTRUCTIONS AVANT L'UTILISATION

AVERTISSEMENT

Pour votre sécurité, veuillez observer les consignes de ce manuel afin de réduire le risque d'incendie, d'explosion, de choc électrique, de dommages à la propriété ou de blessures, graves ou fatales.

MESURES DE SÉCURITÉ

- Avant son utilisation, ce climatiseur Zoneline doit être installé correctement en conformité avec les instructions d'installation. Consultez les instructions d'installation au dos de ce manuel.
- Remplacez immédiatement tous les cordons électriques usés ou autrement endommagés. Un cordon électrique endommagé ne doit pas être réparé, il doit être remplacé par un cordon neuf acquis auprès du fabricant. N'utilisez pas un cordon qui présente des fissures ou des marques d'abrasion sur sa longueur, sa fiche ou sa connexion.
- Débranchez le climatiseur Zoneline ou coupez le courant à la boîte de fusibles ou au disjoncteur avant d'effectuer une réparation.

REMARQUE: Nous recommandons vivement que les réparations soient effectuées par une personne qualifiée en la matière.

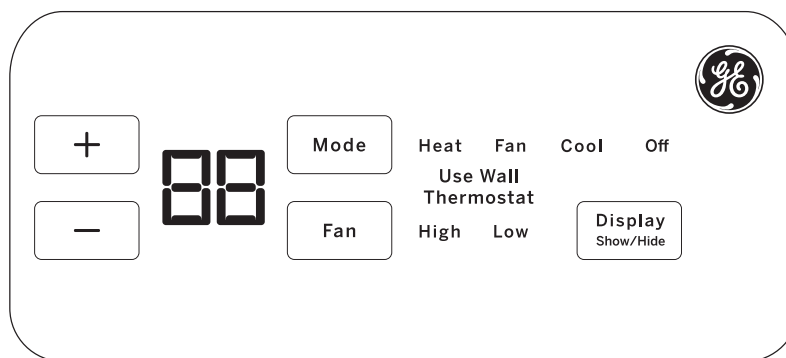
- Les outils, les équipements et les normes de sécurité utilisés par les entrepreneurs et les techniciens doivent être approuvés en fonction du fluide frigorigène dont le système de climatisation R410A du Zoneline est équipé. **N'UTILISEZ PAS d'équipements certifiés relativement au fluide frigorigène R22 seulement.**

Vous remplacez un climatiseur existant?

Pour de plus amples renseignements, veuillez consulter les instructions d'installation de ce manuel.

LIRE ET CONSERVER CES INSTRUCTIONS

Panneau de commande



Panneau de commande

La commande de température sert à maintenir la température ambiante. Le système s'allumera et s'éteindra en alternance pour garder la température ambiante au même degré de confort.

Appuyez sur la touche + pour élever la température.

Appuyez sur la touche – pour baisser la température.

REMARQUE : L'afficheur indique le réglage de température et non la température ambiante.

Commandes du ventilateur, du mode et du fonctionnement

FAN (Ventilateur) : Règle le fonctionnement du ventilateur à la vitesse **HIGH** (Haute) ou **LOW** (Basse).

MODE – COOL (Froid) : Pour refroidir.

FAN (Ventilateur) : Pour faire fonctionner le ventilateur seulement.

HEAT (Chaleur) : Pour réchauffer.

OFF (Arrêt) : Éteint l'appareil. L'alimentation électrique reste branchée au Zoneline. Les fonctions Freeze/Heat Sentinel (Sentinelle Gel/Chaleur) continuent de fonctionner si elles sont actives. Voir la section Freeze/Heat Sentinel à la page 7.

USE WALL THERMOSTAT (Utiliser le thermostat mural) : Ce voyant s'allume lorsque l'appareil est contrôlé par le thermostat mural. Voir la page 8 pour les détails.

Verrouillage du panneau de commande

On peut verrouiller le panneau de commande pour empêcher les usagers de changer le mode de fonctionnement de l'appareil.

Alors que l'appareil est dans le mode de fonctionnement désiré, maintenez une pression sur la touche DISPLAY SHOW/HIDE (Afficher/Dissimuler l'afficheur) pendant 10 secondes pour verrouiller le panneau de commande et le réglage choisi. Toute pression d'une touche par la suite fera clignoter (5 fois) le voyant du mode et la température verrouillée suivi d'un retour en sommeil.

Pour déverrouiller le panneau de commande et retourner au fonctionnement normal, appuyez sur DISPLAY SHOW/HIDE (Afficher/Dissimuler l'afficheur) pendant 10 secondes.

REMARQUE : L'affichage de la température clignotera si le panneau de commande est verrouillé.

REMARQUE : Lorsque l'on bascule entre les modes, le changement de fonctionnement peut prendre plusieurs minutes à compléter.

Récupération rapide de chaleur

Cette fonction s'active à chaque fois que le thermostat passe du mode OFF (Arrêt) ou COOL (Froid) au mode HEAT (Chaleur), sur les modèles qui en sont équipés. Les éléments

chauffants sont activés jusqu'à ce que le point de réglage du thermostat soit atteint. La thermopompe redémarrera au prochain appel de chaleur.

Au sujet de votre thermopompe (AZ65 seulement)

Les thermopompes vous font économiser de l'argent en capturant la chaleur de l'air extérieur – même lorsque la température extérieure est sous le point de congélation – pour la libérer à l'intérieur.

Pour obtenir le meilleur rendement énergétique de votre thermopompe, ne modifiez pas le réglage du thermostat de la pièce de plus d'un degré à la fois. Augmenter la température de 2 ou 3 degrés obligera le Zoneline à utiliser ses éléments chauffants afin d'atteindre rapidement la température réglée.

Les éléments chauffants utilisent davantage d'électricité que les thermopompes et augmentent le coût de fonctionnement.

Le compresseur fonctionne un minimum de 3 minutes quel que soit le réglage afin de prévenir les cycles marche-arrêt courts.

Le ventilateur démarre avant le compresseur et s'arrête après que le compresseur cesse de fonctionner.

Lorsque la température extérieure tombe sous (-3,8 °C) 25 °F, la chaleur est fournie par les éléments chauffants plutôt que par la thermopompe.

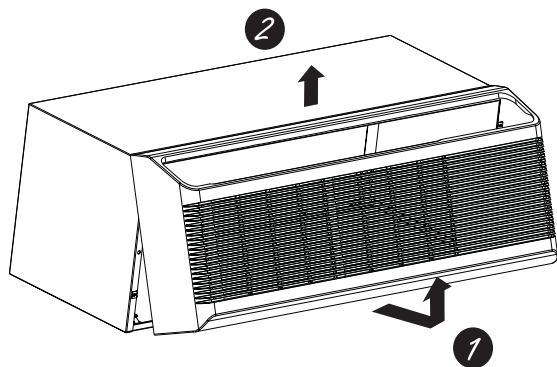
Lorsque la température extérieure tombe sous (1.7°C) 35°F, l'opération de refroidissement est désactivé pour éviter d'endommager le compresseur. L'opération reprendra lorsque la température extérieure s'élève au-dessus de (4.4°C) 40°F.

Utilisation du Zoneline

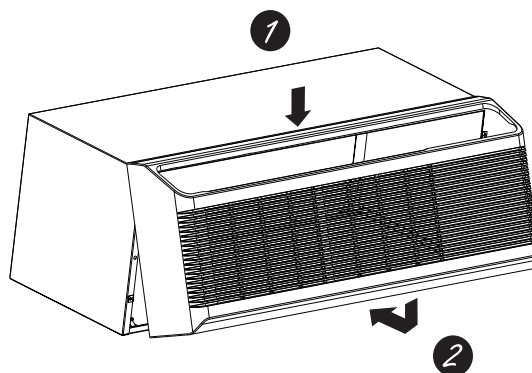
Retrait du couvercle côté pièce

Des commandes supplémentaires se trouvent derrière le couvercle côté pièce.

Pour retirer : Tirez sur le bas pour le dégager des languettes de retenue sur les côtés (1). Puis levez-le (2).

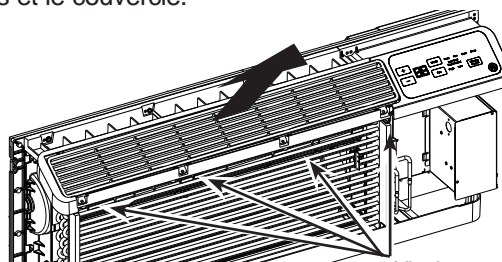


Pour remplacer : Alignez et placez le rail supérieur du couvercle au-dessus du châssis (1). Poussez vers l'intérieur dans le bas jusqu'à ce qu'il s'enclique en place (2).



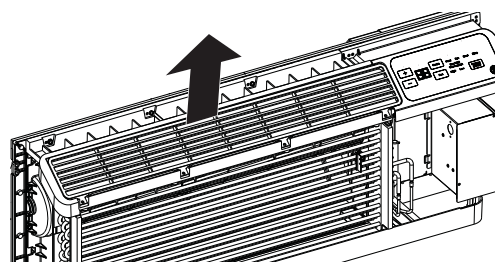
Direction du flux d'air

Pour changer la direction du flux d'air, retirez le couvercle côté pièce. Enlevez les 4 vis qui fixent le déflecteur. Faites pivoter le déflecteur de 180° puis remettez-le en place ainsi que les vis et le couvercle.



Orientation du déflecteur à la livraison (flux d'air à 45° de l'horizontal)

Vis du déflecteur



Modification de l'orientation du déflecteur (flux d'air à 60° de l'horizontal)

Levier de commande de la ventilation*

REMARQUE : Deux vis d'expédition doivent être retirées du panneau de l'évent avant l'utilisation. Consultez les instructions d'installation au dos de ce manuel. Si vous ne prévoyez pas utiliser la fonction de ventilation, laissez les deux vis en place.

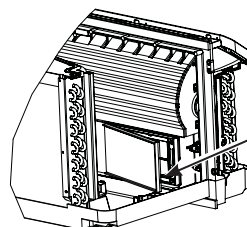
Le levier de commande de la ventilation est situé du côté inférieur gauche du Zoneline, derrière le couvercle côté pièce. Un écrou à oreille permet d'ajuster la position du levier.

En position fermée, seul l'air intérieur de la pièce est mis en circulation et filtré.

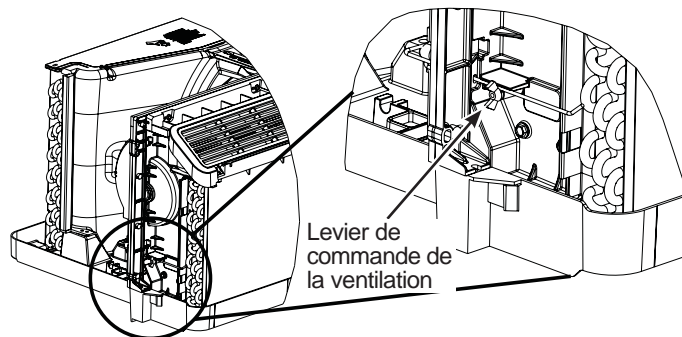
En position ouverte, une certaine quantité d'air extérieur sera admis dans la pièce. Cela réduira l'efficacité du réchauffement ou du refroidissement.

Conseil éconergétique : Gardez le levier de commande dans la position fermée pour empêcher l'air non conditionné de pénétrer dans la pièce.

*Absent sur les unités avec module d'air d'appoint.



Enlever les vis d'expédition (si la fonction de ventilation est désirée)



Levier de commande de la ventilation

Commandes auxiliaires de votre Zonline

Commandes auxiliaires – Bouton Aux Set (Réglages auxiliaires)

Bien que l'appareil soit pré-réglé à ce que la plupart des clients préfèrent, des commandes auxiliaires sont situées derrière le couvercle côté pièce, sous le panneau de commande.

Retirez le couvercle. Voyez la section **Retrait du couvercle côté pièce**, à la page 6.

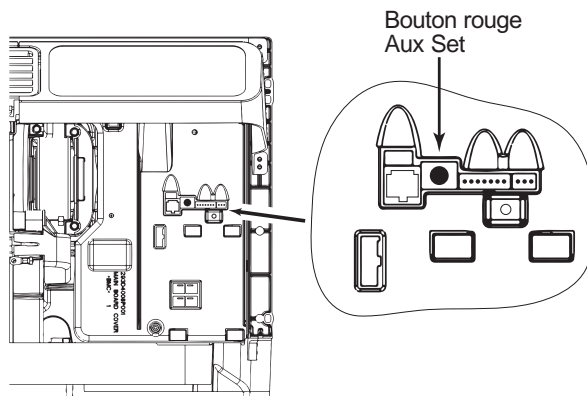
Si le propriétaire modifie les commandes auxiliaires, il est responsable de s'assurer que celles-ci sont réglées sur la fonction souhaitée. Plusieurs fonctions ou modes peuvent être réglés à l'aide du bouton de réglage auxiliaire.

Pour changer les paramètres de fonctionnement ou de réglage, allez d'abord à la commande Mode et éteignez (OFF) l'appareil. Appuyez ensuite sur le bouton **AUX SET** (Réglages auxiliaires), les lettres « AU » s'afficheront sur l'écran.

Appuyez sur la touche Mode du panneau de commande jusqu'à ce que le premier chiffre de l'affichage indique le numéro du mode que vous avez choisi et que le voyant HEAT/COOL (Chaleur/Froid) approprié soit allumé.

Appuyez sur le bouton +/- pour ajuster le réglage si nécessaire (indiqué par le deuxième chiffre de l'affichage).

Appuyez sur le bouton rouge **AUX SET** (Réglages auxiliaires) pour verrouiller la sélection et quitter le mode Aux Set.



Press "Aux Set"		Press "Aux Set"		Press "Aux Set"	
A First Digit	U Second Digit	A First Digit	U Second Digit	A First Digit	U Second Digit
Press "Mode"	Press +/-	Press "Mode"	Press +/-	Press "Mode"	Press +/-
1 Smart Fan	U - Cycle / - Continue	5 Temperature Limit	COOL HEAT 0: 60F-85F 0: 60F-85F 1: 64F-85F 1: 60F-70F 2: 66F-85F 2: 60F-72F 3: 68F-85F 3: 60F-74F 4: 70F-85F 4: 60F-76F 5: 72F-85F 5: 60F-78F 6: 74F-85F 6: 60F-80F 7: 76F-85F 7: 60F-85F	0 Makeup Air Mode *	0: OFF 4: 40CFM 1: 25CFM 5: 45CFM 3: 35CFM 6: 50CFM
2 Temperature Display	F /	6 Class 2 Mode		E Makeup Air Occupancy *	U - Disable / - Enable
3 Sentinel	U - Off / - On	7 Duct Mode *		P Engineering Revision *	Press +/- to match last digit of model number
4 Constant Fan	U - Off / - On	8 All I2R Mode (AZ65 Only)		C UVC Mode *	U - Disable / - Enable
		9 Boost Heat (AZ65 Only)			

U - Off / - On (Cool/Heat) / - On (Auto Change Over)

293D5363P001

* Not available on all models.

MODE 1 Smart Fan—Cooling/Heating (Ventilateur intelligent – Froid/Chaleur)

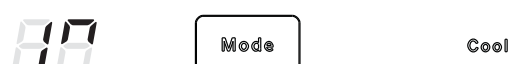
Appuyez sur **MODE** jusqu'à ce que « 1 » soit le premier chiffre de l'affichage pour le mode **Smart Fan - Cool** (Vent. Intell. – Froid). Le voyant COOL du panneau de commande s'allumera. Pour changer le mode Chaleur, appuyez sur **MODE** de nouveau. Le voyant **HEAT** du panneau de commande s'allumera.



Appuyez sur la touche « - » pour allumer-éteindre en alternance le ventilateur intérieur dans le mode Chaleur ou Froid sélectionné [].



Appuyez sur la touche « + » pour faire fonctionner le ventilateur intérieur en continu dans le mode Chaleur ou Froid sélectionné [].



Appuyez sur **AUX SET** pour confirmer votre sélection et quitter le mode **AUX SET**, ou appuyez sur **MODE** pour poursuivre le réglage d'autres fonctions.



Le réglage par défaut pour le Mode 1 est le suivant :
Cooling (Froid) : Continuous (ON) / Continu (Marche)
Heating (Chaleur) : Cycle (OFF) / Cyclique (Arrêt)



***REMARQUE :** En mode Froid cyclique, le ventilateur intérieur s'activera à l'occasion pour vérifier la température de l'air ambiant. En mode Chaleur cyclique, le ventilateur continue de fonctionner pendant plusieurs secondes après l'arrêt de la fonction Chaleur afin d'augmenter l'efficacité de l'appareil.



Commandes auxiliaires de votre Zonline

MODE 2 Fahrenheit / Celsius

Cette fonction permet de basculer les unités de température entre Fahrenheit et Celsius sur l'affichage.

Appuyez sur MODE jusqu'à ce que « 2 » soit le premier chiffre de l'affichage pour le mode Fahrenheit/Celsius.

Appuyez sur la touche « - » pour sélectionner Celsius ou sur « + » pour Fahrenheit. Le deuxième caractère indiquera « F » pour Fahrenheit ou un « C » pour Celsius selon la sélection.



Le réglage par défaut du Mode 2 est Fahrenheit.



MODE 3 Freeze Sentinel/Heat Sentinel (Sentinelle Gel/Sentinelle Chaleur)

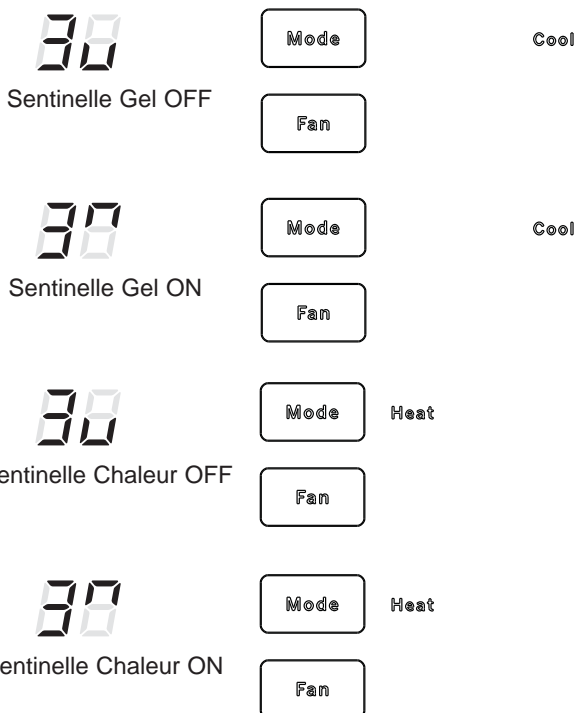
Lorsque l'appareil est sous tension et l'option **Freeze Sentinel** (Sentinelle Gel) sélectionnée, le Zonline fournira de la chaleur automatiquement sans interface utilisateur. Cela prévient de possibles dommages à la plomberie en mettant l'élément chauffant et le ventilateur intérieur à ON (Marche) à 5 °C (41 °F) puis à OFF (Arrêt) une fois que la température de la pièce atteint 7,8 °C (46 °F).

Lorsque **Heat Sentinel** est activé, l'appareil fournit automatiquement de l'air froid sans interface utilisateur. Cela prévient la surchauffe de la pièce en mettant le climatiseur à ON (Marche) à 29,4 °C (85 °F) puis à OFF (Arrêt) une fois que la température de la pièce atteint 26,7 °C (80 °F).

Appuyez sur **MODE** jusqu'à ce que « 3 » soit le premier caractère de l'affichage pour le mode **Freeze Sentinel** (Sentinelle Gel). Le voyant **COOL** sur le panneau de commande s'allumera. Appuyez sur **MODE** de nouveau pour passer à **Heat Sentinel**. Le voyant **HEAT** sur le panneau de commande s'allumera. Appuyez sur la touche « - » pour **OFF** [] ou la touche « + » pour **ON** []. Cela apparaîtra comme le deuxième caractère de l'affichage. Appuyez sur **AUX SET** (Réglages auxiliaires) pour verrouiller la sélection, et quitter le mode **AUX SET**, ou appuyez sur **MODE** pour continuer le réglage d'autres fonctions.


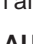
Dans le réglage par défaut du Mode 3: **Heat Sentinel** est à Off et **Freeze Sentinel** à On.

REMARQUE : Ces fonctions sont actives dès le branchement de l'appareil dans une prise, même si l'appareil est hors tension (Off).



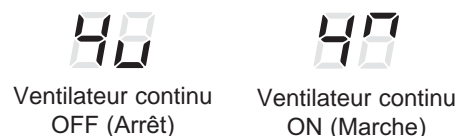
MODE 4 Constant ON Fan (Ventilateur constamment en marche)

Appuyez sur **MODE** jusqu'à ce que le caractère « 4 » soit le premier caractère de l'affichage pour faire tourner le ventilateur continuellement à haute vitesse. **Remarque** : Cela entraîne le fonctionnement continu du ventilateur, même si l'appareil est éteint.

Appuyez sur la touche « - » pour **OFF** [] ou sur la touche « + » pour **ON** []. Cela apparaîtra comme le deuxième caractère de l'affichage.

Appuyez sur **AUX SET** (Réglages auxiliaires) pour verrouiller la sélection et quitter le mode **AUX SET**, ou appuyez sur **MODE** pour continuer le réglage d'autres fonctions.

Le réglage par défaut du Mode 3 est **OFF** (Arrêt).



Commandes auxiliaires de votre Zoneline

MODE 5 Temperature Limiting (Limitation de la température)

La limitation de la température est une fonction qui réduit les coûts énergétiques en limitant la température la plus basse qu'on peut atteindre par refroidissement et la plus haute par réchauffement.

Appuyez sur **MODE** jusqu'à ce que « 5 » apparaisse dans le premier chiffre de l'affichage de la limitation de température. En mode refroidissement, le voyant **COOL** de la commande principale s'allume. Le voyant **COOL** (Froid) sur le panneau de commande s'allumera. Pour changer le mode Heat, appuyez sur **MODE** de nouveau et le voyant **HEAT** (Chaleur) sur le panneau de commande s'allumera.

Pour régler les limites de température, appuyez sur la touche « - » ou « - ». Le deuxième caractère de l'affichage sera entre 0 et 7 selon la limite souhaitée. Le tableau ci-dessous indique les limites disponibles. Appuyez sur **AUX SET** (Réglages auxiliaires) pour verrouiller la sélection et quitter le mode **AUX SET**, ou appuyez sur **MODE** pour continuer le réglage d'autres fonctions.

Limites de température – Froid	Limites de température - Chaud
0 = 60°F à 85°F	0 = 60°F à 65°F
1 = 64°F à 85°F	1 = 60°F à 70°F
2 = 66°F à 85°F	2 = 60°F à 72°F
3 = 68°F à 85°F	3 = 60°F à 74°F
4 = 70°F à 85°F	4 = 60°F à 76°F
5 = 72°F à 85°F	5 = 60°F à 78°F
6 = 74°F à 85°F	6 = 60°F à 80°F
7 = 76°F à 85°F	7 = 60°F à 85°F

Le réglage par défaut du Mode 5 est le suivant :

Cool (Froid) : 2 (66 °F à 85 °F)

Heat (Chaleur) : 5 (60 °F à 78 °F)

52

Mode

Cool

Fan

Limite de température (Froid) – Limite 2

55

Mode

Heat

Fan

Limite de température (Chaleur) – Limite 5

MODE 6 Use Wall Thermostat (Utiliser le thermostat mural)

Le réglage de ce mode à ON permet à l'appareil de fonctionner avec un thermostat mural distant de classe 2.

Appuyez sur **MODE** jusqu'à ce que le caractère « 6 » soit le premier caractère de l'affichage pour le mode **Classe 2**.

Appuyez sur la touche « + » pour mettre l'option à ON " □ " dans le cas des thermostats « climatisation/chauffage standard ». Appuyez sur la touche « + » de nouveau pour mettre l'option à ON " R " dans le cas d'un thermostat à basculement automatique (Auto Change Over). Vous pouvez appuyer sur la touche « - » pour retourner au réglage précédent. **X SET** (Réglages auxiliaires) pour verrouiller la sélection et quitter le mode **AUX SET**, ou appuyez sur **MODE** pour continuer le réglage d'autres fonctions.

Le réglage par défaut du Mode 6 est OFF (Arrêt).

Lorsque ce mode est activé, l'affichage indique « Use Wall Thermostat » (Utiliser le thermostat mural) à la pression de n'importe quelle touche.

60

Classe 2 OFF

60

Classe 2 ON
(Thermostat
à réglage
froid/chaueur)

60

Classe ON
(Thermostats
à basculement
automatique)

MODE 7 Duct Mode (Mode Conduit)

Ce réglage est utilisé lorsque l'appareil est installé avec une trousse d'adaptateur de conduit. Si l'appareil est relié à des conduits, le mode Duct Mode doit être réglé à ON (Marche). Cela augmentera la vitesse du ventilateur pour une circulation d'air appropriée.

Appuyez sur **MODE** jusqu'à ce que « 7 » soit le premier caractère de l'affichage. Appuyez sur la touche « + » ou « - » pour modifier le deuxième caractère à OFF [□] ou ON [R]. Appuyez sur **AUX SET** (Réglages auxiliaires) pour verrouiller la sélection et quitter le mode **AUX SET**.

Appuyez sur **AUX SET** pour verrouiller votre sélection et quitter le mode **AUX SET** ou appuyez sur **MODE** pour continuer à régler d'autres fonctions.

Le réglage par défaut du Mode 7 est OFF (Arrêt).

00

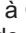
Mode Conduit
OFF



00

Mode
ConduitON

Commandes auxiliaires de votre Zoneline

MODE 8 All-Electric Heat (AZ65 only) [(Chauffage tout électrique) (AZ65 seulement)]

Cette option de chauffage électrique est disponible seulement disponible sur le modèle AZ65. Lorsque cette option est à ON [], le fonctionnement de la thermopompe est bloqué de sorte que l'appareil ne fournit que du chauffage électrique.

Pour régler l'option de chauffage tout électrique, appuyez sur MODE jusqu'à ce que le caractère « 8 » soit le premier caractère de l'affichage. Appuyez sur la touche « + » ou « - » pour mettre ce commutateur à OFF [] ou ON []. Cela apparaîtra comme le deuxième caractère de l'affichage.



Appuyez sur **AUX SET** (Réglages auxiliaires) pour verrouiller la sélection et quitter le mode **AUX SET**, ou appuyez sur **MODE** pour continuer le réglage d'autres fonctions.


Chauffage
tout électrique
OFF


Chauffage
tout électrique
ON

MODE 9 Heat Boost (AZ65 only) [(Chaleur supplémentaire) (AZ65 seulement)]

Lorsque **Heat Boost** (Chaleur supplémentaire) est à ON et que les températures extérieures se situent entre 3,9 °C (25 °F) et 7,8 °C (46 °F), une chaleur électrique supplémentaire est ajoutée au fonctionnement de la thermopompe afin de maintenir une température ambiante constante et confortable.

Pour régler l'option **Heat Boost** (Chaleur supplémentaire), appuyez sur **MODE** jusqu'à ce que le caractère « 9 » soit le premier caractère de l'affichage. Appuyez sur la touche « + » ou « - » pour mettre ce commutateur à OFF [] ou ON []. Cela apparaîtra comme le deuxième caractère de l'affichage. Appuyez sur **AUX SET** (Réglages auxiliaires) pour verrouiller la sélection et quitter le mode **AUX SET** ou


appuyez sur **MODE** pour continuer à régler d'autres fonctions. Le réglage par défaut du Mode 9 est OFF (Arrêt).


Chaleur
supplémentaire
OFF


Chaleur
supplémentaire
ON

MODE 0 Vitesse de ventilateur du module d'air d'appoint numérique (Disponible uniquement sur les modèles avec air d'appoint)

Appuyez sur **MODE** jusqu'à ce que 0 soit le premier caractère de l'affichage pour le mode Air d'appoint numérique. Pour éteindre le module ou changer les vitesses de ventilateur, appuyez sur la touche « + » ou « - ». « 00 » indique que le module est éteint. « 01 » = module allumé avec ventilateurs réglés à 25 pi3/min, « 02 » = module allumé avec ventilateurs réglés à 30 pi3/min, etc.


Le réglage par défaut du Mode 0 est « activé » (ON) avec vitesse de ventilateur de 35 pi3/min "  "

Appuyez sur **AUX SET** pour verrouiller votre sélection et quitter le mode **AUX SET** ou appuyez sur **MODE** pour continuer à régler d'autres fonctions. **REMARQUE** : L'arrêt du ventilateur ferme aussi le volet du conduit d'air d'appoint.

MODE E Détection d'occupation du module d'air d'appoint numérique

La fonction de détection d'occupation du module d'air d'appoint permet à l'appareil de fermer l'air d'appoint lorsque la pièce est inoccupée et qu'un thermostat avec signal de détection d'occupation approuvé est utilisé.

Pour activer la détection d'occupation et désactiver le système d'air d'appoint lorsque la pièce est inoccupée, appuyez sur **MODE** jusqu'à ce que « E » soit le premier caractère

d'affichage. Appuyez sur la touche « + » pour régler la détection d'occupation à ON "  ".

Le réglage par défaut du Mode E est OFF "  ".

Appuyez sur **AUX SET** pour verrouiller votre sélection et quitter le mode **AUX SET** ou appuyez sur **MODE** pour continuer à régler d'autres fonctions.

MODE P Configuration de l'examen technique

Ce réglage est utilisé pour configurer l'appareil après le remplacement de la carte de circuit imprimé.

L'appareil passera automatiquement à ce mode la première fois que l'appareil est mis sous tension après avoir installé la carte de circuit imprimé. L'IU affichera « P1 ». Appuyez sur la touche « + » du clavier jusqu'à ce que le chiffre correspondant à l'examen technique, comme montré. L'examen technique est le dernier chiffre du numéro de modèle. Appuyez sur « **AUX SET** » pour sauvegarder et quitter.

L'examen technique doit être réglé après le premier cycle de mise sous tension en utilisant « **AUX SET** » (configuration **AUX**). Appuyez sur la touche « **MODE** » jusqu'à ce que la lettre « **P** » apparaisse comme premier chiffre et suivez ensuite les étapes ci-dessus.

Appuyez sur **AUX SET** pour verrouiller votre sélection et quitter le mode **AUX SET** ou appuyez sur **MODE** pour continuer à régler d'autres fonctions



Exemple de nomenclature AZ45E09DABW2


Examen technique



Commandes auxiliaires de votre Zoneline

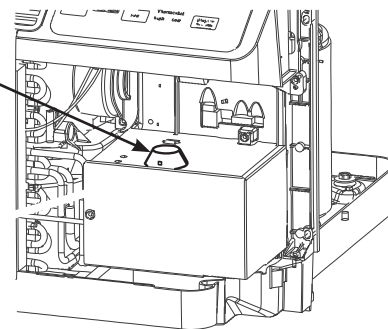
MODE C Lumière ultraviolette C (UVC) (Disponible uniquement sur les modèles équipés du dispositif UVC)

Pour activer la fonction de lumière UVC, pressez MODE jusqu'à voir apparaître un « C » dans le premier caractère de l'affichage. Pressez la touche « + » ou « - » pour désactiver (OFF «  ») ou activer (ON «  ») la lumière UVC.

Le réglage par défaut pour le mode C est OFF «  ».

Appuyez sur AUX SET pour verrouiller votre sélection et quitter le mode AUX SET ou appuyez sur MODE pour accéder au début des réglages auxiliaires.

Le voyant sur le dessus de la boîte de jonction s'allume lorsque la fonction UVC est active.



Commandes auxiliaires – Bornes de raccordement

Les connexions des bornes des commandes auxiliaires se situent derrière le couvercle côté pièce, au-dessous des commandes de l'appareil.

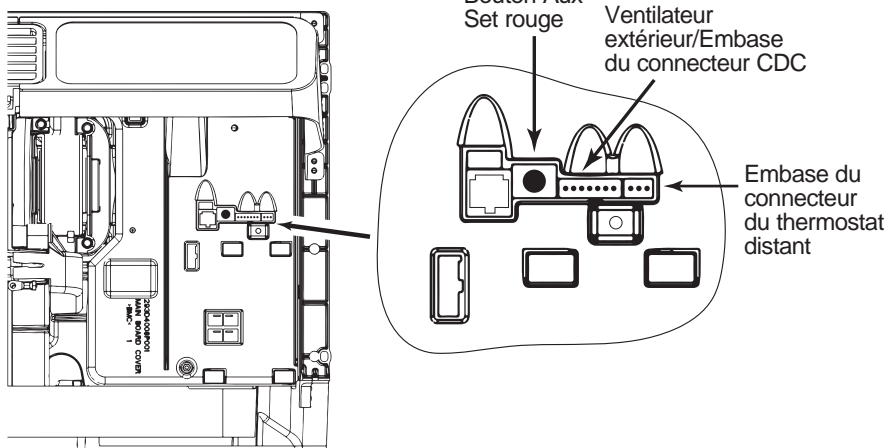
1. Mettez l'appareil hors tension et débranchez-le
2. Retirez le couvercle côté pièce. Voyez la section Retrait du couvercle côté pièce.
3. Pour connecter les fils, insérez les connecteurs dans les bornes correspondantes sur la boîte de commande.
4. Lorsque toutes les connexions désirées sont terminées,

remplacez le couvercle.

Le propriétaire est responsable de réaliser tous les raccordements et le réglage du mode AUX SET appropriés.

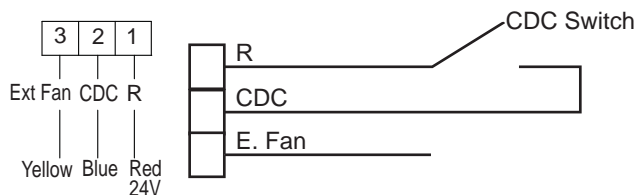
AVIS :

Un raccordement de fils incorrect peut endommager l'électronique du Zoneline. Il est interdit d'utiliser une barre omnibus, cela pourrait causer des dommages ou rendre le fonctionnement irrégulier. Une paire de fils distincte doit être acheminée depuis chaque commutateur distinct jusqu'à chaque appareil Zoneline.



Poste de commande central (Central Desk Control / CDC) (Livraison sur site)

La fonction de poste de commande central permet d'activer ou désactiver l'appareil depuis un endroit distant. L'activation de cette fonction nécessite de connecter un commutateur ON-OFF (Marche-Arrêt) sur le site distant à deux bornes CDC sur le panneau de commande du Zoneline. Lorsque l'interrupteur éloigné est FERMÉ, l'appareil ne peut pas fonctionner dans les modes Fan, Cool ou Heat via les commandes locales. Les fonctions Sentinelle du gel et Sentinelle de chaleur demeurent utilisables. Lorsque le commutateur distant est Ouvert, l'appareil est entièrement utilisable par la commande locale.



REMARQUE : La fonction CDC ne peut pas être utilisée dans les modes DBM et EBM lorsque la détection d'occupation est activée.

Air d'appoint et détection d'occupation

Le fil CDC peut servir une fonction différente sur les modèles avec air d'appoint si désiré.

Lors de l'utilisation d'un thermostat approuvé avec un signal de détection d'occupation normalement ouvert, le filage vers la borne CDC peut être configuré pour arrêter le système d'air d'appoint lorsque la pièce est inoccupée.

Pour que la fonction CDC fonctionne en détection d'occupation

et qu'elle contrôle l'air d'appoint selon l'occupation, le MODE E (voir page 11) DOIT être ACTIVÉ.

Si le mode E est désactivé, le signal active la fonction CDC et éteint l'appareil lorsque la pièce est inoccupée, ce qui entraîne des températures et une humidité incontrôlées.

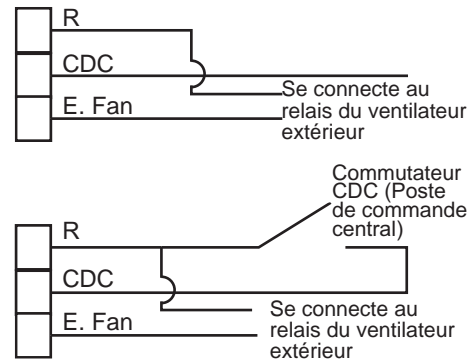
Voir les informations supplémentaires concernant le modèle avec air d'appoint à la page 14.

Commandes auxiliaires de votre Zoneline

Ventilateur extérieur (Installation sur site)

Lorsqu'il est connecté, un ventilateur auxiliaire ou extérieur peut être contrôlé en même temps que le moteur du ventilateur intérieur du Zoneline. Les raccordements procurent un courant 24 VCA pour alimenter un relais distant.

Pour activer cette fonction, il faut installer une nouvelle carte principale de rechange et un accessoire RAKCDC. Pour les numéros de modèle se terminant par W5 ou supérieur, utilisez la carte principale WP26X25056 (pour les anciens modèles avec W4 ou inférieur, utilisez la carte WP26X22240)



Thermostat distant (acheté localement)

La trousse de connecteur de thermostat à distance RAKTK8PA1* est nécessaire pour permettre l'utilisation d'un thermostat mural à distance au lieu des commandes sur le Zoneline

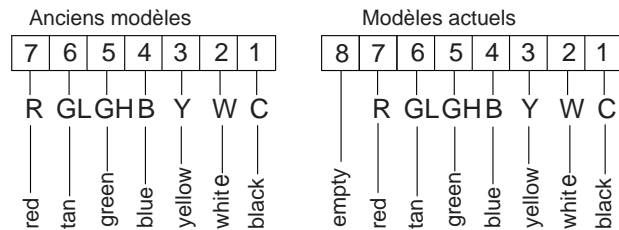
Les appareils reliés à un thermostat distant fonctionnent différemment puisque la mesure de la température de l'air intérieur passe de l'appareil au thermostat. Le tableau suivant indique le fonctionnement de l'appareil relié à un thermostat distant.

IMPORTANT : Les raccordements du thermostat Zoneline procurent du courant 24 VCA seulement.

Si l'on utilise un thermostat mural numérique/électronique, il faut le régler pour un courant de 24 VCA. Voyez la rubrique sur le thermostat mural dans la section Instructions d'installation.

AVIS :

Un dommage au thermostat mural ou à l'électronique du Zoneline peut résulter de raccordements erronés. Le raccordement des fils nécessite un soin particulier. Aucun raccordement à la tension de secteur ne doit être effectué sur quelque circuit que ce soit. Isolez tous les fils du bâtiment de la tension de secteur.



Fonction actives de L'APPAREIL lors de l'utilisation d'un thermostat à distance

Fonction	Thermopompe	Chauffage électrique
Contrôle du gel intérieur	Oui	Oui
Sentinelle du gel	Oui	Oui
Limation de température électronique	Non	Non
Passage au chauffage par résistance selon la température intérieure	Déterminé par le thermostat distant	S/O
Passage au chauffage par résistance selon la température extérieure	Oui	S/O
Dégel en cycle inversé	Oui	S/O
Chauffage par résistance partiel et par thermopompe simultanément	Oui	S/O
Blocage du chauffage par résistance	Oui	S/O
Cyclage de la « ventilation intelligente »	Fonction Ventilateur MARCHE/AUTO réglée sur thermostat distant	Fonction Ventilateur MARCHE/AUTO réglée sur thermostat distant
Poste de commande central	Oui	Oui

REMARQUE : Le réglage du mode Classe 2 (Mode 6) doit être réglé à ON [\square] pour que l'appareil fonctionne avec un thermostat mural distant de classe 2. (Voir les instructions d'installation fournies avec le thermostat et les instructions sur ce mode à la page 8.)

Aussi disponible dans un paquet de dix – RAKTK8PA10

Modèles avec air d'appoint (pas sur tous les appareils)

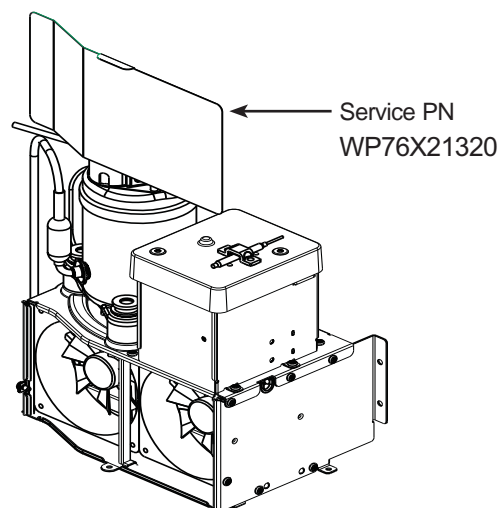
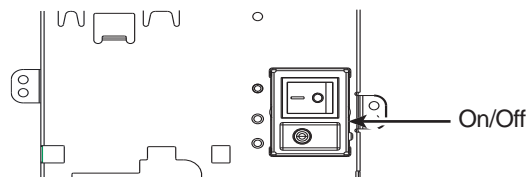
Le système de ventilation avec air d'appoint est conçu pour fournir de l'air extérieur en continu par la porte d'évent jusque dans la pièce. En plus de procurer de l'air frais, il déshumidifie l'air entrant lorsque son humidité relative est supérieure à 55 %.

*Modèles DAM

Le système de ventilation avec air d'appoint est commandé par un interrupteur situé sur le devant du couvercle de commande électrique sous le devant côté pièce du Zoneline. Le système s'allume et s'éteint par une pression du bouton ON (I) / OFF (O) comme illustré.

Dans le cas où le Zoneline doit fonctionner en tant que PTAC (chauffage électrique) ou PTHP (thermopompe) seulement, les étapes suivantes doivent être observées :

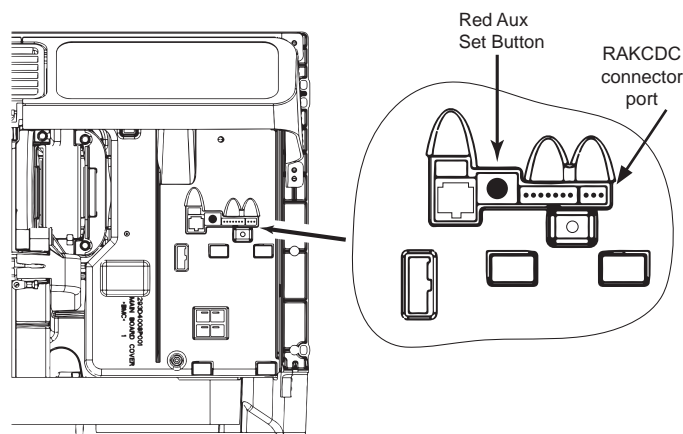
1. Commandez la pièce no WP76X21320.
2. Débranchez le Zoneline.
3. Retirez le couvercle côté pièce.
4. Éteignez le système de ventilation en pressant le bouton Marche/Arrêt à la position (O) (voir l'illustration ci-dessus pour son emplacement).
5. Tirez le Zoneline de son logement mural et posez la pièce no WP76X21320 comme illustré.
6. Poussez le Zoneline dans son logement mural et rétablissez l'alimentation électrique à l'appareil.



*Modèles DBM et EBM

Le système de ventilation avec air d'appoint est commandé au moyen du menu auxiliaire du Zoneline (voir la section Commandes auxiliaires). Pour allumer ou éteindre le système, suivez les instructions ci-dessous :

1. Retirez le couvercle côté pièce.
2. Appuyez sur le bouton de réglage de mode et éteignez l'appareil.
3. Appuyez sur le bouton AUX SET (Réglages auxiliaires) (« AU » apparaît sur l'afficheur).
4. Pour éteindre le module d'air d'appoint, appuyez sur le bouton de réglage de mode jusqu'à ce que « 0 » soit le premier caractère d'affichage. Voyez Réglages auxiliaires à la page 8 et Mode 0 à la page 11.
5. Appuyez sur le caractère « - » du panneau de commande jusqu'à voir apparaître « 00 » afin d'éteindre le module d'air d'appoint et fermez la porte du conduit d'air d'appoint.
6. Le système est pré-réglé à l'usine à 35 pi³/min. Pour changer cette valeur, appuyez sur « + » ou « - » pour obtenir la vitesse de ventilateur désirée : 1 = 23 pi³/min, 2 = 30 pi³/min, 3 = 35 pi³/min, 4 = 40 pi³/min, 5 = 45 pi³/min et 6 = 50 pi³/min.
7. Appuyez de nouveau sur le bouton Aux rouge pour enregistrer vos modifications. Remettez ensuite le Zoneline en marche pour revenir au fonctionnement normal.



REMARQUE: Les appareils avec appoint d'air numériques effectuent une vérification du système au démarrage, lors des cycles marche-arrêt et une fois à tous les 7 jours si l'appareil est en mode d'occupation. (Mode E activé). La vérification du système dure environ 45 secondes. Pendant ce temps, les ventilateurs d'air d'appoint s'accroissent, ralentissent, puis passent au point de consigne.

ENTRETIEN ET NETTOYAGE

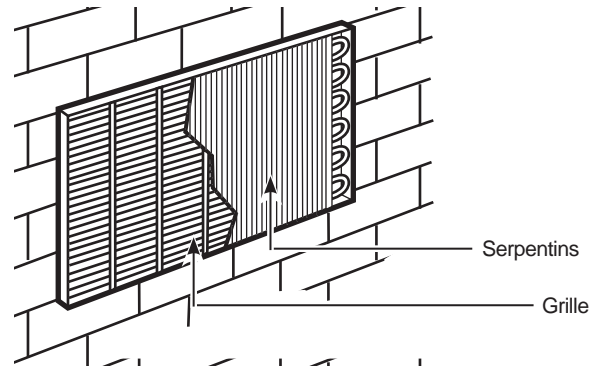
Couvercle côté pièce et boîtier

Éteignez le Zoneline et débranchez l'alimentation électrique.

Pour nettoyer, utilisez une solution d'eau et de détergent doux. N'utilisez ni javellisant ni abrasifs. Certains nettoyants du commerce peuvent endommager les composants en plastique.

Serpentins extérieurs

Les serpentins situés du côté extérieur du Zoneline doivent être inspectés régulièrement. S'ils sont obstrués par de la saleté ou de la suie, il faut employer une méthode de nettoyage à basse ou sans pression. Assurez-vous que les zones et les composants électriques sont protégés pendant le nettoyage. Vous devez retirer l'appareil de son logement mural pour inspecter les serpentins. **L'accumulation de saleté se produit du côté ventilateur des serpentins extérieurs.**



Nettoyez les serpentins extérieurs régulièrement.

Plateau de fond

Dans certaines installations, de la saleté ou d'autres débris peuvent être soufflés dans l'appareil depuis l'extérieur et se déposer dans le plateau de fond (dans le bas de l'appareil).

Dans certaines régions, une substance à l'aspect de gel ou de vase peut apparaître naturellement dans le plateau de fond

Procédez à une inspection régulièrement et nettoyez s'il y a lieu.

Sur les modèles de la série 4500, ne retirez pas le bouchon d'évacuation en caoutchouc du plateau.

Filtre des événements de ventilation

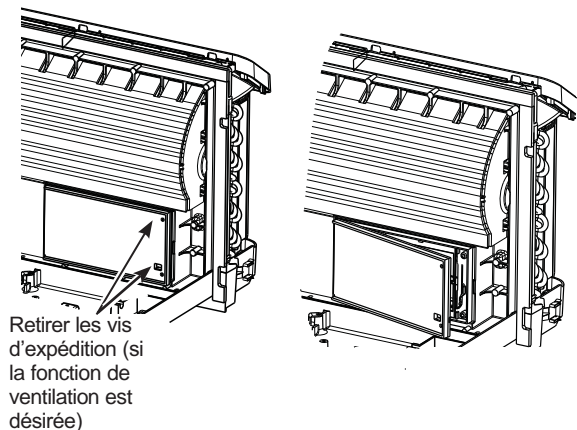
Si le panneau à événements est ouvert, nettoyez le filtre des événements deux fois l'an ou au besoin. Pour y accéder, il faut retirer l'appareil de son logement mural.

Éteignez le Zoneline et débranchez-le avant de le retirer et le nettoyer.

Pour nettoyer le filtre des événements :

IMPORTANT: Ce filtre n'est pas amovible. Tenter de le retirer endommagera l'appareil.

- Utilisez un aspirateur pour retirer les particules du filtre.
- Après l'aspirateur, utilisez un chiffon humide pour essuyer le filtre et alentour.

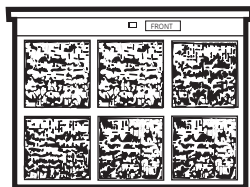


Retirer les vis d'expédition (si la fonction de ventilation est désirée)

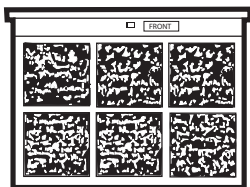
ENTRETIEN ET NETTOYAGE

Pour maintenir un rendement optimal, nettoyez les filtres tous les 30 jours au minimum.

Filtres à air



Filtre sale – Nécessite un nettoyage



Filtre obstrué – Restreint fortement le refroidissement, le chauffage et la circulation d'air.

Éteignez le Zoneline avant le nettoyage.

Le geste le plus important que vous pouvez faire pour maintenir le Zoneline en état est de nettoyer le filtre tous les 30 jours au minimum. Les filtres obstrués gênent le refroidissement, le chauffage et la circulation d'air.

Garder ces filtres propres procure les avantages suivants :

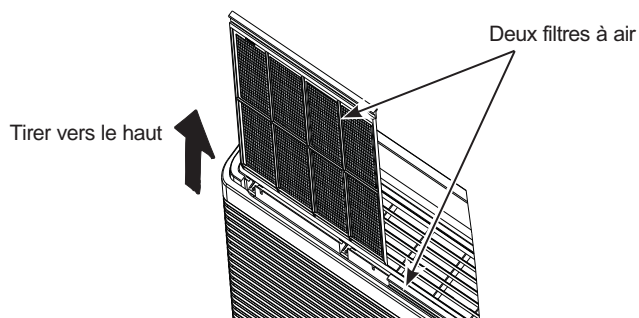
- Abaisse le coût de fonctionnement.
- Économise l'énergie.
- Préviend l'obstruction des serpentins de l'échangeur de chaleur.
- Réduit le risque de défaillance prématurée des composants.

Pour nettoyer les filtres à air :

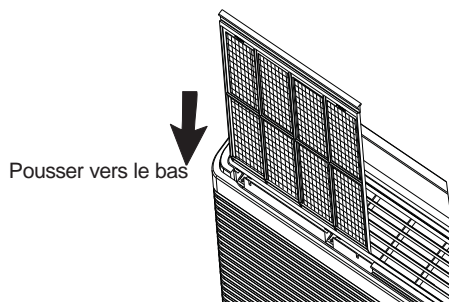
- Évacuez les grosses particules à l'aspirateur.
- Faites circuler de l'eau à travers le dos des filtres.
- Séchez les filtres à fond avant de les replacer.

REMARQUE : Les filtres à air sont interchangeables et se poseront du côté droit ou gauche.

Pour retirer les filtres à air :



Pour replacer les filtres à air :



AVIS :

Ne faites pas fonctionner le Zoneline sans les filtres en place. Si un filtre devient déformé ou endommagé, remplacez-le immédiatement.

Le fonctionnement sans filtres en place ou avec des filtres endommagés permettra à la saleté et la poussière d'atteindre les serpentins intérieurs et gênera ainsi le refroidissement, le réchauffement, la circulation d'air et l'efficacité de l'appareil.

Vous pouvez vous procurer des filtres de rechange auprès de votre représentant, votre concessionnaire GE, du Centre de réparation et de pièces GE ou des réparateurs autorisés Customer Care®.

Instructions d'installation

Questions? Composez le 844-GE4-PTAC (ou 844-434-7822) ou visitez notre site Web sur : GEAppliances.com

AVANT DE COMMENCER

Veillez lire ces instructions avec attention et en entier.

- **IMPORTANT** — Conservez ces instructions pour l'inspecteur local.
- **IMPORTANT** — Observez tous les codes et règlements en vigueur.
- **Note pour l'installateur** — Assurez-vous de remettre ces instructions au propriétaire.
- **Note pour le propriétaire** — Conservez ces instructions pour vous y référer ultérieurement.
- Il est de la responsabilité de l'installateur de procéder à une installation correcte.
- La garantie ne couvre pas une défaillance du produit résultant d'une installation incorrecte.

PÉRIODE DE RODAGE DU CLIMATISEUR

REMARQUE : Comme pour tout mécanisme doté de pièces mobiles, cet appareil passera par une période de rodage. **APRÈS L'INSTALLATION**, cet appareil doit fonctionner pendant 48 heures pour atteindre un rendement optimal.

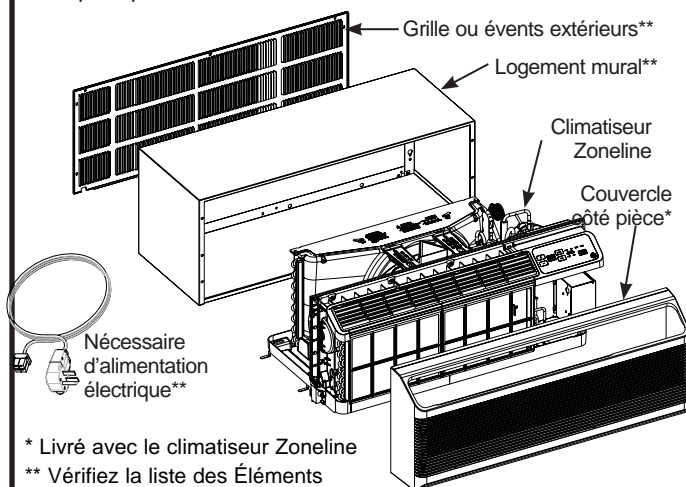
OUTILS REQUIS



Tournevis à tête étoilée et tournevis à douille 5/16 po

COMPOSANTS ZONELINE

L'aspect peut varier.



* Livré avec le climatiseur Zoneline

** Vérifiez la liste des Éléments essentiels de l'appareil située à l'avant du plateau de fond.

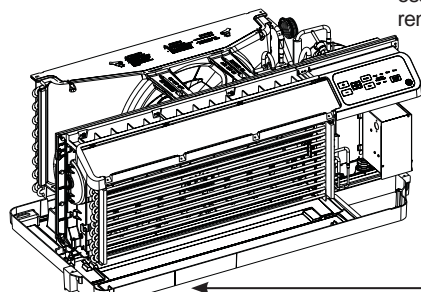
CONSIGNES DE SÉCURITÉ ÉLECTRIQUE IMPORTANTES – LIRE ATTENTIVEMENT

⚠ ATTENTION

- Suivez le Code national de l'électricité (CNE) ou vos ordonnances et codes locaux.
- Pour votre sécurité personnelle, ce Zoneline doit être bien mis à la terre.
- Les appareils protecteurs (fusibles ou disjoncteurs) acceptables pour installer votre Zoneline sont indiqués sur la plaque signalétique de chaque appareil.
- N'utilisez jamais de rallonge électrique avec cet appareil.
- Les fils de bâtiment en aluminium peuvent poser des problèmes particuliers—consultez un électricien qualifié.
- Quand votre appareil est en position OFF (arrêt), il reste de la tension dans les commandes électriques.
- Débranchez le courant de votre appareil avant de l'entretenir ou de le réparer en:
 1. Enlevant le cordon d'alimentation (le cas échéant) de la prise murale. **OU**
 2. Enlevant les fusibles du circuit de dérivation ou en débranchant les disjoncteurs de dérivation au panneau.

Instructions d'installation

REPLACEMENT D'UN APPAREIL EXISTANT



Lisez l'étiquette Éléments essentiels qui comporte des renseignements importants.

Utilisez le logement mural approprié

Cet appareil est conçu pour s'installer dans un logement mural en métal isolé ou en plastique de GE Appliances. Cela minimise la formation de condensation sur le côté pièce du logement.

REMARQUE : Plusieurs trous supplémentaires se trouvent sur les rebords latéraux de l'appareil pour l'installation de logements muraux autres que GE Appliances. Pour éviter d'endommager l'isolant aux rebords, l'installateur doit utiliser un poinçon ou un autre outil pointu pour percer l'isolant dans les trous appropriés avant de poser les vis de fixation.

Utilisez la grille extérieure appropriée

Vous devez utiliser les grilles extérieures qui figurent sur l'étiquette Éléments essentiels située dans le plateau de fond.

- L'omission de remplacer une grille existante causera une réduction de la capacité et de l'efficacité et ainsi un possible fonctionnement incorrect ou défaillant de l'appareil. On peut utiliser la trousse de déflecteurs RAK40 avec les grilles qui n'ont pas été conçues pour votre nouveau Zoneline de GE Appliances. Le RAK40 contient des déflecteurs d'air et des joints d'étanchéité qui se montent sur l'appareil pour diriger l'air d'échappement chaud à l'écart de l'air d'admission afin de permettre le bon fonctionnement de l'appareil. **La grille doit présenter une superficie libre d'au moins 65 % (selon les calculs de l'ASHRAE).** Consultez le manuel de données d'architectes et d'ingénieurs pour de plus amples renseignements.
- Les déflecteurs verticaux d'une grille existante autre que GE Appliances doivent être retirés pour diminuer la recirculation de l'air du condensateur pouvant causer un cyclage trop court de l'appareil et mener à une défaillance prématurée des composants.

Utilisez le cordon d'alimentation approprié

Les codes exigent l'utilisation de dispositifs de détection de défaut d'arc ou de courant de fuite sur les installations 230/208 volts

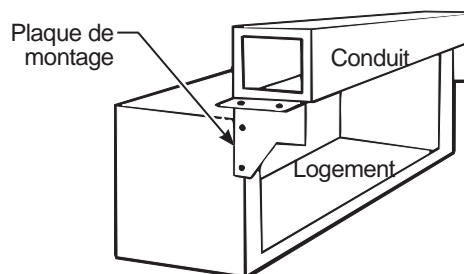
Remplacement d'un appareil canalisé

Nouvelle installation canalisée :

Si cet appareil doit être installé dans une nouvelle application à conduit à l'aide d'une trousse d'adaptateur de conduit, la trousse doit être installée avant que l'appareil ne soit placé dans la gaine murale. Les instructions d'installation sont fournies avec la trousse

Trousses d'adaptateur de conduit offertes :

RAK6053
RAK601B/602B



Installation canalisée existante :

Replacement of an existing ducted unit may require different components. Request this information from your sales representative. **Duct seals on existing unit need to be removed and added to the new unit.**

- **Remplacement des appareils 230/208 volts :**
Voir page 18.

- **Remplacement des appareils 265 volts :**
Voir page 19.

Lors de l'utilisation de la trousse d'adaptateur de conduit, vous devez toujours mettre le Mode 7 à ON [□]. Voir les instructions sur les modes à la page 9.

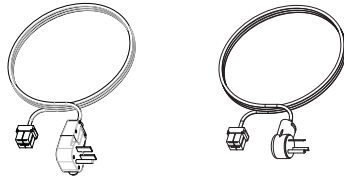


Mode Duct (Conduit)
illustré à ON

OPTIONS DE RACCORDEMENT ÉLECTRIQUE 230/208 VOLTS

RACCORDEMENT DU CORDON D'ALIMENTATION

Selon l'application, il faut utiliser une trousse de cordon d'alimentation avec dispositif LCDI (Détection et interruption de fuite de courant) pour alimenter le climatiseur Zoneline. La trousse appropriée est déterminée par la valeur du courant, la méthode de raccordement électrique et l'intensité du courant du circuit de dérivation.



Trousse de cordon d'alimentation
(L'aspect peut varier)

Le raccordement à des circuits 208 ou 230 volts peut se faire à l'aide d'une trousse de cordon d'alimentation ou d'une trousse de boîte de jonction.

Tout le câblage, y compris l'installation de la prise, doit être conforme avec les normes, codes et règlements nationaux et locaux. Les codes exigent l'utilisation d'un dispositif de détection d'arc et de fuite de courant sur le cordon d'alimentation sauf en cas de raccordement direct. Assurez-vous de choisir le cordon approprié pour votre installation.



Tandem
15 Ampères



Perpendiculairer
20 Ampères



Tandem grand
30 Ampères

Configuration des prises pour circuits 230/208 volts

Circuit de dérivation et appareil (ampères)	Cordon d'alimentation GE approprié avec dispositif LCDI
15	RAK315P
20	RAK320P
30	RAK330P

Les cordons d'alimentation peuvent être dotés d'un dispositif de détection et d'interruption d'arc et de fuite de courant. Un bouton de test et de réinitialisation est présent sur le boîtier de la fiche ou le boîtier en série. Le dispositif doit être vérifié régulièrement en appuyant sur le bouton TEST puis sur le bouton RESET.

RACCORDEMENT PAR SOCLE ÉLECTRIQUE

Le raccordement des modèles 230/208 volts peut s'effectuer à l'aide d'un des socles électriques suivants :

Circuit de dérivation et appareil (ampères)	Socle électrique GE Appliances approprié
15	RAK204D15C
20	RAK204D20C
30	RAK204D30C

Les socles électriques procurent une enceinte pour le branchement direct ou les prises encastrées. Une trousse de socle électrique comprend un cordon d'alimentation.

Les instructions fournies avec la trousse de socle électrique choisie doivent être observées rigoureusement. Il est de la responsabilité de l'installateur de s'assurer que la connexion des composants s'effectue en conformité avec ces instructions et tous les codes électriques.

Lorsque vous utilisez une connexion électrique par socle, **la boîte de jonction RAK4002D est requise** pour obtenir une installation adéquate et complète.

RACCORDEMENT DIRECT

Commandez une des trousse suivantes pour une connexion directe 230/208 volts selon le besoin :

Circuit de dérivation et appareil (ampères)	Trousse de raccordement direct
15	RAK315D
20	RAK320D
30	RAK330D

Revoyez les instructions d'installation fournies avec les trousse de connexion directe pour des directives de montage détaillées.

Lorsque vous utilisez une connexion électrique directe, **la boîte de jonction RAK4002D est requise** pour une installation adéquate et complète.

Instructions d'installation

OPTIONS DE RACCORDEMENT ÉLECTRIQUE DE 265 VOLTS

AVERTISSEMENT

Vous DEVEZ brancher ce produit alimenté par courant alternatif de 265 volts au circuit de dérivation par branchement direct conformément au Code national d'électricité. Le Code n'autorise pas le branchement d'un appareil à une prise exposée montée sur le bâtiment.

Vous devez installer ces modèles à l'aide de la bonne trousse d'alimentation électrique GE pour l'ampérage du circuit de dérivation et la puissance du chauffage à résistance électrique désirée. Utilisez le Tableau de contact électrique, page 18, pour déterminer la bonne trousse requise. Vous devez utiliser l'une des méthodes suivantes d'installation.

A. INSTALLATION AVEC SOCLE ÉLECTRIQUE

Des trousse de socle électrique sont offertes afin de procurer une enceinte polyvalente pour le branchement direct.

Circuit de dérivation et appareil (ampères)	Socle électrique GE Appliances approprié
15	RAK204E15C
20	RAK204E20C
30	RAK204E30C

Les instructions fournies avec la trousse de socle électrique choisie doivent être observées rigoureusement. La trousse de socle comprend le nécessaire de connexion électrique. Il est de la responsabilité de l'installateur de s'assurer que le raccordement des composants s'effectue en conformité avec ces instructions et tous les codes électriques.

B. INSTALLATION AVEC RACCORDEMENT DIRECT

Si l'on n'utilise pas un socle électrique, un raccordement direct au câblage du circuit de dérivation à l'intérieur d'une boîte de jonction doit être réalisé en suivant les étapes suivantes.

Commandez la trousse de raccordement direct 265 volts selon le besoin :

Branch Circuit and Unit Amperage Rating	Trousse d'alimentation électrique
15	RAK515D
20	RAK520D
30	RAK530D

Consultez les instructions d'installation fournies avec les trousse de cordon d'alimentation ou de raccordement direct pour les directives de montage détaillées.

TABLEAU DE RACCORDEMENT ÉLECTRIQUE

Raccordement par cordon d'alimentation

230/208 Volt Cordons électriques à détection de fuite de courant (1)	Configuration de la fiche murale	Dispositif de protection de circuit	Puissance de chauffage à 230/208 volts
RAK315P/SP RAK320P/SP RAK330P/SP	Tandem Perpendiculaire Tandem grand	Fusible temporisé 15 A ou disjoncteur Fusible temporisé 20 A ou disjoncteur Fusible temporisé 30 A ou disjoncteur	2,40/1,96 KW 3,40/2,78 KW 4,80/3,93 KW (Vent. haut) 3,80/3,11 KW (Vent. bas)

*Pour une installation avec socle pour circuit 265 V, veuillez vous reporter à la Boîte A, page 19, pour la paire Socle–Trousse d'alimentation appropriée.

Raccordements directs

Trousses d'alimentation 230/208 volts (2)	Dispositif de protection de circuit	Puissance de chauffage à 230/208 volts
RAK315D RAK320D RAK330D	Fusible temporisé 15 A ou disjoncteur Fusible temporisé 20 A ou disjoncteur Fusible temporisé 30 A ou disjoncteur	2,40/1,96 KW 3,40/2,78 KW 4,80/3,93 KW (Vent. haut) 3,80/3,11 KW (Vent. bas)

Trousses d'alimentation 265 volts (3)	Dispositif de protection de circuit	Puissance de chauffage à 265 volts
RAK515D RAK520D RAK530D	Fusible temporisé 15 A ou disjoncteur Fusible temporisé 20 A ou disjoncteur Fusible temporisé 30 A ou disjoncteur	2,40 KW 3,40 KW 4,80 KW (Vent. haut) 3,8 KW (Vent. bas)

(1) Les trousse se terminant par SP n'ont pas de dispositif de détection et d'interruption de courant de fuite (angl. LCDI) et ne peuvent donc être utilisées que dans une sous-base. Une boîte de jonction (acheté séparément) est nécessaire pour les trousse SP.

(2) Une boîte de jonction (acheté séparément) est nécessaire ces trousse.

(3) La boîte de jonction requise est préinstallée sur le châssis.

Instructions d'installation

INSTALLATION DU ZONELINE

1. INSTALLER LE LOGEMENT MURAL ET LA GRILLE EXTÉRIEURE

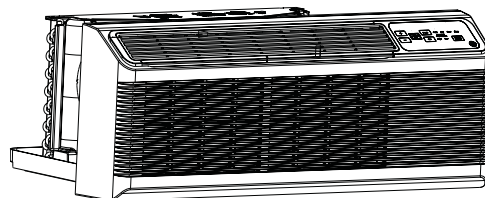
La série RAB 81/81B du logement mural RAB78 doit être correctement installée selon les instructions fournies avec la gaine.

- Assemblez le logement mural selon les instructions fournies avec la gaine. Assurez-vous que tous les pièces sont bien enclenchées ensemble.
- Fixez le panneau extérieur sur l'arrière de l'assemblage afin de protéger la maison contre les éléments.
- Installez, fixez et calfeutrez la gaine.
- Une fois le châssis prêt à être installé, retirez le panneau extérieur et installez la grille avant d'installer le châssis.
- Installez la grille extérieure à partir de la pièce selon les instructions fournies avec la grille.

REMARQUE : Pour une installation avec socle ou adaptateur de conduit, voyez les instructions fournies avec ces articles.

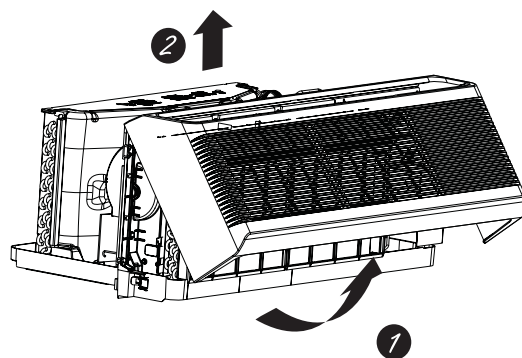
2. PRÉPARER L'APPAREIL

- Retirez avec soin les blocs de mousse d'emballage du devant côté pièce, du compresseur et du ventilateur extérieur. Il vous faudra probablement retirer plusieurs blocs de mousse et segments de ruban adhésif d'emballage.

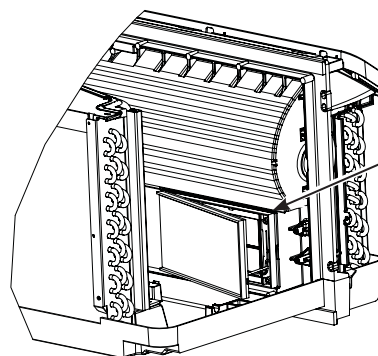


Ruban d'emballage (les positions peuvent varier)

- Retirez le couvercle côté pièce en le tirant vers l'extérieur dans le bas (1), puis soulevez-le pour le dégager du rail dans le haut de l'appareil (2).



- Si le panneau à événements doit servir (ventilation), retirez les vis d'expédition sur son devant, le cas échéant.



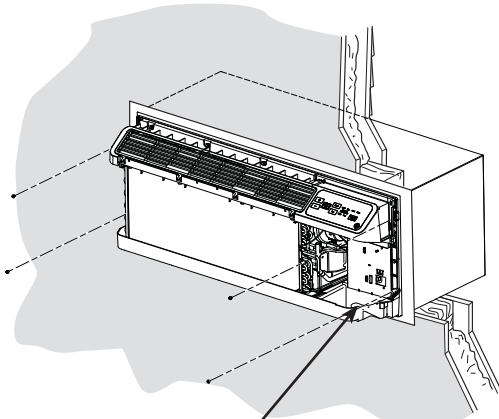
Retirez les vis d'expédition (si la fonction ventilation doit servir)

INSTALLATION DU ZONELINE (suite)

3. INSTALLER L'APPAREIL DANS LE LOGEMENT MURAL

Glissez l'appareil dans le logement mural et posez quatre vis dans les trous du rebord de l'appareil.

Le sac scellé qui contient les quatre vis se trouve sous le panneau de commande, dans la pochette du plateau de fond.

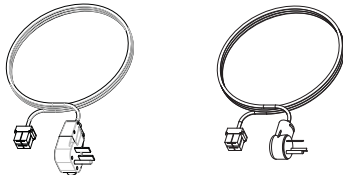


Les quatre vis de fixation du logement mural sont rubannées à la pochette devant le panneau de commande.

REMARQUE : Plusieurs trous supplémentaires se trouvent sur les rebords latéraux de l'appareil pour l'installation de logements muraux autres que GE Appliances. Pour éviter d'endommager l'isolant aux rebords, l'installateur doit utiliser un poinçon ou un autre outil pointu pour percer l'isolant dans les trous appropriés avant de poser les vis de fixation.

4. TROUSSES DE CORDON D'ALIMENTATION OU DE RACCORDEMENT DIRECT

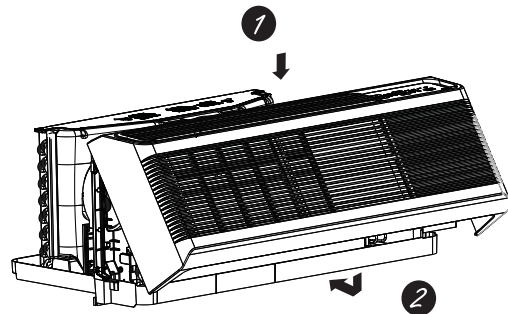
Consultez les instructions d'installation fournies avec les trousse de cordon d'alimentation ou de raccordement direct pour des directives détaillées.



Trousse de cordon d'alimentation
(L'aspect peut varier)

5. REPLACER LE COUVERCLE CÔTÉ PIÈCE

Réinstallez le couvercle côté pièce en alignant et plaçant le rail supérieur du couvercle au-dessus du châssis (1), puis poussez-le dans le bas (2).

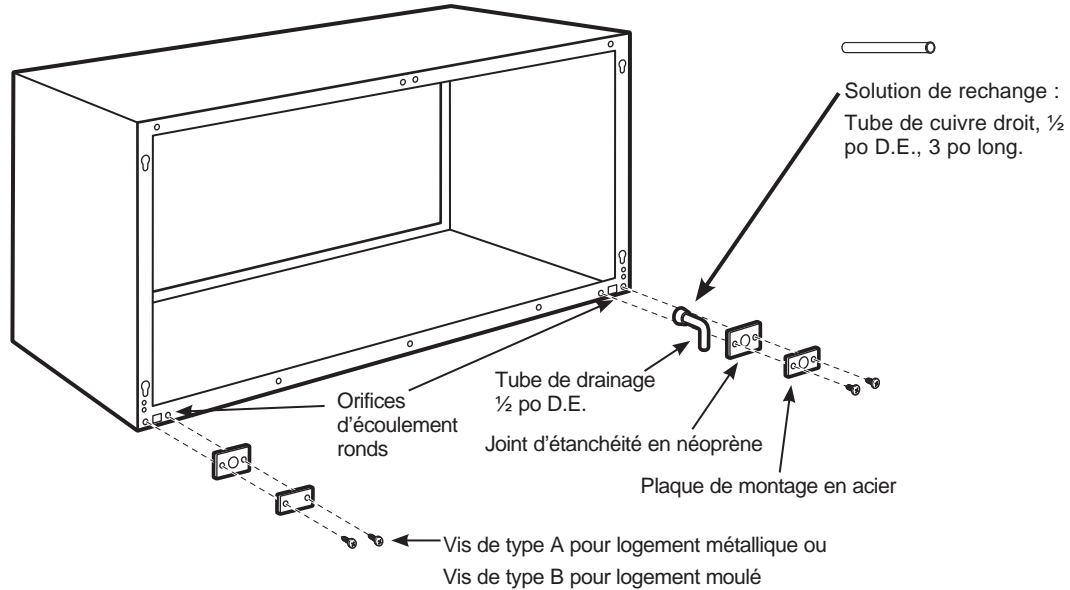


Instructions d'installation

FACULTATIF – INSTALLATION D'UNE TROUSSE DE DRAINAGE

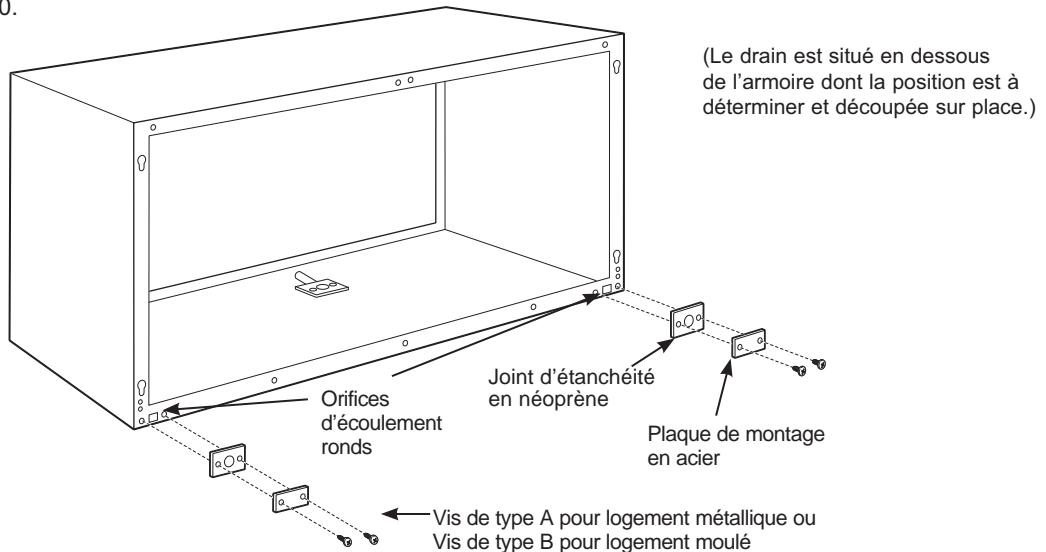
Drain extérieur

Voir les instructions d'installation dans la trousse RAD10.



Drain intérieur

Voir les instructions d'installation dans la trousse RAD10.



Conseils de dépannage... avant d'appeler le service

Économisez temps et argent! Examinez d'abord les tableaux suivants, un appel de service sera peut-être inutile.

Problème	Causes possibles	Correctifs
Le Zoneline de démarre pas.	L'appareil est débranché.	Assurez-vous que la fiche du Zoneline est poussée à fond dans la prise.
	Le cordon d'alimentation n'est pas attaché solidement.	Retirez le couvercle côté pièce et assurez-vous que le connecteur à l'extrémité du cordon d'alimentation est solidement inséré.
	Le fusible est grillé ou le disjoncteur est déclenché.	Vérifiez le panneau de distribution électrique de la résidence et remplacez le fusible grillé ou réenclenchez le disjoncteur.
	L'appareil attend la réinitialisation du limiteur de surcharge du compresseur.	Cela est normal. Le Zoneline démarrera de nouveau après sa réinitialisation.
	Panne de courant.	Un délai de protection (jusqu'à 3 minutes) prévient le déclenchement du limiteur de surcharge du compresseur. C'est pourquoi il est possible que le chauffage ou la climatisation ne reprenne pas pendant 3 minutes après le rétablissement du courant.
	Le dispositif d'interruption de courant du cordon d'alimentation est déclenché.	Appuyez sur le bouton RESET (Réinitialisation) situé sur la fiche du cordon ou sur le boîtier près de la fiche. Si le bouton RESET ne reste pas enfoncé, cessez d'utiliser le Zoneline et appelez un technicien qualifié.
La climatisation ou le chauffage du Zoneline est insuffisant.	La circulation d'air intérieur est restreinte.	Assurez-vous que l'avant du Zoneline n'est pas bloqué par des rideaux, des stores ou des meubles.
	La circulation d'air extérieur est restreinte ou recirculée	Assurez-vous que la grille arrière n'est pas bloquée. Cela pourrait provoquer l'interruption du fonctionnement de l'appareil par la protection de surcharge du compresseur. La grille extérieure doit présenter une superficie libre d'au moins de 65 %. Les grilles d'un autre marque que GE peuvent être trop restrictives pour assurer un rendement approprié. Consultez votre vendeur si vous avez besoin d'aide.
	Le réglage de la température peut être incorrect.	Réglez la température à une valeur plus basse ou plus haute. REMARQUE : La fonction de limitation de température peut restreindre la plage de température.
	Le filtre à air est sale.	Nettoyez ou remplacez le filtre au moins tous les 30 jours. Reportez-vous à la section Instructions d'utilisation.
	De l'air extérieur entre dans la pièce.	Réglez la commande de ventilation à la position fermée. REMARQUE : Les modèles dotés de la ventilation d'appoint introduiront toujours une certaine quantité d'air extérieur dans la pièce.
Une odeur de brûlé est perçue au début du fonctionnement en mode chauffage.	De la poussière se trouve à la surface des éléments chauffants.	La poussière peut produire une odeur de « brûlé » au début du fonctionnement en mode chauffage. Cette odeur devrait disparaître rapidement.

Conseils de dépannage... avant d'appeler le service

Économisez temps et argent! Examinez d'abord les tableaux suivants, un appel de service sera peut-être inutile.

Problème	Causes possibles	Correctifs
L'air n'est pas toujours chaud ou froid pendant le fonctionnement.	La thermopompe ne produit pas d'air chaud.	Ce phénomène est normal. La thermopompe produit de l'air tiède qui n'est pas aussi chaud que celui fourni par le chauffage électrique, plus coûteux à l'utilisation.
	Les commandes auxiliaires Smart Fan sont peut-être réglées pour un fonctionnement continu du ventilateur.	En continu, le ventilateur souffle de l'air à température ambiante même lorsque le compresseur ou le chauffage s'arrête. Le mouvement continu de l'air procure un meilleur contrôle global de la température en mode de refroidissement. Voyez la section Smart Fan - Cooling/Heating (Ventilateur intelligent – Froid/Chaleur) à la page 7.
L'air ne semble pas assez chaud en mode chauffage	La thermopompe seule fournit de l'air un peu moins chaud que désiré.	Utilisez la fonction de chauffage électrique. Cette fonction éteint la thermopompe et chauffe l'air au moyen d'éléments électriques seulement. REMARQUE : L'utilisation de cette fonction augmente la consommation d'énergie.
L'appareil ne souffle pas d'air.	La commande auxiliaire Smart Fan (Ventilateur intelligent) est peut-être réglée pour un cyclage marche-arrêt.	Voyez la section Smart Fan - Cooling/Heating (Ventilateur intelligent – Froid/Chaleur) à la page 7.
Les fonctions de chauffage électrique et de ventilation ne fonctionnent pas.	Le cordon d'alimentation n'est pas solidement enfoncé	Retirez le couvercle côté pièce et assurez-vous que le connecteur noir à l'extrémité du cordon est solidement inséré.
L'affichage de la température clignote.	Le panneau de commande est verrouillé.	Maintenez une pression sur le bouton Show/Hide de L'ÉCRAN et maintenez-le enfoncé pendant plus de 10 secondes pour déverrouiller l'écran. Voyez la section Verrouillage du panneau de commande à la page 5.
L'appareil ne fonctionne pas après l'installation du thermostat mural distant.	Le mode 6 auxiliaire n'est pas réglé correctement.	Vérifiez que le commutateur de l'option Remote Thermostat (Thermostat distant) du mode 6 auxiliaire est à ON (Marche), voir la page 9.
	Les connexions du thermostat de l'appareil sont incorrectes.	Vérifiez que le raccordement du thermostat mural distant au connecteur du thermostat de l'appareil est correct.
	Le transformateur basse tension se réinitialise ou s'ouvre en court-circuit.	Pour réinitialiser le transformateur basse tension, débranchez l'appareil de l'alimentation, attendez 5 minutes, puis rebranchez-le
La thermopompe fonctionne avec chauffage électrique seulement durant le chauffage.	Le mode auxiliaire 6 n'est pas réglé correctement.	Vérifiez que le mode AUX 6 est réglé pour le thermostat mural à distance approprié, soit « <i>R</i> » pour les thermostats à basculement manuel où vous sélectionnez COOL ou HEAT, soit « <i>R</i> » pour « basculement automatique », voyez la page 8.
	Le mode auxiliaire 8 n'est pas réglé correctement.	Vérifiez le mode auxiliaire 8 pour vous assurer que l'interrupteur est à OFF (Arrêt) relativement au fonctionnement de la thermopompe, voir page 9.
Le voyant UVC n'est pas allumé.	Le mode auxiliaire C n'est pas réglé correctement.	Vérifiez si le commutateur du mode auxiliaire C est à ON pour le fonctionnement UVC, voyez la page 12.
	Le ventilateur intérieur n'est pas en marche.	La lumière UVC est conçue pour fonctionner seulement lorsque le ventilateur intérieur fonctionne. Pour modifier les réglages du ventilateur, reportez-vous au Mode 1 du ventilateur intelligent à la page 4.

Bruits de fonctionnement normaux



Il est possible que vous entendiez un tintement causé par les gouttes recueillies et projetées contre le condensateur par temps pluvieux ou d'humidité élevée. Cette conception améliore la déshumidification et l'efficacité de l'appareil.

“CLIC”

Le dé clic des relais peut se faire entendre lorsque les commandes fonctionnent de façon cyclique ou lorsque vous les réglez pour modifier la température ambiante.



Par temps pluvieux ou d'humidité élevée, de l'eau est recueillie dans le plateau de l'appareil. Celui-ci peut déborder et de l'eau peut s'écouler du côté extérieur de l'appareil.

BRUISSEMENT



Le ventilateur intérieur fonctionne continuellement lorsque l'appareil est en mode de refroidissement, sauf si la commande auxiliaire Smart Fan (Ventilateur intelligent) est réglée pour fonctionner en cycles. La sélection du cycle entraîne l'alternance marche-arrêt du ventilateur parallèlement au compresseur. Vous pouvez également entendre un bruit de démarrage et d'arrêt du ventilateur. À certains moments, le ventilateur fonctionnera même si l'appareil n'est pas en mode chauffage ou refroidissement. Si le ventilateur intérieur est réglé en continu, il fonctionnera peu importe qu'il n'y ait ni chauffage ni refroidissement. À d'autres moments, le ventilateur fonctionnera plus longtemps que le cycle chauffage-refroidissement ou il démarrera à l'occasion. Cela est normal et vise à améliorer le confort et l'équilibre ambiant.

Si l'appareil est doté d'une ventilation en air d'appoint, certains ventilateurs fonctionneront en continu.

L'appareil avec appoint numérique d'air effectue une vérification du système au démarrage, lors des cycles marche-arrêt et une fois à tous les 7 jours si l'appareil est en mode d'occupation. La vérification du système dure environ 45 secondes. Pendant ce temps, les ventilateurs d'air d'appoint s'accélèrent, ralentissent, puis passent au point de consigne.

Délai de 3 minutes



Vous remarquerez peut-être un délai de quelques minutes au démarrage si vous tentez de redémarrer le Zonline trop tôt après l'avoir éteint, ou si vous réglez le thermostat immédiatement après l'arrêt du compresseur. Ce délai de 3 minutes est attribuable à un dispositif de protection intégré du compresseur.

SILENCE

Pendant le cycle de dégivrage, les ventilateurs intérieur et extérieur s'arrêtent et le compresseur fonctionne en mode de refroidissement afin d'éliminer le givre sur les serpentins extérieurs. Après le dégivrage, l'appareil redémarre en mode chauffage pour réchauffer rapidement la pièce au niveau de confort désiré.

PROTECTION DU COMPRESSEUR

Pour protéger le compresseur et prévenir les cycles courts, l'appareil est conçu pour fonctionner pendant un minimum de 3 minutes après le démarrage du compresseur à n'importe quel réglage du thermostat.

Inscription du propriétaire d'électroménager

Veillez suivre les étapes suivantes pour protéger votre investissement :

1 Remplissez et postez votre fiche d'inscription du propriétaire aujourd'hui.
Vous aurez ainsi la quiétude de savoir que nous pourrions vous contacter en cas de modification pour améliorer la sécurité.

2 Après avoir posté la fiche d'inscription ci-dessous, rangez ce document dans un endroit sûr. Il contient des renseignements dont vous aurez besoin en cas d'appel de service. Notre numéro de service est le 844-GE4-PTAC (ou 844-434-7822).

3 Veillez lire votre manuel d'utilisation attentivement. Il vous aidera à utiliser votre nouvel électroménager d'une façon appropriée.

✂ Découper ici

CONSUMER PRODUCT OWNERSHIP REGISTRATION

Three ways to register your appliance:



SCAN
this code with your smart-phone app

GO ONLINE
geappliances.com/register

COMPLETE & MAIL
this registration card

Product:

Model:

Serial:

Mr. Mrs. Ms.

First Name Last Name

Street Address Apt.#

Email Address
We'll use your email address to send you information about your product, as well as discounts and other offers from GE Appliances

City State ZIP Code

Month Day Year Phone Number ()

Date appliance was installed or placed in use

GE Appliances takes your privacy seriously. All information you provide shall be held in strict accordance with the GE Appliances Privacy Policy. Read the full policy at www.geappliances.com/privacy/privacy_policy.htm.

geappliances.com/register

Revised 6/15
245D1499P001

✂ Découper ici

FOR CANADIAN CONSUMERS / POUR LES CONSOMMATEURS CANADIENS

OWNERSHIP REGISTRATION CERTIFICATE FICHE D'INSCRIPTION DU PROPRIÉTAIRE

MODEL/MODÈLE

SERIAL/SÉRIE

P.O. BOX/C.P. 1780
MISSISSAUGA, ONT. L4V 4G1

INSTALLATION DATE Y/A M
DATE D'INSTALLATION

PLEASE COMPLETE AND RETURN THIS CARD IMMEDIATELY TO ENABLE US TO CONTACT YOU IN THE REMOTE EVENT A SAFETY NOTIFICATION IS ISSUED FOR THIS PRODUCT.

VEUILLEZ REMPLIR ET RETOURNER LA PRÉSENTE FICHE SANS TARDER AFIN DE NOUS PERMETTRE DE COMMUNIQUER AVEC VOUS SI JAMAIS UN AVIS DE SÉCURITÉ CONCERNANT CE PRODUIT ÉTAIT ÉMIS.

CHECK ONE COCHEZ	MR. <input type="checkbox"/> MISS <input type="checkbox"/>	MRS. <input type="checkbox"/> MME <input type="checkbox"/> MS <input type="checkbox"/>	FIRST NAME/PRÉNOM	LAST NAME/NOM
STREET NO. N° RUE		STREET NAME/RUE		APT.NO./APP./RR#
CITY/VILLE		PROVINCE	POSTAL CODE/POSTAL	
AREA CODE IND. REG.	TELEPHONE	NAME OF SELLING DEALER/NOM DU MARCHAND		

Canada consumers, visit geappliances.ca/register/index.jsp

CORRESPONDENCE
CORRESPONDANCE

FRENCH
FRANÇAIS

ENGLISH
ANGLAIS

245D1499P002
Revised 06/14

Inscription du propriétaire d'électroménager

Please place in envelope and mail to:

PRODUCT REGISTRATION DEPARTMENT
PO BOX 34980
LOUISVILLE KY 40232-4980

Please place in envelope and mail to:
Veuillez mettre dans une enveloppe et envoyez à :

OWNERSHIP REGISTRATION
PO BOX 1780
MISSISSAUGA, ONTARIO
L4Y 4G1

Garantie du climatiseur Zoneline de GE Appliances

Toutes les réparations sous garantie sont effectuées par nos Centres de service ou par nos réparateurs autorisés Customer Care®. Vous pouvez prendre rendez-vous en ligne sur GEAppliances.com ou en composant le 844-GE4-PTAC (ou 844-434-7822). Pour le service au Canada, contactez le distributeur qui vous a vendu le produit. Lorsque vous appelez, veuillez avoir les numéros de série et de modèle à portée de la main.

Pendant :	GE Appliances remplacera :
Un an à compter de la date d'achat d'origine	Toute pièce du climatiseur qui se révèle défectueuse en raison d'un vice de matières ou de fabrication. Au cours de cette garantie limitée d'un an, GE Appliances couvrira gratuitement les frais de main-d'œuvre et les frais de service associés pour remplacer la pièce défectueuse.
Cinq ans à compter de la date d'achat d'origine	Toute pièce du système frigorifique scellé (le compresseur, le condensateur, l'évaporateur et toute la tubulure de raccordement y compris le système d'air d'appoint) qui se révèle défectueuse en raison d'un vice de matières ou de fabrication. Au cours de cette garantie limitée de cinq ans, GE Appliances couvrira gratuitement les frais de main-d'œuvre et les frais de service associés pour remplacer la pièce défectueuse.
La deuxième à la cinquième année à compter de la date d'achat d'origine	Moteurs de ventilateur, commutateurs, thermostat, éléments chauffants, dispositifs de protection des éléments chauffants, limiteur de surcharge du compresseur, solénoïdes, circuits imprimés, commandes auxiliaires, thermistances, sentinelle de gel, commandes de givre, pompe du système interne d'élimination du condensat, condensateurs, varistances, roulements du ventilateur intérieur, si l'une quelconque de ces pièces se révèle défectueuse en raison d'un vice de matières ou de fabrication. Au cours de cette garantie supplémentaire de 4 ans, vous devrez assumer tous les frais de main-d'œuvre et de service associés.

Ce qui n'est pas couvert :

- Toute visite à votre domicile pour vous expliquer le fonctionnement de l'appareil.
- Une installation, une livraison ou un entretien inadéquats.
Pour tout problème d'installation, ou si le climatiseur n'assure pas une climatisation adéquate, communiquez avec votre détaillant ou votre installateur. Vous avez la responsabilité de fournir les installations appropriées pour les raccordements électriques.
- Dans les établissements commerciaux, la main-d'œuvre nécessaire pour amener l'appareil à un endroit où il pourra être accessible aux fins de réparation par un technicien.
- Les défauts ou les dommages attribuables à la corrosion causée par une installation dans un milieu contenant des produits chimiques corrosifs.
- Le remplacement des fusibles ou le réenclenchement des disjoncteurs.
- Une défectuosité attribuable à une modification du produit, une utilisation déraisonnable ou un entretien inadéquat ou négligent.
- Les défauts ou les dommages attribuables à la corrosion en raison d'une installation dans un environnement côtier, sauf dans le cas des modèles ayant subi un traitement anticorrosion appliqué à l'usine tel qu'indiqué par le numéro de modèle.
- Les dommages au produit attribuables à une alimentation électrique inadéquate, un accident, un incendie, une inondation ou un cas de force majeure.
- Tout dommage direct ou indirect à la propriété causé par une éventuelle défectuosité de ce climatiseur.
- Les dommages survenus après la livraison.
- Le produit en cas d'impossibilité d'y avoir accès pour procéder à la réparation demandée.

EXCLUSION DE GARANTIES IMPLICITES - Votre seul et unique recours consiste dans la réparation du produit selon les dispositions de cette Garantie limitée. Toutes les garanties implicites, incluant les garanties de qualité marchande et de convenance, sont limitées à une année ou à la période la plus courte autorisée par la loi.

Cette garantie est offerte à l'acheteur initial et à tout propriétaire subséquent d'un produit acheté en vue d'une utilisation aux États-Unis et au Canada. Si le produit est installé dans une région non desservie par un réparateur autorisé GE Appliances, vous pourriez être tenu d'assumer des frais de déplacement ou d'apporter le produit à un centre de réparation autorisé GE Appliances. En Alaska, la garantie ne couvre pas les frais d'expédition et les appels de service à votre domicile.

Dans certains États ou provinces, il est interdit d'exclure ou de limiter les dommages directs ou indirects. La présente garantie vous confère des droits juridiques spécifiques. Vous pouvez bénéficier d'autres droits qui varient d'une province ou d'un État à l'autre. Pour connaître les droits dont vous bénéficiez dans votre région, communiquez avec des relations avec les consommateurs de votre région ou encore le Procureur général de votre État.

Garant : GE Appliances, a Haier company

Inscription du propriétaire d'électroménager

Site Web de GE Appliances

Vous avez une question ou vous avez besoin d'aide pour votre appareil électroménager? Visitez le site Web de GE Appliances 24 heures par jour, tous les jours de l'année! Vous pouvez aussi y trouver d'autres formidables produits GE Appliances et tirer avantage de tous nos services d'assistance en ligne. Aux États-Unis : **GEAppliances.com**
Au Canada : **GEAppliances.ca**

Enregistrez votre électroménager

Enregistrez votre nouvel appareil en ligne au moment qui vous convient le mieux! L'enregistrement de votre produit dans les délais prescrits permet une meilleure communication et un service rapide, selon les modalités de votre garantie, si besoin est. Vous pouvez également envoyer par courrier la carte d'enregistrement pré-imprimée qui se trouve dans l'emballage de votre appareil.

Aux États-Unis : **GEAppliances.com/register**

Au Canada : **Prodsupport.mabe.ca/crm/Products/ProductRegistration.aspx**

Service de réparation

Un service de réparation expert GE Appliances se trouve à quelques pas de chez vous. Rendez-vous sur notre site et programmez, à votre convenance, une visite de réparation à n'importe quel jour de l'année.

Aux États-Unis : **GEAppliances.com/ge/service-and-support/service.htm** ou composez le 844.GE4.PTAC (844.434.7822) durant les heures normales de bureau.

Pour le service au Canada, contactez votre distributeur.

Prolongation de garantie

Procurez-vous une prolongation de garantie GE Appliances et informez-vous des rabais spéciaux en vigueur pendant la durée de votre garantie. Vous pouvez vous la procurer en ligne en tout temps. Les services GE Appliances seront toujours disponibles après l'expiration de la garantie. Aux États-Unis :

GEAppliances.com/ge/service-and-support/shop-for-extended-service-plans.htm ou composez le 800.626.2224 durant les heures normales de bureau.

Au Canada : **GEAppliances.ca/en/support/purchase-extended-warranty** ou composez le 800.290.9029

Connectivité à distance

Pour de l'assistance concernant la connectivité au réseau sans fil (pour les modèles équipés de cette fonction), visitez notre site Web au **GEAppliances.com/ge/connected-appliances/** ou composez le 800.220.6899 aux États-Unis seulement.

Pièces et accessoires

Les personnes ayant les compétences requises pour réparer elles-mêmes leurs appareils peuvent recevoir directement à la maison des pièces ou accessoires (les cartes VISA, MasterCard et Discover sont acceptées). Commandez en ligne 24 heures par jour.

Aux États-Unis : **GEApplianceparts.com** ou par téléphone au 877.959.8688 durant les heures normales de bureau.

Les instructions contenues dans le présent manuel comportent des procédures que tout utilisateur peut effectuer. Les autres types de réparation doivent généralement être confiés à un technicien qualifié. Utilisez de prudence : une réparation ou un entretien mal effectués peuvent rendre l'utilisation de l'appareil dangereuse.

Les consommateurs au Canada doivent consulter les pages jaunes pour connaître le centre de service Mabe le plus proche, visiter notre site Web au **GEAppliances.ca/en/products/parts-filters-accessories** ou composer le 1.800.661.1616.

Communiquez avec nous

Si vous n'êtes pas satisfait du service après-vente de GE Appliances, communiquez avec nous depuis notre site Web en fournissant tous les détails dont votre numéro de téléphone, ou écrivez à :

Aux États-Unis : General Manager, Customer Relations | GE Appliances, Appliance Park | Louisville, KY 40225
GEAppliances.com/ge/service-and-support/contact.htm

Au Canada : Director, Consumer Relations, Mabe Canada Inc. | Suite 310, 1 Factory Lane | Moncton, N.B. E1C 9M3
GEAppliances.ca/en/contact-us



Zoneline®

ACONDICIONADOR DE AIRE

INFORMACIÓN DE SEGURIDAD ... 3

USO DEL ZONELINE

Controles 4
 Para Retirar la Tapa del Acondicionador de Aire de Pared 5
 Dirección del Aire 5
 Control de la Ventilación 5
 Controles Auxiliares..... 6
 Termostato Remoto..... 11
 Aire de Reposición..... 12

CUIDADO Y LIMPIEZA

Tapa y Caja del Acondicionador de Aire de Pared 13
 Bobinas Externas 13
 La Bandeja de la Base 13
 Filtro de la Ventilación 13
 Filtros de Aire..... 14

INSTRUCCIONES DE INSTALACIÓN

Preparación..... 15
 Reemplazo de una Unidad Existente ... 16
 Conexión Eléctrica..... 17
 Instalación del Zoneline 20
 Kit de Drenaje Opcional 22

CONSEJOS PARA LA SOLUCIÓN DE PROBLEMAS 23

Sonidos Normales de Funcionamiento... 25

SOPORTE AL CLIENTE

Garantía 27
 Soporte al Cliente 28

MANUAL DEL PROPIETARIO

AZ45

AZ65

Escriba los números de modelo y de serie aquí:

Nº de Modelo _____

Nº de Serie _____

Encontrar estos números en una etiqueta detrás de la cubierta en la habitación bandeja de la base.

GRACIAS POR HACER QUE GE APPLIANCES SEA PARTE DE SU HOGAR.

Ya sea que haya crecido usando GE Appliances, o que ésta es su primera vez, nos complace tenerlo en la familia.

Sentimos orgullo por el nivel de arte, innovación y diseño de cada uno de los electrodomésticos de GE Appliances, y creemos que usted también. Entre otras cosas, el registro de su electrodoméstico asegura que podamos entregarle información importante del producto y detalles de la garantía cuando los necesite.

Registre su electrodoméstico GE ahora a través de Internet. Sitios Web y números telefónicos útiles están disponibles en la sección de Soporte para el Consumidor de este Manual del Propietario.

También puede enviar una carta en la tarjeta de inscripción preimpresa que se incluye con el material embalado.



GE APPLIANCES

INFORMACIÓN IMPORTANTE DE SEGURIDAD

LEA TODAS LAS INSTRUCCIONES ANTES DE USAR

ADVERTENCIA

Para su seguridad, se debe seguir la información de este manual para minimizar el riesgo de incendio o explosión, descargas eléctricas, o para evitar daños a la propiedad, lesiones personales o la muerte.

PRECAUCIONES DE SEGURIDAD

- Antes de iniciar su uso, el acondicionador de aire Zoneline debe instalarse correctamente según las Instrucciones de instalación. Ver las Instrucciones de instalación en la parte trasera de este manual.
- Reemplace inmediatamente todos los cables eléctricos que se haya pelado o que se hayan dañado de alguna otra manera. Un cable de corriente dañado no debe repararse, sino que debe ser sustituido por uno nuevo que se adquiera del fabricante. No use un cable eléctrico que muestre evidencias de deterioro o daños de abrasión en su superficie o en cualquiera de sus enchufes o extremos.
- Desenchufe o desconecte el Zoneline desde la caja de fusibles o el disyuntor antes de realizar cualquier tipo de reparación.

NOTA: Recomendamos enérgicamente que cualquier servicio llevado a cabo en este equipo lo realice un individuo calificado.

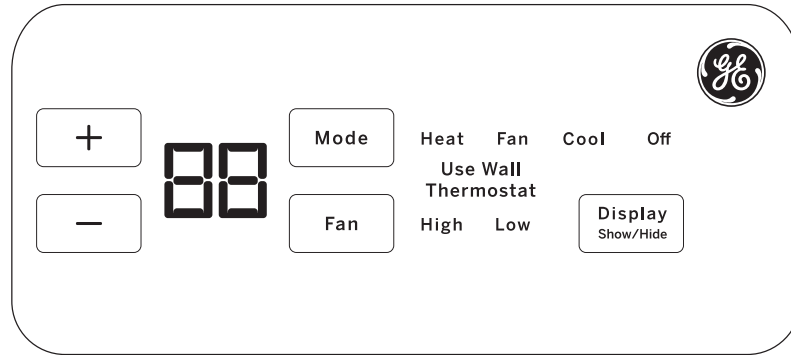
- Los sistemas de acondicionador de aire R410A requieren que los contratistas y técnicos utilicen herramientas, equipamiento y normas de seguridad aprobadas para su uso con este refrigerante. **NO utilice equipamiento certificado sólo para refrigerante R22.**

¿Desea reemplazar una unidad ya instalada?

Para más detalles, ver las Instrucciones de instalación en este manual.

LEA Y GUARDE ESTAS INSTRUCCIONES

Controles



Control de Temperatura

El control de temperatura se usa para mantener la temperatura del ambiente. El sistema realizará el ciclo de encendido y apagado para mantener la habitación al mismo nivel de confort.

Presione la tecla + para elevar la temperatura.

Presione la tecla - para reducir la temperatura.

NOTA: La pantalla muestra la temperatura configurada, y no la temperatura ambiente.

Control del Ventilador, Modo y Funcionamiento

VENTILADOR – Configura el funcionamiento del ventilador en **HIGH (Alto)** o **LOW (Bajo)**.

MODE (Modo)—**COOL (Refrescar)** – Para refrigerar

FAN (Ventilador) – Para el funcionamiento del ventilador únicamente

HEAT (Calefaccionar) – Para calefaccionar

OFF (Apagar) – Apagar la unidad. El encendido permanece conectado al Zoneline. Las funciones de Freeze/Heat Sentinel (Centinela de Refrigeración/ Calefacción) aún funciona si está activo. Consulte la sección de Freeze/Heat Sentinel (Centinela de Refrigeración/ Calefacción) en la página 7.

USE EL TERMOSTATO DE PARED — Esta luz LED se iluminará cuando la unidad sea controlada por un termostato de pared. Para más detalles, consulte la página 8.

Bloqueo del Control

El panel de control puede ser bloqueado para evitar que los usuarios cambien el modo de funcionamiento de la unidad. Mientras la unidad esté en el modo de funcionamiento deseado, mantenga presionado el botón DISPLAY SHOW/HIDE (Mostrar/ Ocultar la Pantalla) durante 10 segundos para bloquear el control y la configuración deseada. Presionar cualquier tecla luego de esto hará que el modo LED y la temperatura que fue bloqueada titilen 5 veces y que luego queden inactivos. Para desbloquear la función de bloqueo del control, presione el botón DISPLAY SHOW/HIDE (Mostrar/ Ocultar el Control) durante 10 segundos para realizar el desbloqueo y reiniciar el funcionamiento normal.

NOTA: La pantalla de temperatura titilará si el panel de control está bloqueado.

NOTA: Al cambiar entre modos, es posible que tome varios minutos cambiar el funcionamiento completamente.

Recuperación Rápida del Calor

Se activa cada vez que el termostato es pasado del modo **OFF (Apagar)** o **COOL (Refrescar)** al modo **HEAT (Calefaccionar)**, en los modelos con bomba de calor. Los calefactores eléctricos son alimentados hasta que el

punto de configuración máxima del termostato es alcanzado. El funcionamiento de esta última se reiniciará la próxima vez que se active la función de calefacción.

Acerca de la Bomba de Calor (AZ65 únicamente)

Las bombas de calor permiten ahorrar dinero al capturar el calor del aire exterior – incluso cuando la temperatura externa esté por debajo de helada – y liberando ese calor hacia el área interna.

Para acceder al mejor rendimiento de la energía desde la bomba de calor, no cambie el termostato del ambiente a más de un grado por vez. Elevar la configuración de calor en 2 o 3 grados hará que el Zoneline use sus elementos de calefacción eléctrica, a fin de alcanzar la nueva configuración de temperatura rápidamente.

Los elementos de calefacción eléctrica usan más electricidad que las bombas de calor y tienen un mayor costo de funcionamiento.

Existe un tiempo de funcionamiento mínimo del compresor de 3 minutos en cualquier configuración para evitar ciclos cortos.

El ventilador se inicia antes que el compresor y se detiene una vez que el compresor deja de realizar ciclos.

Cuando la temperatura externa sea inferior a 25°F, el calor será provisto por el calentador eléctrico y no por la bomba de calor.

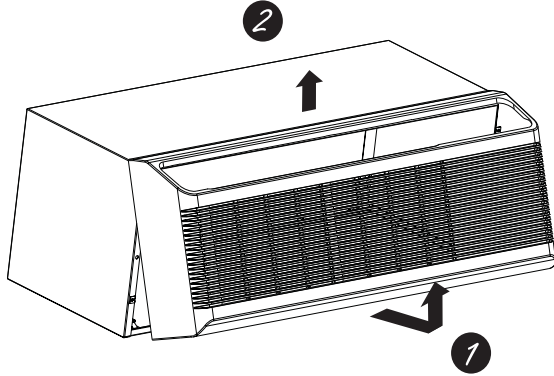
Cuando la temperatura exterior sea inferior a 35°F, la función de enfriamiento se bloqueará para evitar daños sobre el compresor. El funcionamiento se reiniciará cuando la temperatura exterior sea superior a 40°F.

Uso del Zoneline

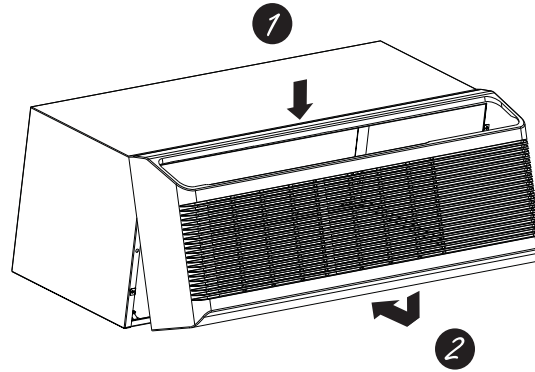
Para Retirar el Frente del Acondicionador de Aire de Pared

Los controles adicionales están ubicados detrás de la tapa del acondicionador de aire de pared.

Para retirar: Empuje hacia usted desde la parte inferior para liberarlo de las lengüetas de sujeción laterales (1). Luego levante (2).



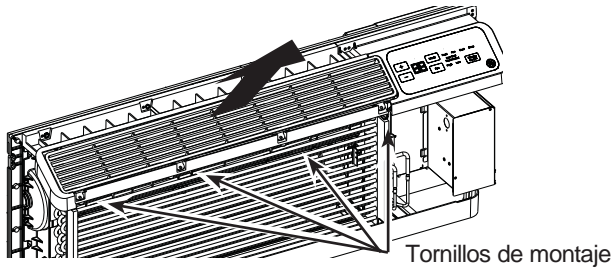
Para reemplazar: Alinee y coloque el riel superior de la tapa del acondicionador de aire de pared sobre el chasis (1). Presione hacia adentro en la parte inferior hasta que calce en su posición (2).



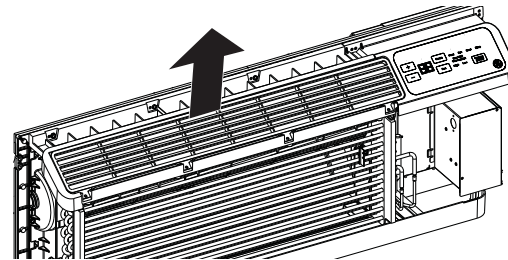
Dirección del Aire

A fin de cambiar la dirección del aire, retire la tapa del acondicionador de aire de pared. Retire los 4 tornillos de montaje que sostienen la inserción del montaje en su posición. Rote el

montaje 180°, reinstale y reemplace los tornillos y la tapa del acondicionador de aire de pared.



Orientación del Montaje Enviado de Fábrica (flujo de aire a 45° desde la posición horizontal)



Orientación del Montaje Modificada (flujo de aire a 65° desde la posición horizontal)

Control de Ventilación*

NOTA: Los dos tornillos enviados deben ser retirados de la puerta de la ventilación antes del uso. Consulte las Instrucciones de Instalación en el reverso de este manual. Si no planea usar la función de ventilación, deje los dos tornillos en su posición.

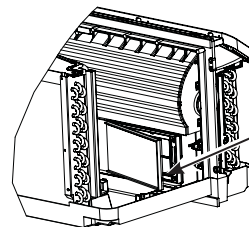
La palanca del control de ventilación está ubicada del lado inferior izquierdo de la unidad del Zoneline, detrás de la tapa del acondicionador de aire de pared. La posición de la palanca puede ser ajustada con la tuerca mariposa.

Cuando se configure en la posición cerrada, sólo el aire dentro de la habitación se hará circular y será filtrado.

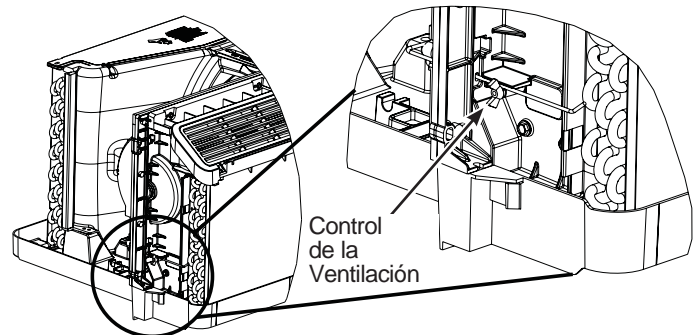
Cuando esté configurado en una posición abierta, una parte del aire externo será dirigida hacia adentro de la habitación. Esto reducirá la eficiencia de la calefacción y refrigeración.

Consejo Energético: Mantenga el control de ventilación en la posición cerrada, a fin de evitar la entrada de aire no acondicionado a la habitación.

* No en Unidades con Módulos de Reposición de Aire.



Retire los tornillos enviados (si se desea esta operación)



Control de la Ventilación

Controles auxiliares del Zoneline

Controles Auxiliares – Botón de Configuración Auxiliar

Mientras que la unidad se encuentra preconfigurada de acuerdo con la preferencia de la mayoría de los clientes, la misma cuenta con controles auxiliares ubicados detrás de la tapa de la sala, debajo del panel de control.

Retire la tapa de la sala. Consulte la sección de Retiro de la Parte Frontal de la Sala, en la página 5.

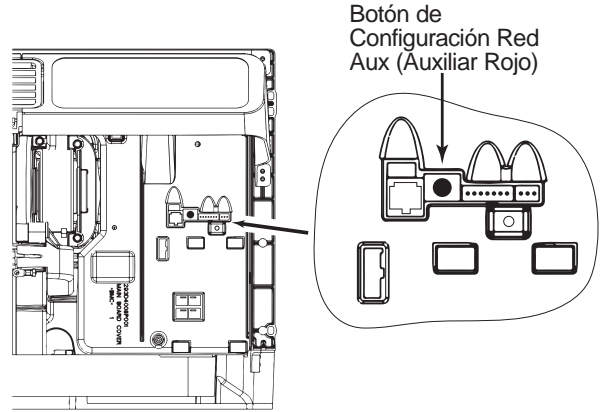
Si el propietario modifica los controles auxiliares, es entonces responsabilidad del propietario asegurar que los mismos se encuentren configurados en relación al funcionamiento deseado. Existen modos/ funciones múltiples que se pueden ajustar usando el botón de configuración auxiliar.

Para cambiar el funcionamiento o configurar parámetros, primero vaya al control de modo y apague la unidad, luego presione el botón AUX SET (Configuración Auxiliar) (en la pantalla aparecerá "AU").

Presione el botón de modo en la tecla de control hasta que el primer dígito en la pantalla muestre el número correspondiente al modo que está eligiendo y que el LED de HEAT/COOL (Calefaccionar/ Refrescar) correcto esté encendido.

Presione el botón +/- para ajustar la selección de configuraciones cuando corresponda (se muestra en el segundo dígito de la pantalla).

Presione el botón AUX SET (Configuración Auxiliar) para bloquear la selección, y salir del modo AUX SET (Configuración Auxiliar).



Press "Aux Set"		Press "Aux Set"		Press "Aux Set"	
A First Digit	U Second Digit	A First Digit	U Second Digit	A First Digit	U Second Digit
Press "Mode"	Press +/-	Press "Mode"	Press +/-	Press "Mode"	Press +/-
1 Smart Fan <small>HEAT COOL</small>	U - Cycle / \overline{U} - Continue	5 Temperature Limit <small>HEAT COOL</small>	U - Off / \overline{U} - On	0 Makeup Air Mode *	U - Disable / \overline{U} - Enable
2 Temperature Display	F / C	6 Class 2 Mode	U - Off / \overline{U} - On	E Makeup Air Occupancy *	U - Disable / \overline{U} - Enable
3 Sentinel <small>HEAT COOL</small>	U - Off / \overline{U} - On	7 Duct Mode *		F Engineering Revision *	U - Disable / \overline{U} - Enable
4 Constant Fan	U - Off / \overline{U} - On	8 All I2R Mode (AZ65 Only)		C UVC Mode *	U - Disable / \overline{U} - Enable
		9 Boost Heat (AZ65 Only)			

* Not available on all models.

U - Off / \overline{U} - On (Cool/Heat) / A - On (Auto Change Over)

293D5363P001

MODO 1 Refrescar/ Calefaccionar con Ventilador Inteligente

Presione MODE (Modo) hasta que aparezca un 1 en el primer dígito de la pantalla para el modo refrescar Smart Fan (Ventilador Inteligente). La luz COOL LED (LED de Refrescar) del control principal estará encendida. Para cambiar el modo de calefacción, presione MODE (Modo) nuevamente. La luz HEAT LED (LED de Calefaccionar) del control principal estará encendida.

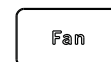
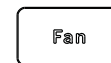
Presione la tecla - para configurar el ventilador interno para que realice ciclos de encendido y apagado en el modo para calefaccionar y refrescar seleccionado "U".

Presione la tecla + para configurar el ventilador interno para que funcione de forma continua en el modo para calefaccionar y refrescar seleccionado "A".

Presione AUX SET (Configuración Auxiliar) para confirmar su selección y salida del modo AUX SET (Configuración Auxiliar), o presione MODE (Modo) para continuar configurando otras funciones.

La configuración por omisión para el Modo 1 es la siguiente: Refrescar: Calefacción Continua (Encendido): Ciclo (Apagado)

***Nota:** En el modo para refrescar cíclico, el ventilador interno se activará de forma ocasional para verificar la temperatura del aire en la habitación. En el modo para calefaccionar cíclico, el ventilador continuará funcionando durante varios segundos luego de que la función de calefacción se haya detenido



Controles auxiliares del Zoneline

MODO 2 Fahrenheit / Celsius

Esta función le permite al individuo cambiar las unidades de temperatura entre Fahrenheit y Celsius en la pantalla.

Presione **MODE** hasta que aparezca un 2 en el primer dígito de la pantalla para Fahrenheit/ Celsius en la pantalla.

Presione la tecla – para seleccionar Celsius o la tecla + para seleccionar Fahrenheit. El individuo verá una F para Fahrenheit o una C para Celsius en el segundo dígito de la pantalla en base a la selección.

La configuración por omisión para el Modo 2 es en Fahrenheit.



MODO 3 Centinela de Congelación/ Centinela de Calefacción

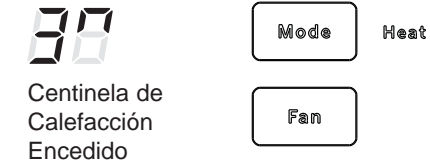
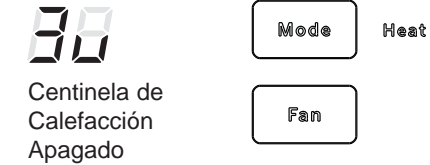
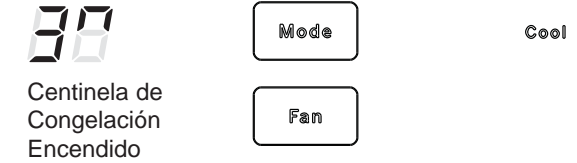
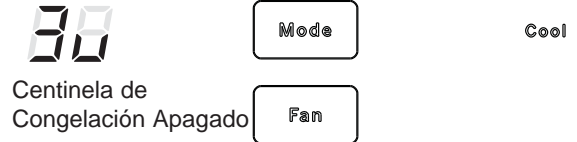
Con la unidad encendida y **Freeze Sentinel** activado, la unidad brinda automáticamente calor sin la interface de usuario. Esto evita posibles daños de plomería, al encender la calefacción y el ventilador interno en 41°F y luego apagarlo una vez que la temperatura del ambiente alcance los 46°F.

Cuando **Heat Sentinel** está activado, la unidad brinda automáticamente frío sin la interface de usuario. Esto evita que haya un calor excesivo en el ambiente, encendiendo el acondicionador de aire en 85°F y luego apagando el mismo una vez que la temperatura del ambiente alcance los 80°F.

Presione **MODE** hasta que aparezca un 3 en el primer dígito de la pantalla para el modo **Freeze Sentinel**. La luz **COOL** LED del control principal estará encendido. Presione **MODE** nuevamente para cambiar al **Heat Sentinel**. La luz **HEAT** LED del control principal estará encendido. Presione la tecla – para **OFF** “□” o la tecla + para **ON** “□”. Esto se muestra en el segundo dígito de la pantalla. Presione **AUX SET** para bloquear su selección y salida del modo **AUX SET**, o presione **MODE** para continuar configurando otras funciones.

En la configuración por omisión para el Modo 3, el **Heat Sentinel** está apagado, y el **Freeze Sentinel** está encendido.

NOTA: Estas funciones están activas cuando la unidad es enchufada, incluso aunque la unidad esté apagada.



MODO 4 Ventilador Constante Encendido

Presione **MODE** hasta que aparezca un 4 en el primer dígito de la pantalla para configurar el ventilador, a fin de que funcione de forma continua en alta velocidad. **Nota: Esto hace que el ventilador funcione de forma continua incluso cuando la unidad se encuentre apagada.**

Presione la tecla – para **OFF** “□” o la tecla + para **ON** “□”. Esto se muestra en el segundo dígito de la pantalla.

Presione **AUX SET** para bloquear su selección y salida del modo **AUX SET**, o presione **MODE** para continuar configurando otras funciones.

La configuración por omisión para el Modo 4 está en **OFF**.



Controles auxiliares del Zoneline

MODO 5 Limitación de Temperatura

La limitación de temperatura es una función que reduce los costos de energía, limitando la temperatura más baja que se pueda obtener en la refrigeración y la temperatura más alta que se pueda obtener en la calefacción.

Presione MODE (Modo) hasta que aparezca el 5 en el primer dígito de la pantalla para activar el modo Temperature Limiting (Limitación de Temperatura). En el modo de refrigeración, se iluminará la luz COOL LED (LED de Frio) en el control principal. La luz COOL LED (LED de Refrescar) del control principal estará encendida. Para cambiar el modo de calefacción, presione MODE (Modo) nuevamente y la luz HEAT LED (LED de Calefaccionar) del control principal se encenderá.

Para configurar los límites de temperatura, presione la tecla + o -. El segundo dígito de la pantalla será entre 0 y 7 dependiendo del límite que desee configurar. El siguiente cuadro muestra los límites disponibles. Presione AUX SET (Configuración Auxiliar) para bloquear su selección y salida del modo AUX SET (Configuración Auxiliar), o presione MODE (Modo) para continuar configurando otras funciones.

Límites de Temperatura Refrescar	Límites de Temperatura - Calefaccionar
0 = 60°F to 85°F	0 = 60°F to 65°F
1 = 64°F to 85°F	1 = 60°F to 70°F
2 = 66°F to 85°F	2 = 60°F to 72°F
3 = 68°F to 85°F	3 = 60°F to 74°F
4 = 70°F to 85°F	4 = 60°F to 76°F
5 = 72°F to 85°F	5 = 60°F to 78°F
6 = 74°F to 85°F	6 = 60°F to 80°F
7 = 76°F to 85°F	7 = 60°F to 85°F

La configuración por omisión es en el Modo 5 y es la siguiente:

Refrescar: 2 (66°F a 85°F)

Calefaccionar: 5 (60°F a 78°F)

52

Mode

Cool

Fan

Limitación de Temperatura Fresca – Límite 2

55

Mode

Heat

Fan

Limitación de Temperatura de Calefacción – Límite 5

MODO 6 Use el Termostato de Pared

Configurar este modo en ON (Encendido) permitirá que la unidad funcione con un Termostato de Pared a Control Remoto Clase 2.

Presione MODE (Modo) hasta que aparezca un 6 en el primer dígito de la pantalla para el modo Clase 2.

Presione la tecla + para activar la opción ON “ \square ” para termostatos de “frío/calor estándar”. Presione la tecla + nuevamente para activar la opción ON “ \bar{R} ” para el termostato de “cambio automático”. Puede presionar la tecla - para regresar a la configuración anterior. Press **AUX SET** to lock in your selection and exit **AUX** Appuyez sur **AUX** Presione AUX SET (Configuración Auxiliar) para bloquear su selección y salida del modo AUX SET (Configuración Auxiliar), o presione MODE (Modo) para continuar configurando otras funciones.

La configuración por omisión para el Modo 6 está en OFF (Apagada). Cuando este modo esté activado, la pantalla mostrará “Usar Termostato de Pared” cuando cualquier tecla sea presionada.

60

Clase 2 APAGADO

60

Clase 2 ENCENDIDO (Termostatos con Selección de Cool/Heat (Frio/ Calor))

60

Clase ENCENDIDO (Cambio Automático sobre el Termostato)

MODO 7 Conducto

Esta configuración es usada cuando la unidad es instalada con un kit con adaptador del conducto. Si la unidad posee un conducto, se deberá configurar Duct Mode (Modo de Conducto) en ON (Encender). Esto incrementa la velocidad del ventilador, asegurando una circulación adecuada.

Presione MODE (Modo) hasta que un 7 aparezca en el primer dígito de la pantalla. Presione la tecla + o - (la tecla (+ o -) para cambiar el segundo dígito a OFF (Apagado) “ \square ” u ON (Encendido) “ \square ”. Presione AUX SET (Configuración Auxiliar) para bloquear su selección y el modo de salida AUX SET (Configuración Auxiliar).

Presione AUX SET (Configuración Auxiliar) para bloquear su selección y salir del modo AUX SET (Configuración Auxiliar), o presione MODE (Modo) para continuar configurando otras funciones.

La configuración por omisión para el Modo 7 está en OFF (Apagada).

70

Modo de Conducto Apagado

70

Modo de Conducto Encendido

Controles auxiliares del Zoneline

MODO 8 Calefacción Sólo Eléctrica (AZ65 únicamente)

Esta opción de calor eléctrico funciona sólo en el modelo AZ65. Cuando esta opción está en ON "□", el funcionamiento de la bomba de calor está bloqueado, haciendo que la unidad sólo brinde calefacción de resistencia eléctrica.

Para ajustar la opción All-Electric Heat (Calor Todo Eléctrico), presione MODE hasta que un 8 aparezca en el primer dígito de la pantalla. Presione la tecla + o - para configurar este interruptor en OFF "□" u ON "□". Esto se muestra en el

segundo dígito de la pantalla.

Presione AUX SET para bloquear su selección y salida del modo AUX SE, o presione MODE para continuar configurando otras funciones.

La configuración por "88" para el Mo: "88" en OFF.

Calefacción
Sólo Eléctrica
Apagada

Calefacción
Sólo
Eléctrica
Encendida

MODO 9 Acelerar Calefacción (AZ65 únicamente)

Cuando Heat Boost está en ON y las temperaturas externas son de entre 25°F y 46°F, se agregará calor eléctrico adicional al funcionamiento de la bomba de calor, a fin de mantener una temperatura ambiente consistente y confortable.

Para configurar Heat Boost, presione MODE hasta que un 9 aparezca en el primer dígito de la pantalla. Presione la tecla + o - para configurar este interruptor en OFF "□" u ON "□". Esto se muestra en el segundo dígito de la pantalla. Presione AUX SET para bloquear su selección y el modo de salida AUX SET, o presione MODE (Modo) para continuar configurando otras funciones.

La configuración por omisión para el Modo 9 está en OFF.

90

Aceleración de
Calefacción
Apagada

90

Aceleración de
Calefacción
Encendida

MODE 0 Velocidad del Ventilador del Módulo de Aire de Reposición Digital (Disponible sólo en Modelos de Aire de Reposición)

Presione la tecla MODE hasta que aparezca el 0 en el primer dígito de la pantalla, para activar el modo Digital Makeup Air. Para apagar el módulo o cambiar las velocidades del ventilador, presione las teclas + o -. 00 indica que el módulo está apagado. 01= módulo activado con ventiladores configurados a 25cfm, 02 = módulo activado con ventiladores configurados a 30cfm, etc.

La configuración por omisión para el módulo 0 está en ON "□" con el ventilador en una velocidad de 35 cfm.

Presione AUX SET (Configuración Auxiliar) para bloquear su selección y salir del modo AUX SET (Configuración Auxiliar), o presione MODE (Modo) para continuar configurando otras funciones.

NOTA: Apagar el ventilador también cierra la puerta del conducto de Aire de Reposición.

MODE E Ocupación del Módulo de Aire de Reposición Digital

La Ocupación en la Reposición de Aire permite que la unidad apague el aire de reposición cuando la sala no esté ocupada cuando se use con un termostato con sensor y señal de ocupación aprobado.

Para activar la detección de la ocupación y apagar el sistema de Aire de Reposición cuando la sala esté desocupada, presione la tecla MODE hasta que aparezca una E en el primer dígito de

la pantalla. Presione la tecla + para configurar la detección de la ocupación en ON "□".

La configuración por omisión para el Modo E está en OFF "□".

Presione AUX SET (Configuración Auxiliar) para bloquear su selección y salir del modo AUX SET, o presione MODE para continuar configurando otras funciones.

MODE P Configuración de la Revisión de Ingeniería

Esta configuración es utilizada para configurar la unidad cuando el tablero del circuito sea reemplazado.

Cuando la unidad sea encendida por primera vez luego de la instalación del tablero de servicios, la unidad ingresará de forma automática a este modo. En el UI se leerá "P1". Presione la tecla "+" hasta que el número coincida con la revisión de ingeniería, como se muestra. La revisión de ingeniería es el último número del número de modelo. Presione AUX SET para guardar y salir. La revisión de ingeniería podrá ser ajustada luego del primer ciclo de energía donde se use AUX SET (Config. Aux.). Presione MODE (Modo) hasta que aparezca "P" en el primer dígito, y siga los pasos descriptos más arriba.

Ejemplo de Nomenclatura
AZ45E09DABW2

Revisión de Ingeniería

02

Presione AUX SET para bloquear su selección y salir del modo AUX SET, o presione MODE para continuar configurando otras funciones.

Controles auxiliares del Zoneline

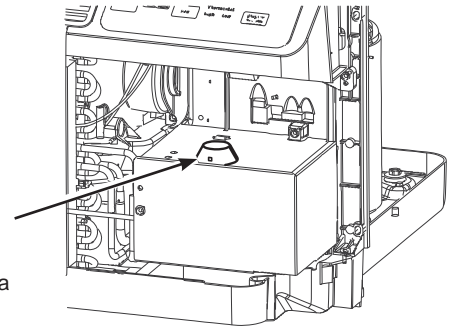
MODE C Luz UVC (disponible sólo en modelos equipados con UVC)

Para activar la función de luz UVC, presione la tecla MODE (Modo) hasta que aparezca una C en el primer dígito de la pantalla. Presione la tecla + o - para configurar la luz UVC en OFF (Apagado) " □ " u ON (Encendido) " ▣ ".

La configuración por omisión para el Modo C es OFF (Apagado) " □ ".

Presione AUX SET para bloquear su selección y salir del modo AUX SET, o presione MODE para ir al inicio de las configuraciones auxiliares.

El indicador LED sobre la parte superior de la caja de empalmes se iluminará cuando la luz UVC se encuentre activa



Controles Auxiliares – Conexiones de la Terminal

Las conexiones terminales del control auxiliar se encuentran ubicadas detrás de la tapa de la sala, debajo de los controles de la unidad.

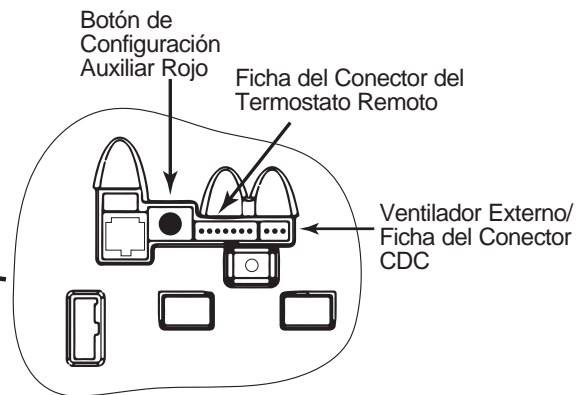
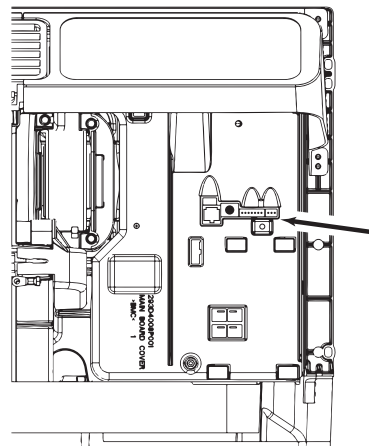
1. Apague y desenchufe la unidad.
2. Retire la tapa del acondicionador de aire de pared. Consulte la sección Para Retirar la Tapa del Acondicionador de Aire de Pared.
3. Para realizar conexiones de cables, inserte los conectores en las terminales correspondientes de la caja de control.
4. Una vez realizadas todas las conexiones deseadas, vuelva a

colocar la tapa de la sala.

El propietario es responsable de realizar todas las conexiones y de configurar el modos AUX SET (Configuración Auxiliar) adecuado.

AVISO:

Un cableado incorrecto podrá dañar las piezas electrónicas del Zoneline. No se permite un transporte común. Se podrán producir daños o un funcionamiento errático. Un par de cables aparte se deberán instalar desde cada interruptor de control separado hasta cada Zoneline individual.

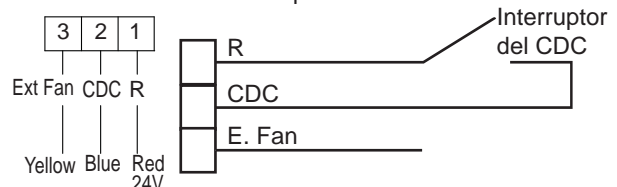


Control desde la Mesa Central (Suministrado en Campo)

Central Desk Control (Control desde la Mesa Central) es una función que permite que la unidad sea operable/ inoperable desde una ubicación remota. El funcionamiento de la función requiere que un interruptor ON-OFF en la ubicación remota esté conectado por cable a las dos terminales de la CDC en el panel de control del Zoneline. Cuando el interruptor remoto se encuentre CERRADO, la unidad no se podrá usar en los modos Fan (Ventilador), Cool (Frío) o Heat (Calor) a través de los controles locales. Las funciones de Freeze Sentinel y Heat Sentinel permanecen operables. Cuando el interruptor remoto está en Abierto, la unidad

estará completamente operable a través del control local.

NOTA: La función CDC no se podrá usar en los modos DBM y EBM cuando el modo de ocupación se encuentre activado.



Aire de Reposición y Detección de Ocupación

El cable CDC puede servir para una función diferente en los modelos de Aire de Reposición, si se lo desea. Al usar un termostato aprobado con una señal de detección de ocupación normalmente abierta, el cableado hacia la terminal del CDC se podrá configurar para apagar el sistema de Aire de Reposición cuando la sala no se encuentre ocupada. Para que la función del CDC funcione en la detección de

Ocupación y el control del Aire de Reposición en la ocupación, DEBERÁ estar ACTIVADO el MODO E (vea la página 11). Si el Modo E está apagado, la señal activará la función CDC y apagará la unidad cuando la sala se encuentre desocupada, haciendo que no haya control sobre las temperaturas y la humedad.

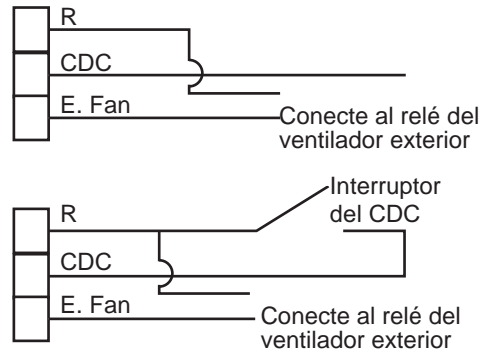
Consulte la información adicional sobre el modelo de Aire de Reposición en la página 14.

Controles auxiliares del Zoneline

Ventilador Externo (Instalados en Campo)

Cuando se encuentre conectado, un ventilador auxiliar o externo se podrá controlar al mismo tiempo que el motor del ventilador interior del Zoneline. Las conexiones brindan 24 VAC para alimentar un relé remoto.

A fin de permitir la activación de esta función, se deberá instalar un tablero de control WP26X22240 y un accesorio RAKCDC. Para los números de modelo que finalizan en W5 o más alto, use el Tablero de Control WP26X2505 (para modelos anteriores que sean W4 o inferior, use el WP26X22240)



Termostato Remoto (Suministrado con el Producto)

El Conector del Termostato Remoto del Kit RAKTK8PA1* es necesario para permitir el uso de un termostato de pared remoto en lugar de los controles de la unidad del Zoneline.

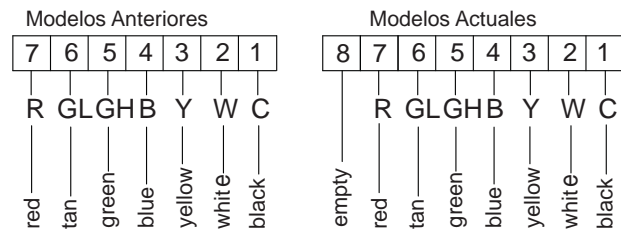
Cuando se conecte a un termostato remoto, el sensor de temperatura de aire interno se pasa desde la unidad al termostato remoto. Por esta razón, las unidades funcionarán de forma levemente diferente cuando se conecten a un termostato remoto. El siguiente cuadro muestra el funcionamiento de la unidad cuando está conectada a un termostato remoto.

IMPORTANTE: Las conexiones del termostato del Zoneline brindan 24 V AC únicamente.

Si usará un termostato de pared digital/ electrónico, deberá configurarlo en el ajuste de 24 V AC. Consulte las Instrucciones de Instalación para el termostato de pared.

AVISO:

Daños sobre un termostato de pared o las piezas electrónicas del Zoneline pueden provocar conexiones inadecuadas. Se deberá tener especial cuidado al conectar los cables. No se deberán realizar conexiones de la línea de voltaje en ningún circuito. Aisle todos los cables del edificio de la línea de voltaje.



Active las funciones de la UNIDAD al usar un termostato remoto

Función	Bomba de Calor	Calefacción Eléctrica
Control de Congelación Interna	Sí	Sí
Centinela de Congelación	Sí	Sí
Limitación de Temperatura Electrónica	No	No
Interruptor del Calor de la Resistencia Basada en la Temperatura Interna	Determinado por el Termostato Remoto	N/A
Interruptor del Calor de la Resistencia Basada en la Temperatura Externa	Sí	N/A
Descongelación por Ciclo de Inversión	Sí	N/A
Calor Parcial de la Resistencia en Simultáneo con la Bomba de Calor	Sí	N/A
Bloqueo del Calor de la Resistencia	Sí	N/A
Ciclo de Ventilación del "Ventilador Inteligente"	Ventilador ENCENDIDO/AUTOMÁTICO Configurado en Termostato Remoto	Ventilador Encendido/Automático Configurado en Termostato Remoto
Central Desk Control	Sí	Sí

NOTA: La configuración del Modo de Clase 2 (Modo 6) debe ser configurado en ON (Encendido) "□" para que la unidad funcione con un Termostato de Pared Remoto Clase 2. (Consulte las Instrucciones de Instalación suministradas con el termostato remoto y las instrucciones del modo en la página 10).

* también disponible en un paquete de diez – RAKTK8PA10

Modelos con Aire de Reposición (no en todas las unidades)

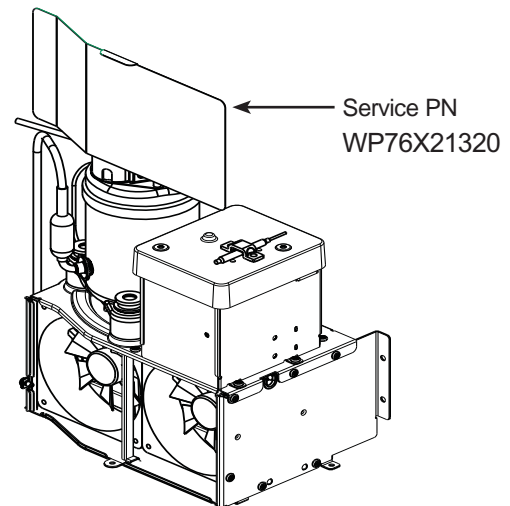
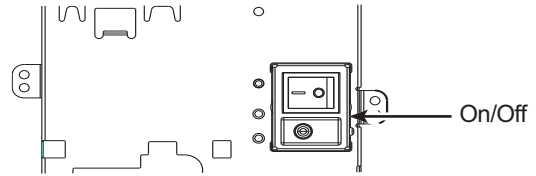
El sistema de ventilación con aire de reposición fue diseñado para brindar aire externo de forma continua, a través de la puerta de ventilación y en la sala. Además de brindar aire fresco, deshumidifica el aire entrante cuando la humedad relativa es superior al 55%.

*Modelos DAM

El sistema de ventilación de aire de reposición es operado a través de una palanca ubicada en la parte frontal de la tapa del control eléctrico, debajo del frente del espacio del Zoneline. El sistema es activado y desactivado pulsando el botón de encendido (I) o el botón de apagado (O), como se muestra en la ilustración.

Si el Zoneline debe ser operado como PTAC o PTHP únicamente, se deberán seguir los siguientes pasos:

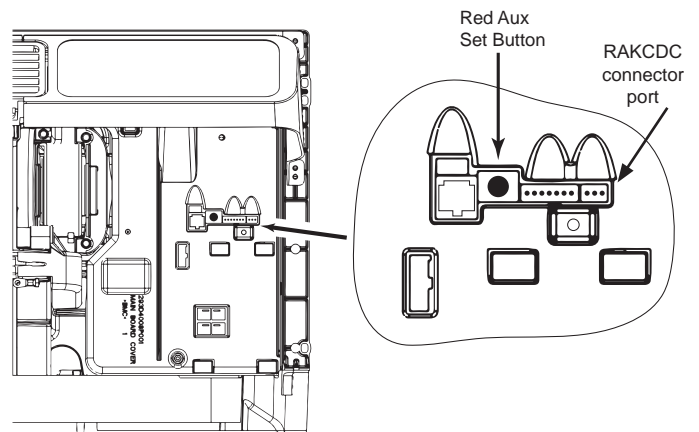
1. Ordene la pieza de servicio N° WP76X21320.
2. Desenchufe el Zoneline.
3. Retire el frente del espacio.
4. Apague el sistema de ventilación, presionando el botón on/off (encendido/ apagado), de modo que off (apagado, O) sea seleccionado (consulte la ubicación en la ilustración que aparece más arriba).
5. Empuje hacia usted el Zoneline a través de la manga de la pared e instale la pieza de servicio N° WP76X21320, como se muestra en la ilustración.
6. Vuelva a empujar el Zoneline sobre la manga de la pared y vuelva a activar la corriente en la unidad.



*Modelos *DBM y *EBM

El sistema de ventilación de aire de reposición es operado a través del menú auxiliar del Zoneline (consulte la sección de Controles Auxiliares). Para encender o apagar el sistema, siga las siguientes instrucciones:

1. Retire el frente del espacio.
2. Presione el botón de control de modo y apague la unidad.
3. Presione el botón AUX SET (Config. Aux., "AU" es visualizado en la pantalla).
4. Para apagar el MUAM, presione el botón de control de modo hasta que se visualice "0" en el primer dígito. Consulte el Control Auxiliar en la página 8 y el Modo 0 en la página 11.
5. Presione la tecla menos en el panel de control, hasta que se visualice "00" para apagar el módulo de aire de reposición y cierre la puerta del conducto de reposición de aire.
6. El sistema está preconfigurado de fábrica en 35 cfm. Para modificar dicho valor, presione las teclas + o - hasta alcanzar la velocidad del ventilador deseada: 1=25cfm, 2=30cfm, 3=35cfm, 4=40cfm, 5=45 cfm y 6=50cfm.
7. Presione el botón Aux (Auxiliar) rojo nuevamente para guardar los cambios. Luego vuelva a llevar la unidad del Zoneline a su funcionamiento normal.



NOTA: Las unidades de aire de reposición digital realizarán un control del sistema sobre el encendido, sobre el ciclo de corriente, y una vez cada 7 días si la unidad se encuentra en el modo de ocupación. (Mode E encendido) El control del sistema dura aproximadamente 45 segundos. Durante este tiempo, los ventiladores de aire de reposición se acelerarán, reducirán su velocidad, y luego irán al punto de configuración.

Cuidado y Limpieza

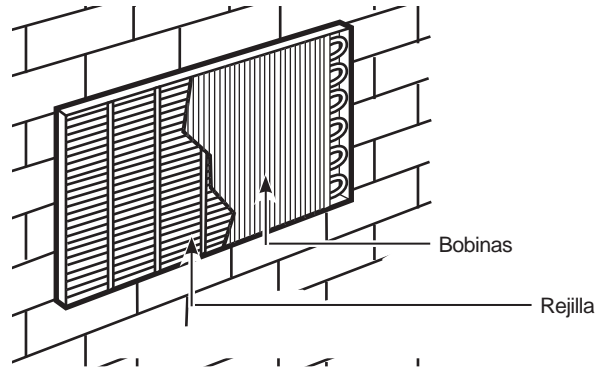
Tapa y Caja del Acondicionador de Aire de Pared

Apague el Zoneline y desconecte el suministro de corriente.

Para limpiar, use agua y un detergente suave. No use blanqueadores ni abrasivos. Algunos limpiadores comerciales pueden dañar las partes plásticas.

Bobinas Externas

Las bobinas del lado externo del Zoneline se deberán controlar de forma regular. Si están atascadas con tierra u hollín, deberán ser limpiadas a través de métodos con poca o sin presión. Asegúrese de que el área/ dispositivos eléctricos estén protegidos durante la limpieza. Deberá retirar la unidad de la manga de la pared para inspeccionar las bobinas. **La acumulación de suciedad se produce del lado donde se encuentra el ventilador en la bobina externa.**



Limpie las bobinas externas de forma regular.

La Bandeja de la Base

En algunas instalaciones, la tierra u otros desechos podrán ingresar a la unidad desde el exterior y asentarse en la bandeja de la base (la parte inferior de la unidad).

Controle la misma de forma periódica y límpiela si es necesario.

En algunas zonas de Estados Unidos, como naturalmente sucede, se podrá visualizar una sustancia "similar al gel" o "similar a la baba" en la bandeja de la base.

En los modelos de la Serie 4500, no retire el cable de goma del drenaje que se encuentra en la bandeja de la base.

Filtro de la Ventilación

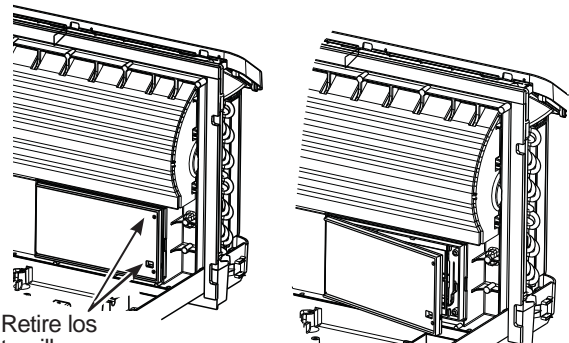
Si la puerta de la ventilación está abierta, limpie el filtro de la ventilación dos veces al año o cuando sea necesario. El acceso requiere el retiro de la unidad de la manga de la pared.

Apague el Zoneline y desenchufe el mismo antes de su retiro y limpieza.

Para limpiar el filtro de ventilación:

IMPORTANTE: El filtro no puede ser retirado. Intentar retirar este filtro dañará la unidad.

- Use una aspiradora para eliminar los desechos del filtro.
- Use un trapo húmedo para limpiar el filtro y el área circundante luego de usar la aspiradora.



Retire los tornillos enviados (si se desea esta operación)

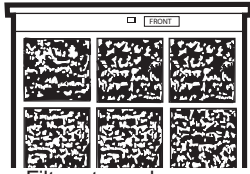
Cuidado y Limpieza

Para mantener un rendimiento óptimo, limpie los filtros por lo menos cada 30 días.

Filtros de Aire



Filtro sucio – Debe ser limpiado



Filtro atascado – Gran reducción de la refrigeración, calefacción y flujo de aire.

Apague el Zonline antes de limpiarlo.

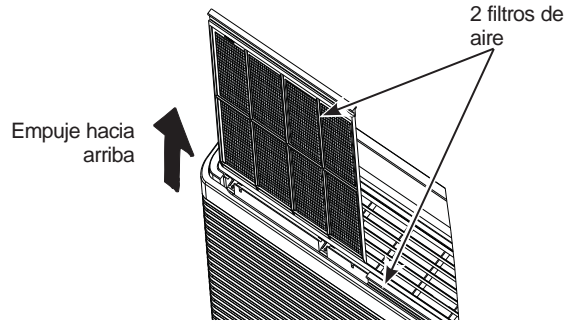
Lo más importante que puede hacer para mantener el Zonline en buenas condiciones es limpiar el filtro por lo menos cada 30 días. Los filtros atascados reducen la refrigeración, calefacción y flujo de aire.

Mantener estos filtros limpios hará que:

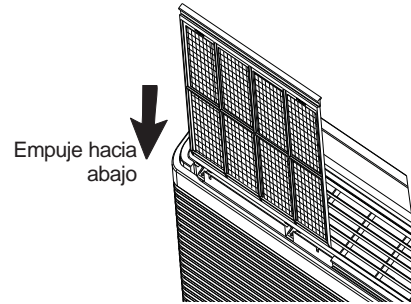
- Se reduzca el costo del funcionamiento.
- Se ahorre energía.
- Se prevenga el atascamiento de las bobinas intercambiables de calefacción.
- Se reduzca el riesgo de fallas prematuras de los componentes. Para limpiar los filtros de aire:
- Aspire la suciedad pesada.
- Deje correr agua a través de los filtros desde la parte trasera.
- Seque totalmente antes del reemplazo.

NOTA: Los filtros de aire son intercambiables y encajarán tanto del lado derecho como del izquierdo.

Para retirar los filtros de aire:



Para reemplazar los filtros de aire:



AVISO:

No utilice el Zonline si los filtros no están en sus posiciones correspondientes. Si un filtro se rasga o daña, deberá ser reemplazado de inmediato.

Realizar el uso sin los filtros en sus posiciones correspondientes o con daños permitirá que la tierra o el polvo lleguen a la bobina interna y reduzcan el nivel de refrigeración, calefacción, flujo y de aire y eficiencia de la unidad.

Filtros de reemplazo están disponibles a través de su vendedor, minorista de GE Appliances, GE Appliances Service and Parts Center (Centro de Servicio y Piezas de GE Appliances) o de proveedores del servicio de Customer Care®.

Instrucciones de Instalación

¿Preguntas? Llame al 844-GE4-PTAC (o al 844-434-7822) o Visite nuestro sitio Web en: GEAppliances.com

ANTES DE COMENZAR

Lea estas instrucciones en su totalidad y atentamente.

- **IMPORTANTE** – Conserve estas instrucciones para uso del inspector local.
- **IMPORTANTE** – Cumpla con todos los códigos y ordenanzas gubernamentales. .
- **Nota para el Instalador** – Asegúrese de que el propietario conserve estas instrucciones.
- **Nota para el Propietario** – Conserve estas instrucciones para referencia futura.
- La correcta instalación del producto es responsabilidad del instalador.
- Si se producen fallas en el producto debido a una instalación inadecuada, la Garantía no cubrirá las mismas.

PERÍODO DE PRUEBA DE UNCIÓNAMIENTO DEL ACONDICIONADOR DE AIRE

NOTA – Al igual que con cualquier dispositivo mecánico con partes móviles, esta unidad pasará por un período de acostumbamiento. LUEGO DE LA INSTALACIÓN, esta unidad deberá ser usada durante 48 horas para lograr el nivel de eficiencia máximo.

SEGURIDAD ELÉCTRICA IMPORTANTE - LEA ATENTAMENTE

⚠ PRECAUCIÓN

- Siga las instrucciones del National Electrical Code (Código de Electricidad Nacional) (NEC) o los códigos u ordenanzas locales.
- Para su seguridad personal, el acondicionador de aire Zonline debe tener una adecuada conexión a tierra.
- Los dispositivos de protección (fusibles o disyuntores) adecuados para las instalaciones de Zonline se encuentran especificados en la placa de cada unidad.
- No utilice un cable de extensión con esta unidad.
- El cableado de aluminio puede presentar problemas especiales: consulte a un electricista calificado.
- Cuando la unidad se encuentra en la posición OFF (apagado), todavía hay voltaje en los controles eléctricos.
- Antes de realizar reparaciones en la unidad, desconecte el suministro de energía de la siguiente manera:
 - 1 Retire el cable eléctrico (si posee uno) del receptáculo de la pared. O
 - 2 Retire los fusibles de la sección o apague el disyuntor desde el panel.

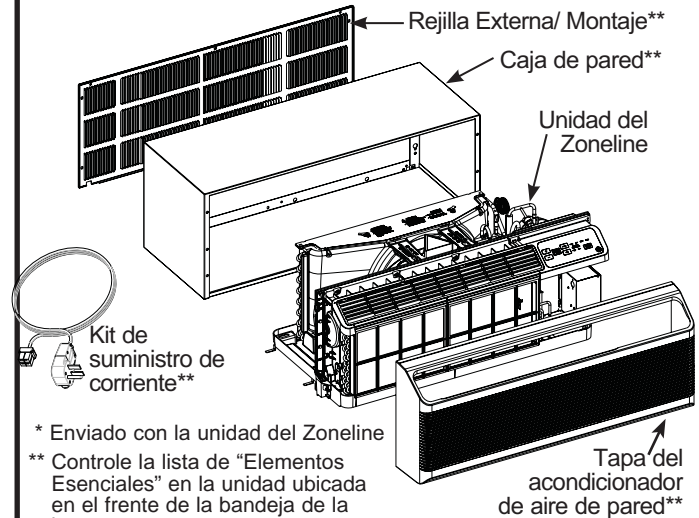
HERRAMIENTAS NECESARIAS



Destornillador Phillips y llave de tuercas de 5/16"

COMPONENTES DEL ZONELINE

El aspecto puede variar.

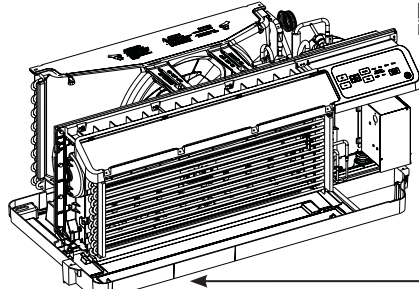


* Enviado con la unidad del Zonline

** Controle la lista de "Elementos Esenciales" en la unidad ubicada en el frente de la bandeja de la base.

Instrucciones de Instalación

REEMPLAZO DE LA UNIDAD EXISTENTE



Controle la etiqueta de "Elementos Esenciales" para acceder a información importante.

Use la caja de pared correcta

Esta unidad fue diseñada para ser instalada en la caja de la pared metálica de plástico o aislada de GE Appliances. Esto minimiza la formación de condensación del lado de la caja del acondicionador de aire de pared.

NOTA: Existen varios agujeros adicionales en las lengüetas laterales de la unidad para la instalación en otras cajas de pared que no sean de GE Appliances. A fin de evitar daños en la aislación de la pestaña, el instalador deberá usar un punzón u otra herramienta puntiaguda para perforar la aislación en los agujeros apropiados antes de instalar los tornillos de adhesión.

Use la rejilla externa adecuada

Deberá usar las rejillas externas mostradas en la etiqueta de "Elementos Esenciales" de la bandeja de la base.

- Si una rejilla existente no es reemplazada, la capacidad y eficiencia se verán reducidas y la unidad podrá no funcionar de forma adecuada o fallar de forma prematura. Un kit del deflector, RAK40, podrá ser usado con rejillas que no fueron diseñadas para su nuevo Zoneline de GE Appliances. El RAK40 contiene deflectores de aire y juntas que se montan a la unidad para alejar la salida del aire caliente de la entrada de aire, y permitir que la unidad funcione correctamente. **La rejilla debe contar con un área libre mínima de un 65 % (según lo calculado por ASHRAE).** Para acceder a información más detallada, consulte el Manual de Datos de Arquitectos e Ingenieros (Architects and Engineers Data Manual).
- Cualquier deflector vertical de una rejilla trasera existente de GE deberá ser retirada a fin de reducir la recirculación de aire del condensador que puede hacer que la unidad realice un "ciclo corto" y conducir a fallas prematuras de los componentes.

Use el cable de corriente adecuado

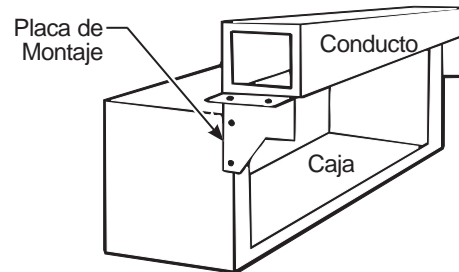
Los códigos requieren el uso de dispositivos de detección de fallas de arco o pérdidas de corriente en instalaciones de 230/208 voltios.

Reemplazo de una unidad con conducto

Nueva instalación con conducto: Si esta unidad será instalada en una nueva aplicación con conducto utilizando un kit de adaptador de conducto, el kit deberá ser instalado antes de que la unidad sea ubicada en una caja de pared. Siga las instrucciones de instalación incluidas con el kit.

Kits de conductos disponibles:

RAK6053
RAK601B/602B



Instalación con conducto existente:

El reemplazo de una unidad con conducto existente podrá requerir diferentes componentes. Solicite esta información a su representante de ventas. **Los sellos del conducto en la unidad existente deben ser retirados y agregados a la nueva unidad.**

• Reemplazo de las unidades de 230/208 voltios:

Consulte la página 18.

• Reemplazo de las unidades de 265 voltios:

Consulte la página 19.

Al usar un kit del conducto, siempre se debe usar el Modo 7 en ON (Encender) "□". Consulte las instrucciones de Modo en la página 9.

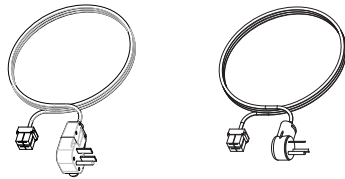


Modo de Conducto
Mostrado en ON
(Encendido)

OPCIONES DE CONEXIÓN ELÉCTRICA DE 230/208 VOLTIOS

CONEXIÓN DEL CABLE DE CORRIENTE

Dependiendo de la aplicación, un kit de suministro de corriente con LCDI deberá ser usado para suministrar corriente a la unidad del Zoneline. El kit apropiado es determinado por el voltaje, los medios de conexión eléctrica y el amperaje del circuito de empalmes.



Kit de suministro de corriente
(El aspecto puede variar)

Las conexiones de los circuitos de 208 o 230 voltios pueden estar con un kit de suministro de corriente o un kit de caja de empalmes.

Todo el cableado, incluyendo la instalación del receptáculo, deberá cumplir con el NEC y los códigos, ordenanzas y reglamentaciones locales. Los códigos requieren el uso de un dispositivo de detección de fallas de arco o pérdidas de corriente en el cable de corriente, excepto en contacto directo. Asegúrese de seleccionar el cable correcto para su instalación.



Tándem
15 amperes



Perpendicular
20 amperes



Tándem Grande
30 amperes

Configuración del receptáculo de 230/208 voltios

Calificación del Circuito de Empalmes y del Amperaje de la Unidad	Cable de Corriente de GE Adecuado con Dispositivo LCDI
15	RAK315P
20	RAK320P
30	RAK330P

Los cables de corriente pueden incluir un dispositivo de interrupción de fallas de arco o de detección de pérdidas de corriente. Se brinda un botón de evaluación y reinicio en la caja del enchufe o en la caja en línea. El dispositivo deberá ser evaluado de forma periódica, presionando primero el botón TEST (Evaluar) y luego RESET (Reinicio). Si el botón TEST (Evaluar) no se activa o el botón RESET (Reinicio) no permanece en su posición, deje de usar el Zoneline y comuníquese con un técnico calificado del servicio.

CONEXIÓN ELÉCTRICA DE SUB-BASE

Los modelos 230/208 podrán ser instalados usando una de las siguientes sub-bases eléctricas:

Calificación del Circuito de Empalmes y del Amperaje de la Unidad	Kit Adecuado de la Sub-base de GE
15	RAK204D15C
20	RAK204D20C
30	RAK204D30C

Las sub-bases eléctricas brindan un cerramiento para la conexión directa o receptáculos cerrados. El kit de sub-base incluye el cable de corriente.

Las instrucciones provistas con el kit de sub-base seleccionado se deben seguir de forma cuidadosa. Es responsabilidad del instalador asegurar que la conexión de los componentes sea realizada de acuerdo con estas instrucciones y siguiendo todos los códigos de electricidad.

Al usar una conexión eléctrica de subbase, la Caja de Empalmes RAK4002D será necesaria para una instalación completa y correcta.

CONEXIÓN DIRECTA

Ordene uno de los siguientes Kits para la conexión directa de 230/208 voltios según se requiera:

Calificación del Circuito de Empalmes y del Amperaje de la Unidad	Kit de suministro de corriente
15	RAK315D
20	RAK320D
30	RAK330D

Revise las instrucciones de instalación provistas con los kits de conexión directa para acceder a instrucciones de ensamble detalladas.

Al usar una conexión directa, la Caja de Empalmes RAK4002D será necesaria para una instalación completa y correcta.

Instrucciones de Instalación

OPCIONES DE CONEXIÓN ELÉCTRICA DE 265 VOLTIOS

ADVERTENCIA

La conexión de este producto de 265 voltios de CA a un circuito derivado DEBE realizarse mediante una conexión directa de acuerdo a las indicaciones del NEC. El código no permite enchufar esta unidad a una caja externa.

Estos modelos deben instalarse utilizando el kit de GE de suministro de energía adecuado para el amperaje de circuito derivado y el vatiaje deseado para el calefactor de resistencia eléctrica. Utilice la TABLA DE CONEXIONES ELÉCTRICAS en la página 18 para determinar cuál es el kit necesario. Debe utilizarse uno de los siguientes métodos de instalación.

A. PARA UNA INSTALACIÓN SUB-BASE

Kits de sub-base eléctricos están disponibles para brindar un cerramiento flexible para la conexión directa.

Calificación del Circuito de Empalmes y del Amperaje de la Unidad	Kit Adecuado de la Sub-base de GE
15	RAK204E15C
20	RAK204E20C
30	RAK204E30C

Las instrucciones provistas con el kit de sub-base seleccionado se deben seguir de forma cuidadosa. El kit de subbase incluye el kit de conexión eléctrica. Es responsabilidad del instalador asegurar que la conexión de los componentes sea realizada de acuerdo con estas instrucciones y siguiendo todos los códigos de electricidad.

B. PARA UNA INSTALACIÓN CON CONEXIÓN DIRECTA

Si no se utilizará una sub-base eléctrica, la conexión directa al cableado del circuito de empalmes dentro de la caja de empalmes provista deberá ser realizada de acuerdo con los siguientes pasos.

Ordene el siguiente Kit para la conexión directa de 265 voltios, según lo requerido:

Calificación del Circuito de Empalmes y del Amperaje de la Unidad	Kit de suministro de corriente
15	RAK515D
20	RAK520D
30	RAK530D

Revise las instrucciones de instalación provistas con el cable de corriente o con los kits de conexión directa para acceder a instrucciones detalladas sobre el ensamble.

Instrucciones de Instalación

CUADRO DE CONEXIÓN DE CORRIENTE

Conexiones del Cable de Corriente

Kits de Suministro de Corriente de 230/208 Voltios con Dispositivo de Detección de Pérdida de Corriente (1)	Configuración del Enchufe de Pared	Dispositivo de Protección del Circuito	Potencia Eléctrica del Calentador a 230/208 Voltios
RAK315P/SP RAK320P/SP RAK330P/SP	Tándem Perpendicular Tándem Grande	Fusible o Disyuntor con Tiempo de Retraso de 15 Amperes Fusible o Disyuntor con Tiempo de Retraso de 20 Amperes Fusible o Disyuntor con Tiempo de Retraso de 30 Amperes	2.40/1.96 KW 3.40/2.78 KW 4.80/3.93 KW (Ventilador Alto) 3.80/3.11 KW (Ventilador Bajo)

* Para una Instalación de Sub-base de 265V, siga la referencia de la Caja A, página 19 para el emparejamiento adecuado del Kit de Suministro de Corriente de la Sub-base.

Conexiones Directas

Kits de Suministro de Corriente de 230/208 Voltios (2)	Dispositivo de Protección del Circuito	Potencia Eléctrica del Calentador a 230/208 Voltios
RAK315D RAK320D RAK330D	Fusible o Disyuntor con Tiempo de Retraso de 15 Amperes Fusible o Disyuntor con Tiempo de Retraso de 20 Amperes Fusible o Disyuntor con Tiempo de Retraso de 30 Amperes	2.40/1.96 KW 3.40/2.78 KW 4.80/3.93 KW (Ventilador Alto) 3.80/3.11 KW (Ventilador Bajo)

Kits de Suministro de Corriente de 265 Voltios (3)	Dispositivo de Protección del Circuito	Potencia Eléctrica del Calentador a 265 Voltios
RAK515D RAK520D RAK530D	Fusible o Disyuntor con Tiempo de Retraso de 15 Amperes Fusible o Disyuntor con Tiempo de Retraso de 20 Amperes Fusible o Disyuntor con Tiempo de Retraso de 30 Amperes	2.40 KW 3.40 KW 4.80 KW (Ventilador Alto) 3.8 KW (Ventilador Bajo)

- (1) Kits ending in SP do not have an LCDI device are therefore can only be used in a sub-base. Se requiere una caja de empalmes con kits SP (se adquiere por separado).
- (2) Se requiere una caja de empalmes con estos kits (se adquiere por separado).
- (3) La caja de empalmes requerida se encuentra preinstalada en el chasis.

Instrucciones de Instalación

INSTALACIÓN DEL ZONELINE

1. INSTALE LA CAJA DE PARED Y LA PARRILLA EXTERNA

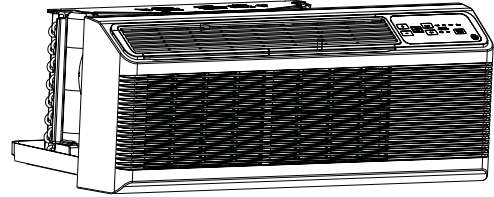
Las carcasas de pared de las series RAB 81/81B o RAB78 se deberán instalar de forma correcta de acuerdo con las instrucciones que figuran en la carcasa.

- Ensamble la carcasa de pared como se detalla en las instrucciones enviadas con la misma. Asegúrese de que todas las piezas calcen juntas de forma correcta.
- Adhiera el panel exterior a la parte trasera del ensamble como ayuda para sellar la edificación contra los factores climáticos.
- Instale, asegure y masille la manga.
- Cuando el chasis esté listo para su instalación, retire el panel exterior y luego instale y asegure la rejilla antes de instalar el chasis.
- Instale la rejilla exterior del lado de la sala siguiendo las instrucciones que figuran con la rejilla.

NOTA: Para la instalación con una subbase o un adaptador de conducto, consulte las instrucciones enviadas con estos kits.

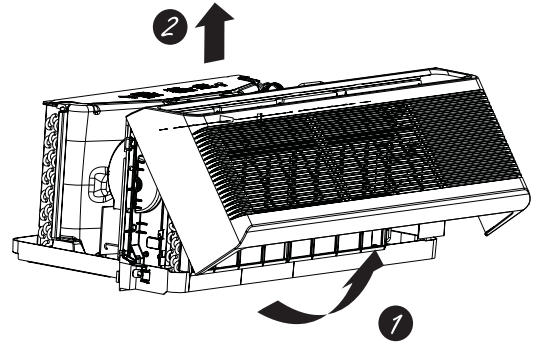
2. PREPARE LA UNIDAD

- Con cuidado, retire los bloques de gomaespuma del embalaje que se encuentran en el frente del acondicionador de aire de pared, del compresor y del ventilador externo. Es posible que haya varios bloques y cinta de piezas de embalaje que deban ser retiradas.

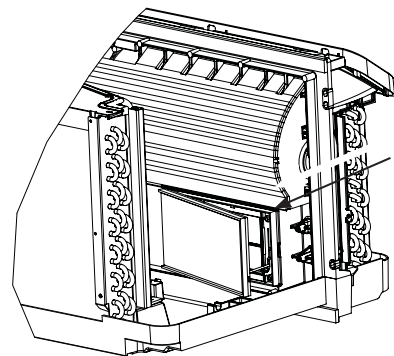


Cinta de embalaje
(las ubicaciones
pueden variar)

- Retire la tapa del acondicionador de aire de pared, empujando hacia afuera en la parte inferior para liberarlo (1); luego levante el mismo para despejar el riel a lo largo de la parte superior de la unidad (2).



- Si la puerta de la ventilación quedará funcional, retire los tornillos enviados del lado frontal de la puerta de ventilación, si está presente.



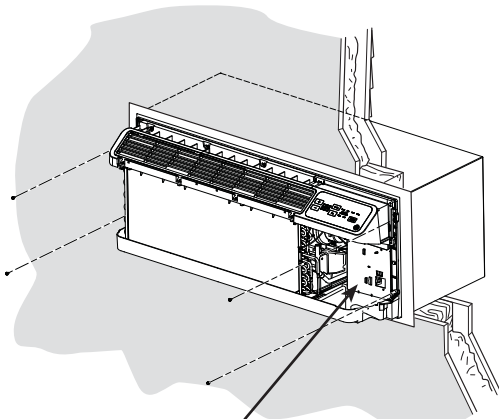
Retire los
tornillos
enviados (si
se desea esta
operación)

INSTALACIÓN DEL ZONELINE (CONT.)

3. INSTALE LA UNIDAD EN LA CAJA DE PARED

Deslice la unidad en la caja de pared y asegure la misma con cuatro tornillos a través de los agujeros de la lengüeta de la unidad.

Los cuatro tornillos estarán ubicados en una bolsa sellada que está apoyada debajo del panel de control, sobre el bolsillo de la bandeja de la base.

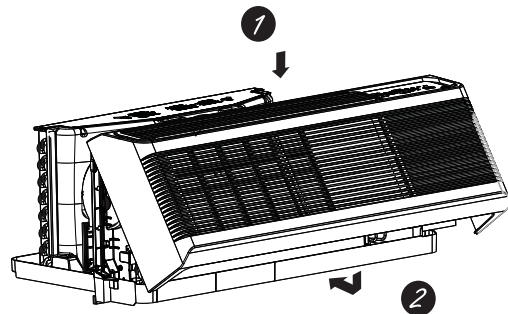


Los cuatro tornillos de la caja de pared estarán encintados al bolsillo, frente a la caja de control.

NOTA: Existen varios agujeros adicionales en las lengüetas laterales de la unidad para la instalación en otras cajas de pared que no sean de GE Appliances. A fin de evitar daños en la aislación de la pestaña, el instalador deberá usar un punzón u otra herramienta puntiaguda para perforar la aislación en los agujeros apropiados antes de instalar los tornillos de adhesión.

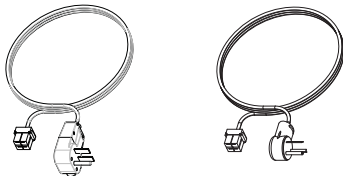
5. REEMPLACE EL FRENTE DEL ACONDICIONADOR DE AIRE DE PARED

Reinstale la tapa del acondicionador de aire de pared, alineando y colocando el riel superior de la tapa del acondicionador de aire de pared sobre el chasis (1), y luego empujando el mismo en la parte inferior (2).



4. CONECTE EL CABLE DE CORRIENTE O EL KIT DE CONEXIÓN DIRECTA

Revise las instrucciones de instalación provistas con el cable de corriente o con los kits de conexión directa para acceder a instrucciones detalladas sobre el ensamble.



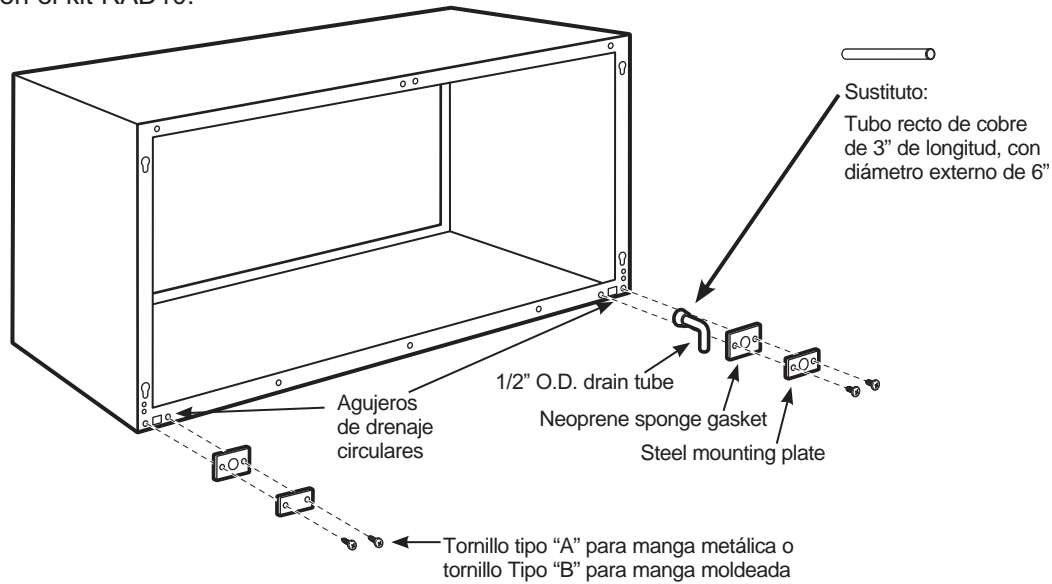
Kit de suministro de corriente (el aspecto puede variar)

Instrucciones de Instalación

OPCIONAL – INSTALACIÓN DEL KIT DE DRENAJE

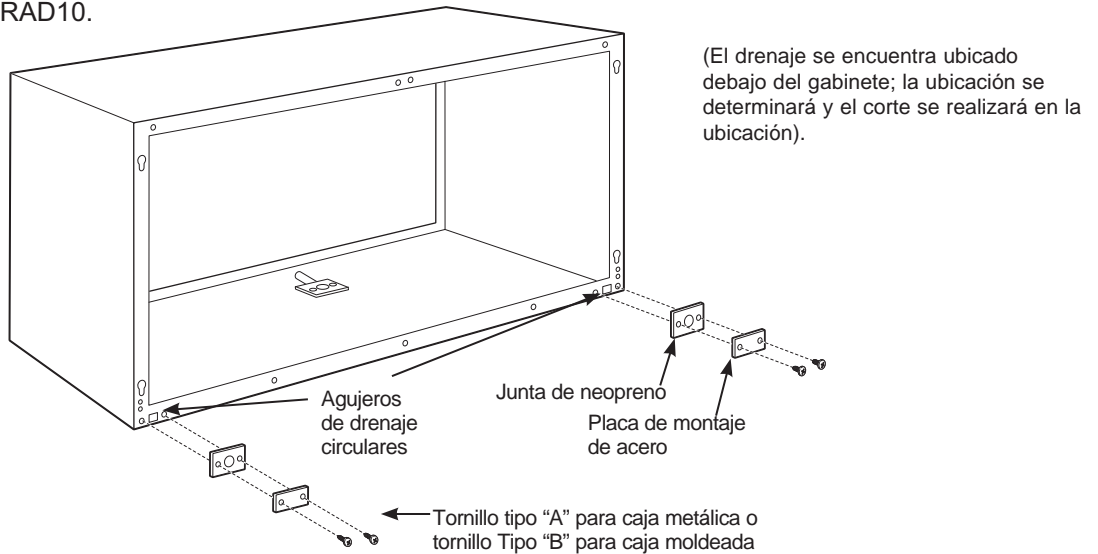
Drenaje Externo

Consulte las Instrucciones de Instalación en el kit RAD10.



Drenaje Interno

Consulte las Instrucciones de Instalación en el kit RAD10.



Consejos para la Solución de Problemas... Antes de solicitar el servicio técnico

¡Ahorre tiempo y dinero! Primero revise los cuadros que aparecen en las siguientes páginas y es posible que no necesite solicitar reparaciones.

Problema	Causa Posible	Qué Hacer
El Zoneline no se inicia.	La unidad está desenchufada.	Asegúrese de que el enchufe del Zoneline esté completamente enchufado en el tomacorriente.
	El cable de corriente no está conectado de manera firme.	Retire la tapa del acondicionador de aire de pared y asegúrese de que el conector negro del extremo del cable de corriente esté conectado de manera firme.
	Se quemó el fusible/ el disyuntor está activado	Controle la caja de fusibles/ disyuntor de su hogar y reemplace el fusible o reinicie el disyuntor.
	La unidad está esperando a que el protector de sobrecarga del compresor se reinicie.	Esto es normal. El Zoneline empezará a funcionar nuevamente luego de reiniciarse.
	Corte de Corriente.	Hay un retraso de tiempo por protección (aproximadamente 3 minutos) a fin de evitar activaciones en la sobrecarga del compresor. Por esta razón, es posible que la unidad no comience a calefaccionar o refrigerar de forma normal por 3 minutos luego de haber sido conectada nuevamente.
	El interruptor del cable de corriente eléctrica está activado.	Presione el botón RESET (Reiniciar) ubicado en el enchufe del cable de corriente o en la caja cerca del enchufe. Si el botón RESET (Reiniciar) no permanece conectado, interrumpa el uso del Zoneline y comuníquese con un técnico calificado del servicio.
El Zoneline no enfría ni calienta como debería.	El flujo de aire está obstruido.	Asegúrese que no haya cortinas, persianas ni muebles que bloqueen la parte frontal del Zoneline.
	El flujo de aire externo está restringido o se lo hace circular nuevamente.	Asegúrese de que la parrilla trasera no esté restringida. Esto puede hacer que la unidad deje de realizar ciclos, debido al protector de sobrecarga del compresor. La rejilla externa debe contar con un área libre mínima del 65%. Las rejillas que no sean de GE Appliances podrán restringir el funcionamiento adecuado. Consulte a su vendedor para solicitar asistencia.
	Es posible que el control de temperatura no esté correctamente configurado.	Cambia el control a una configuración más baja o más alta. NOTA: La función del limitador de temperatura podrá estar restringiendo el rango de temperatura.
	El filtro de aire está sucio.	Limpie o cambie el filtro por lo menos cada 30 días Consulte la sección de Instrucciones de Funcionamiento.
	El aire externo está entrando a la habitación.	Configure el control de ventilación en la posición cerrada. NOTA: Las unidades equipadas con ventilación de reposición permitirán la entrada de cierta cantidad de aire externo de forma continua en la habitación.
Olor a quemado al iniciar el funcionamiento de la calefacción.	Polvo en la superficie de los elementos de calefacción.	Esto puede generar un olor "a quemado" cuando se inicie el funcionamiento de la calefacción. Deberá desaparecer rápidamente.

Consejos para la Solución de Problemas... Antes de solicitar el servicio técnico

¡Ahorre tiempo y dinero! Primero revise los cuadros que aparecen en las siguientes páginas y es posible que no necesite solicitar reparaciones.

Problema	Causa Posible	Qué Hacer
El aire no siempre está fresco o caliente durante el funcionamiento.	La bomba de calor no está produciendo aire caliente.	Esto es normal. La bomba de calor producirá aire caliente pero no tan caliente como el aire producido cuando el calor eléctrico de más alto costo sea usado.
	Los Controles Auxiliares del Smart Fan (Ventilador Inteligente) pueden ser configurados en ventilación continua.	Esto hace que el ventilador produzca aire a temperatura ambiente, incluso cuando el compresor o el calentador dejen de realizar ciclos. El movimiento continuo del aire brinda un mejor control general de la temperatura en el modo para refrescar. Consulte Refrescar/ Calefaccionar con el Smart Fan (Ventilador Inteligente) en la página 7.
El aire no se siente lo suficientemente caliente durante el funcionamiento de la calefacción.	La bomba de calor sola produce aire que se siente más frío que lo deseado.	Use la Opción de Calefacción Eléctrica. Esto apaga la bomba de calor y calienta con calefacción eléctrica únicamente. NOTA: El uso de esta opción resultará en un mayor consumo de energía.
La unidad no produce aire.	El Control Auxiliar del Smart Fan (Ventilador Inteligente) puede ser configurado en ciclos.	Consulte Refrescar/ Calefaccionar con el Smart Fan (Ventilador Inteligente) en la página 7.
Las funciones de calefacción eléctrica y ventilador no funcionan.	El cable de corriente no está conectado de manera firme.	Retire la tapa del acondicionador de aire de pared y asegúrese de que el conector negro del extremo del cable de corriente esté conectado de manera firme.
La pantalla de temperatura titila.	El panel de control se encuentra bloqueado.	Mantenga presionado el botón DISPLAY Show/Hide (Mostrar/Ocultar Pantalla) durante más de 10 segundos para desbloquear la pantalla. Lea la sección de Bloqueo del Control en la página 5.
La unidad no funciona luego de reinstalar el Termostato de la Pared Remota.	El modo 6 auxiliar no está configurado correctamente.	Controle el modo 6 auxiliar para asegurarse de que el interruptor esté "activado" para el Termostato Remoto; consulte la página 9.
	Las conexiones del termostato de la unidad son incorrectos.	Verifique que el cableado del TStat de la Pared Remota sea el correcto al conector del termostato de la unidad.
	El transformador de bajo voltaje se reinicia o inicia en corto.	Para reiniciar el transformador de bajo voltaje, desenchufe la unidad de la corriente, espere unos 5 minutos, y luego vuelva a enchufar la unidad.
La bomba de calefacción funciona con calor electrónico sólo durante la calefacción.	El Modo Aux. 6 no está correctamente configurado.	Controle que el Modo Aux. 6 se encuentre configurado para el termostato de pared remoto apropiado, ya sea "H" para termostatos con cambio manual cuando se seleccione refrigeración o calefacción o "A" para "Cambio Automático", consulte la página 7.
	El Modo Aux. 8 no está correctamente configurado.	Controle el Modo Aux. 8 y asegúrese de que la palanca esté en "off" (apagada) para el funcionamiento de la bomba de calor; consulte la página 9.
El indicador LED de la luz UVC no está iluminado	El Modo Aux. C no se configuró de forma correcta	Controle el Modo Aux. C para asegurarse de que la palanca está en "ON" (apagada) para el funcionamiento de la luz UVC; consulte la página 12
	El ventilador interior no está activado	La luz UVC fue diseñada para funcionar sólo mientras el ventilador interior está en funcionamiento. Consulte el Modo 1 con Ventilador Inteligente en la página 4 para modificar la configuraciones del ventilador.

Sonidos de Funcionamiento Normal

¡Ping! ¡Pop!



Es posible que escuche un sonido de ¡ping! ocasionado por el agua recogida y arrojada contra el condensador en días lluviosos o cuando el nivel de humedad sea alto. Esta función ayuda a eliminar la humedad y mejorar el nivel de eficiencia.

“CLICK”

Es posible que escuche sonidos de clic del relé cuando se realice el ciclo de encendido y apagado de los controles o cuando sean ajustados para cambiar la temperatura del ambiente.

GOTEO



Se acumulará agua en la bandeja de la base cuando el nivel de humedad sea alto o en días lluviosos. Es posible que el agua se desborde y gotee desde el lado externo de la unidad.

WHIR!



El ventilador interno funciona de forma continua cuando la unidad está operando el modo para refrescar, a menos que el Control Auxiliar del Smart Fan (Ventilador Inteligente) esté configurado en la función de ciclos. La selección del ciclo hará que el ventilador realice ciclos de encendido y apagado con el compresor. Es posible que también escuche el ruido de un ventilador que se detiene y se inicia.

Hay momentos en que el ventilador de la unidad funcionará de forma pareja cuando la unidad no esté calentando ni refrescando. Si el sistema es configurado para funcionar con ventilador continuo, el ventilador interno funcionará sin importar que la unidad esté regresando o calefaccionando. Otras veces, el ventilador funcionará por más tiempo que el ciclo de calefacción/ refrigeración o se iniciará ocasionalmente. Esto es normal y es realizado para mejorar el confort y balance del ambiente.

Si la unidad está equipada con un sistema de ventilación de aire de reposición, algunos ventiladores funcionarán de forma continua.

La unidad de aire de reposición digital realizará un control del sistema sobre el encendido, sobre el ciclo de corriente, y una vez cada 7 días si la unidad se encuentra en el modo de ocupación. El control del sistema dura aproximadamente 45 segundos. Durante este tiempo, los ventiladores de aire de reposición se acelerarán, reducirán su velocidad, y luego irán al punto de configuración.

Retraso de 3 Minutos



Es posible que note algunos minutos de retraso en el inicio, si intenta reiniciar el Zoneline demasiado pronto luego de apagarlo o si ajusta el termostato junto después de apagar el compresor. Esto se debe a que un protector de reinicio incorporado para el compresor genera un retraso de 3 minutos.

SILENCIO

Durante el ciclo de descongelación, tanto el ventilador interno como el externo se detendrán y el compresor funcionará en el modo de refrigeración para eliminar escarcha de la bobina externa. Luego de la descongelación, la unidad se reiniciará en el modo de calefacción eléctrica para calentar de forma rápida la habitación en el nivel de confort deseado.

PROTECCIÓN DEL COMPRESOR

Para proteger el compresor y evitar ciclos cortos, la unidad fue diseñada para funcionar durante un mínimo de 3 minutos luego de que el compresor se inicie en cualquier configuración del termostato.

NOTA **Nota**

Garantía del Zoneline de GE Appliances

Todo el servicio de garantía es provisto por nuestros Centros de Servicio de Fabricación, o un técnico autorizado del Servicio al Cliente (Customer Care®). Para programar una visita del servicio técnico a través de Internet, visítenos en GEAppliances.com, o llámenos al 844. GE4.PTAC (o 844.434.7822). Para obtener servicio en Canadá, comuníquese con el distribuidor donde la unidad fue adquirida. Cuando llame para solicitar el servicio, tenga los números de serie y modelo disponibles.

Por el Período de:	GE Appliances Reemplazará:
Un Año <i>Desde la fecha de compra original</i>	Cualquier parte del acondicionador de aire que falle debido a un defecto en los materiales o la fabricación. Durante esta garantía limitada de un año , GE Appliances proveerá, sin costo , todo el trabajo y los costos del servicio relacionados con el reemplazo de la pieza que presente defectos.
Cinco Años <i>Desde la fecha de compra original</i>	El Sistema de Refrigeración Sellado , si cualquier pieza del sistema de refrigeración sellado (el compresor, condensador, evaporador y todas las cañerías de conexión, incluyendo el sistema de aire de reposición) falla debido a un defecto en los materiales o la fabricación. Durante esta garantía limitada de cinco años , GE Appliances proveerá, sin costo , todo el trabajo y los costos del servicio relacionados con el reemplazo de la pieza que presente defectos.
El Segundo al Quinto Años <i>Desde la fecha de compra original</i>	Motores de Ventiladores, Interruptores, Termostato, Calentador, Protectores del Calentador, Sobrecarga del Compresor, Solenoides, Tableros de Circuitos, Controles Auxiliares, Termistores, Centinela de Refrigeración, Controles de Congelamiento, Bomba ICR, Capacitores, Varistores, Cojinetes del Ventilador Interno , si cualquiera de estas piezas falla debido a un defecto en los materiales o la fabricación. Durante esta garantía limitada adicional de cuatro años , el cliente será responsable por cualquier trabajo o costos relacionados con el servicio técnico.

Qué No Cubrirá GE Appliances:

- Viajes del técnico del servicio a su hogar para enseñarle sobre el uso del producto.
- Instalación, entrega o mantenimiento inadecuados.
Si tiene un problema de instalación o el aire acondicionado no posee la capacidad de refrigeración adecuada con relación al uso deseado, contacte a su vendedor minorista o instalador. Usted es responsable de brindar instalaciones de conexión eléctrica adecuadas.
- En ubicaciones comerciales, el trabajo necesario para trasladar la unidad a una ubicación donde esté accesible para que un técnico pueda brindarle el servicio.
- Fallas o daños que resulten de la corrosión debido a la instalación en un ambiente donde haya químicos corrosivos.
- Reemplazo de fusibles o reinicio de disyuntores.
- Falla del producto como resultado de modificaciones en el mismo o debido a un uso irrazonable, incluyendo la falta de mantenimiento razonable o necesario.
- Fallas o daños como resultado de la corrosión, debido a instalaciones en ambientes costeros, excepto los modelos tratados con protección anticorrosiva con aplicación especial de fábrica, de acuerdo con lo designado en el número de modelo.
- Daños sobre el producto ocasionados por un nivel de suministro de voltaje inadecuado, accidente, incendio, inundaciones o catástrofes naturales.
- Daños consecuentes o incidentales sobre la propiedad personal causados por posibles defectos del acondicionador de aire.
- Daño causado luego de la entrega.
- Producto no accesible para brindar el servicio requerido.

EXCLUSIÓN DE GARANTÍAS IMPLÍCITAS—Su única y exclusiva alternativa es la reparación del producto, como se indica en la Garantía Limitada. Las garantías implícitas, incluyendo garantías implícitas de comerciabilidad o conveniencia sobre un propósito particular, se limitan a un año o al período más corto permitido por la ley.

Esta garantía se extiende al comprador original y a cualquier dueño subsiguiente de productos comprados para uso hogareño dentro de EE.UU y Canadá. Si el producto está ubicado en un área donde no se encuentra disponible un Proveedor Autorizado del Servicio Técnico de GE Appliances, usted será responsable por el costo de un viaje o se podrá requerir que traiga el producto a una ubicación del Servicio Técnico de GE Appliances Autorizado para recibir el servicio. En Alaska, la garantía excluye el costo de envío o llamadas del servicio a su hogar.

Algunos estados o provincias no permiten la exclusión o limitación de daños fortuitos o consecuentes. Esta garantía le da derechos legales específicos, y es posible que tenga otros derechos legales que varían entre un estado y otro, o entre una provincia y otra. Para conocer cuáles son sus derechos legales, consulte a la oficina de asuntos del consumidor local, estatal o provincial o al Fiscal de su estado.

Garante : GE Appliances, a Haier company

Soporte al Cliente

GE Appliances Sitio Web

¿Desea realizar una consulta o necesita ayuda con su electrodoméstico? ¡Intente a través del Sitio Web de Electrodomésticos de GE Appliances las 24 horas del día, cualquier día del año! Usted también puede comprar más grandiosos productos de GE Appliances y sacar ventaja de todos nuestros servicios a través de Internet diseñados para su conveniencia. En EE.UU.: GEAppliances.com

Registre su Electrodoméstico

¡Registre su electrodoméstico nuevo a través de Internet, según su conveniencia! Un registro puntual de su producto permitirá una mejor comunicación y un servicio más puntual de acuerdo con los términos de su garantía, en caso de surgir la necesidad. También puede enviar una carta en la tarjeta de inscripción pre-impresa que se incluye con el material embalado. En EE.UU.: GEAppliances.com/register

Servicio Programado

El servicio de reparación de expertos de GE Appliances está a sólo un paso de su puerta. ¡Conéctese a través de Internet y programe su servicio a su conveniencia cualquier día del año! En EE.UU.: GEAppliances.com/ge/service-and-support/service.htm o llame al 844.GE4.PTAC (844.434.7822) durante el horario comercial habitual. Para obtener servicio en Canadá, comuníquese con su distribuidor.

Garantías Extendidas

Adquiera una garantía extendida de GE Appliances y aprenda sobre descuentos especiales que están disponibles mientras su garantía aún está vigente. La puede adquirir en cualquier momento a través de Internet. Los Servicios de GE Appliances aún estarán allí cuando su garantía caduque. En EE.UU.: GEAppliances.com/ge/service-and-support/shop-for-extended-service-plans.htm o llame al 800.626.2224 durante el horario comercial habitual.

Conectividad Remota

Para solicitar asistencia con la conectividad de red inalámbrica (para modelos con activación remota), visite nuestro sitio Web en GEAppliances.com/ge/connected-appliances/ o llame al 800.220.6899 en EE.UU.

Piezas y Accesorios

Individuos calificados para realizar el servicio técnico de sus propios electrodomésticos podrán solicitar el envío de piezas o accesorios directamente a sus hogares (se aceptan las tarjetas VISA, MasterCard y Discover). Ordene a través de Internet hoy durante las 24 horas del día. En EE.UU.: GEApplianceparts.com o por teléfono al 877.959.8688 durante el horario comercial habitual.

Las instrucciones que figuran en este manual cubren los procedimientos que serán realizados por cualquier usuario. Otros servicios técnicos generalmente deberían ser derivados a personal calificado del servicio. Se deberá tener cuidado, ya que una reparación indebida podrá ocasionar que el funcionamiento no sea seguro.

Contáctenos

Si no se encuentra satisfecho con el servicio que recibió de GE Appliances, comuníquese con nosotros a través de nuestro sitio Web con todos los detalles, incluyendo su número telefónico, o escriba a:

En EE.UU.: General Manager, Customer Relations | GE Appliances, Appliance Park | Louisville, KY 40225 GEAppliances.com/ge/service-and-support/contact.htm