

# Assembly Instructions: 1096-S

## IMPORTANT:

- ALL INSTALLATION WORK SHOULD BE DONE BY ACCREDITED PROFESSIONAL.
- SHUT OFF POWER SUPPLY AT FUSE OR CIRCUIT BREAKER!
- USE ONLY THE SPECIFIED BULBS. DO NOT EXCEED THE MAXIMUM WATTAGE!

**For Customer Service, contact the place of purchase to arrange for replacement parts.**

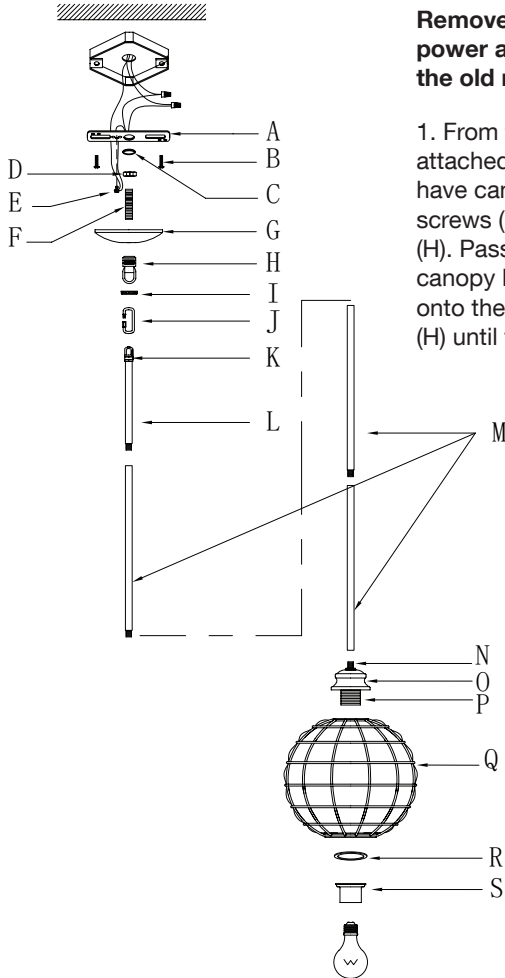
## PREPARING FOR INSTALLATION

**Remove all of the contents from the carton. See the important notes above. Shut off the power at the circuit breaker and completely remove the old fixture from the wall, including the old mounting strap.**

1. From the parts bag remove the mounting strap (A) assembly. One end of nipple (F) should be attached to mounting strap (A) with washer (C) and hex nut (D) in place. The other end should have canopy loop (H) attached. Attach mounting strap (A) to the junction box using mounting screws (B) and a screwdriver. Tighten securely. Unscrew canopy loop collar (I) from canopy loop (H). Pass canopy (G) over the mounted canopy loop to test the height. Approximately half of the canopy loop's exterior threads should be exposed, and the canopy loop collar should fit snugly onto the canopy loop. Remove canopy (G) and adjust the height of nipple (F) and canopy loop (H) until the desired height is reached.

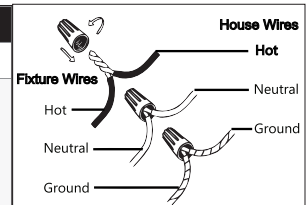
## ASSEMBLING THE FIXTURE

2. Measure to determine the correct of the number of rods (L and M) needed for proper hanging height. Pull the fixture wires from nipple (N). Carefully feed the wires through the desired rods (L and M) and thread together to connect rods. Pull the wires until taut. Secure the rods to the fixture by threading the first rod (M) onto nipple (N). Feed the wires through small loop (K). Attach the end of the rods to small loop (K). Carefully pull out the wires from the rods until taut. Feed the remaining fixture wire through chain link (J), up canopy loop collar (I), canopy loop (H), canopy (G), and nipple (F). Connect the chain link with connector (J) to small loop (K) on the rods and canopy loop (H). Close the chain link connect to secure. Trim excess wires leaving about 8 to 10 inches for later.



### How to Identify the Fixture's Wires

| Hot                | Neutral            | Ground                                   |
|--------------------|--------------------|--|
| Smooth             | Ribbed             | Bare Metal, Green, or Green Inner Thread |
| Black              | White              |  |
| Black Inner Thread | White Inner Thread |  |



## CONNECTING THE WIRES

3. Have an assistant support the fixture's weight while completing the wiring. Refer to the wiring diagram and attach the fixture's wires to the power supply wires from the junction box. Connect Hot to Hot (transparent wire with black inner thread, black, or smooth wire) Neutral to Neutral (transparent wire with white inner thread, white, or ribbed wire), and Ground to Ground (transparent wire with green inner thread, green wire, or copper). Twist the ends of the wire pairs together, and then twist on a wire connector. Make sure all twists are in the same direction. If there is no house ground wire coming from the junction box, locate ground screw (E) on the mounting bracket/mounting strap and wrap the fixture's ground wire around the ground screw. Use a screwdriver to tighten the top of ground screw (E) onto the wires and into the mounting bracket/mounting strap. Tuck the wires into the junction box.

## FINISHING THE INSTALLATION

4. Attach glass shade (Q) to cap (O) by lifting the glass shade (Q) over the socket (P). Secure glass shade (Q) socket ring (R) and socket cover (S), in the order shown on the above diagram. Raise canopy (G) up to the ceiling and slide canopy loop collar (I) up beneath the canopy (G) and tightly thread canopy loop collar (I) onto canopy loop (H) to secure canopy (G) in place until snug against the ceiling.

Install light bulbs (not included) into the socket in accordance with the fixture's specifications. Do not exceed the maximum recommended wattage. Your installation is now complete. Turn on the power and test the fixture.

## CLEANING TIPS

Treat the fixture gently! Regular cleaning will reduce the need for deep cleaning. For regular cleaning, turn off the light and wipe down the fixture with a clean lint-free cotton or microfiber cloth. Never spray cleaner directly onto the fixture.