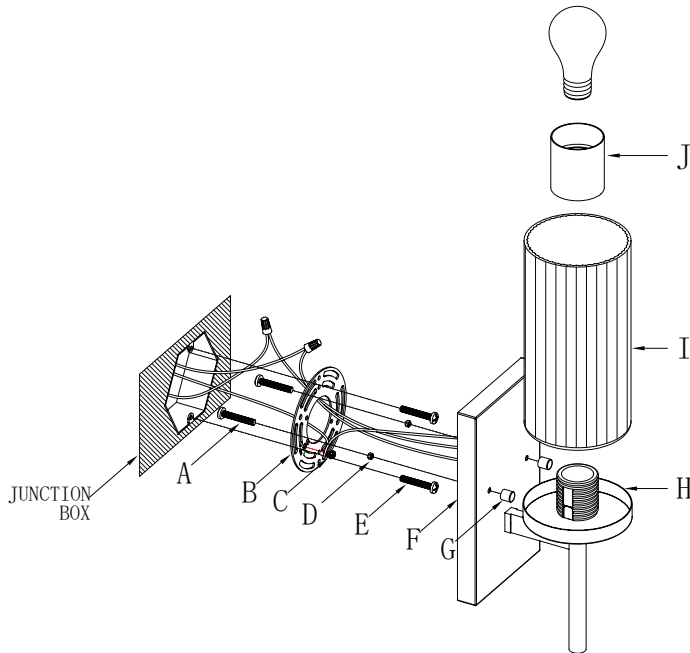


Assembly Instructions: 7011-1W (Winslett)

IMPORTANT:

- ALL INSTALLATION WORK SHOULD BE DONE BY ACCREDITED PROFESSIONAL.
- SHUT OFF POWER SUPPLY AT FUSE OR CIRCUIT BREAKER!
- USE ONLY THE SPECIFIED BULBS. DO NOT EXCEED THE MAXIMUM WATTAGE!

For Customer Service, please contact the place of purchase.



PREPARING FOR INSTALLATION

Remove all of the contents from the carton. See the important notes above. Shut off the power at the circuit breaker and completely remove the old fixture from the wall, including the old mounting strap.

1. Mounting strap (B) contains several pairs of threaded holes and two sets of mounting screws (A & E). If the mounting strap (B) is attached to backplate (F), remove deco nuts (G) to detach. Find the pair of holes in the mounting strap (B) that match the spacing of the holes on the junction box and your fixture's backplate. Test backplate (F) on mounting strap (B) to ensure that the backplate will hang straight and enough of the threads of mounting screws (A) will be exposed for deco nuts (G) to fit. Secure mounting screws (A) by tightening hex nuts (D) to hold these screws in place. Place the backplate aside for later.

2. Place mounting strap (B) over the junction box so that mounting screws (E) may be inserted. Secure mounting strap (B) to the junction box with mounting screws (E) and a screwdriver. Tighten the screws securely. Pull the house wires through the center of mounting strap (B).

CONNECTING THE WIRES

3. Attach the fixture's wires to the power supply wires from the junction box. Connect black to black (or smooth); white to white (or ribbed); ground to ground (green or copper). Twist the ends of the wire pairs together, then twist on a wire connector. Make sure all twists are in the same direction. If there is no ground wire (green or copper) from the junction box, locate ground screw (C) on mounting strap (B) and wrap the fixture's ground wire around the green ground screw (C). Use a screwdriver to secure ground screw (C) onto the mounting bracket. Tuck all wires neatly into the junction box.

How to Identify the Fixture's Wires		
Hot	Neutral	Ground
Smooth	Ribbed	Bare Metal, Green, or Green Inner Thread
Black	White	
Black Inner Thread	White Inner Thread	

FINISHING THE INSTALLATION

4. Place the fixture's backplate (F) over mounting strap (B) so that the holes in mounting strap (B) line up with the holes in backplate (F).
5. Thread deco nuts (G) onto the exposed threads of the mounting screws (A) until the backplate (F) is snug against the wall.
6. Slide the glass shade (I) over socket (H) and secure the glass shade to the fixture with socket cap (J).

Install a light bulb (not provided) based on the fixture's specifications. Do not exceed the maximum wattage.

Your installation is complete. Turn on the power and test the fixture.

CLEANING TIPS

Treat the fixture gently! Regular cleaning will reduce the need for deep cleaning. For regular cleaning, turn off the light and wipe down the fixture with a clean lint-free cotton or microfiber cloth. Never spray cleaner directly onto the fixture.