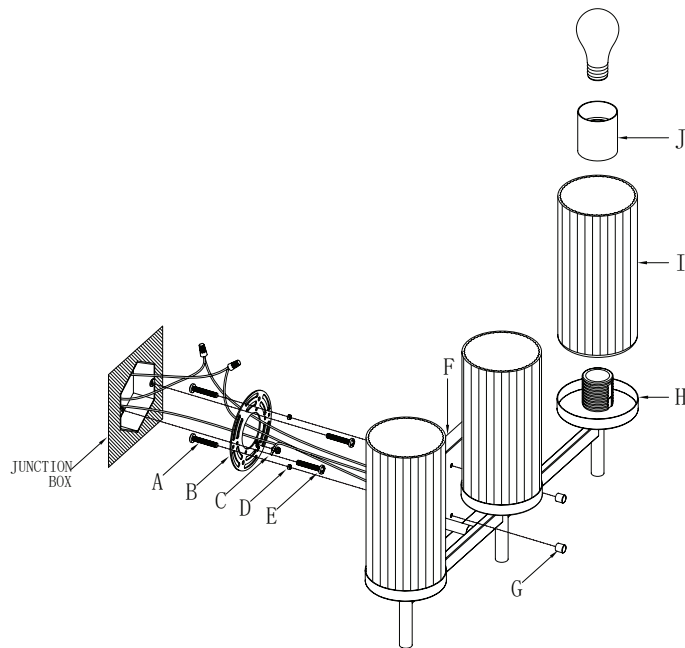


Assembly Instructions: 7011-BA3 (Winslett)

IMPORTANT:

- ALL INSTALLATION WORK SHOULD BE DONE BY ACCREDITED PROFESSIONAL.
- SHUT OFF POWER SUPPLY AT FUSE OR CIRCUIT BREAKER!
- USE ONLY THE SPECIFIED BULBS. DO NOT EXCEED THE MAXIMUM WATTAGE!

For Customer Service, please contact the place of purchase.



PREPARING FOR INSTALLATION

Remove all of the contents from the carton. See the important notes above. Shut off the power at the circuit breaker and completely remove the old fixture from the wall, including the old mounting strap.

1. Mounting strap (B) contains several pairs of threaded holes and two sets of mounting screws (A & E). You may need to tighten hex nuts (D) to hold the mounting screws (A) in place.

2. Place mounting strap (B) up to your junction box. Place backplate (F) over the mounting strap lining up mounting screws (A) with the holes in backplate (F). This will allow you to ensure that you are hanging the fixture straight.

3. Pull the house wires through the center of mounting strap (B). Secure mounting strap (B) to the junction box with mounting screws (E) and a screwdriver. Tighten the screws securely.

CONNECTING THE WIRES

4. Attach the fixture's wires to the power supply wires from the junction box. Connect black to black (or smooth); white to white (or ribbed); ground to ground (green or copper). Twist the ends of the wire pairs together, then twist on a wire connector. Make sure all twists are in the same direction. If there is no ground wire (green or copper) from the junction box, locate ground screw (C) on mounting strap (B) and wrap the fixture's ground wire around the green ground screw (C). Use a screwdriver to secure ground screw (C) onto the mounting bracket. Tuck all wires neatly into the junction box.

How to Identify the Fixture's Wires		
Hot	Neutral	Ground
Smooth	Ribbed	Bare Metal, Green, or Green Inner Thread
Black	White	
Black Inner Thread	White Inner Thread	

FINISHING THE INSTALLATION

5. Place backplate (F) over mounting strap (B) so that mounting screws (A) protrude through the holes in backplate (F). Secure the backplate to the mounting strap with decorative nuts (G). Twist until the backplate of the fixture is snug against the wall.

6. Slide glass shades (I) over the socket (H) and secure in place with socket cap (J).

Install light bulbs (not included) in accordance with the fixture's specifications. Do not exceed the maximum recommended wattage.

Your installation is now complete. Turn on the power and test the fixture.

CLEANING TIPS

Treat the fixture gently! Regular cleaning will reduce the need for deep cleaning. For regular cleaning, turn off the light and wipe down the fixture with a clean lint-free cotton or microfiber cloth. Never spray cleaner directly onto the fixture.