

# PARTS & ASSEMBLY SHEET

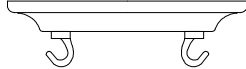
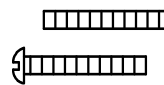




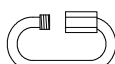

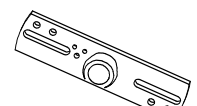

Fixture Name: **Mayfair 7116-10 LC**

This fixture assembled PO: \_\_\_\_\_ Date: \_\_\_\_\_

**Notice:** Please review the parts listing and check for all parts before assembling the fixture. If any parts are missing or damaged, please note on this sheet and contact the place of purchase to arrange for replacement parts.

## PARTS LIST

Company Name: \_\_\_\_\_ Co. Account #: \_\_\_\_\_  
to be filled out by retailer

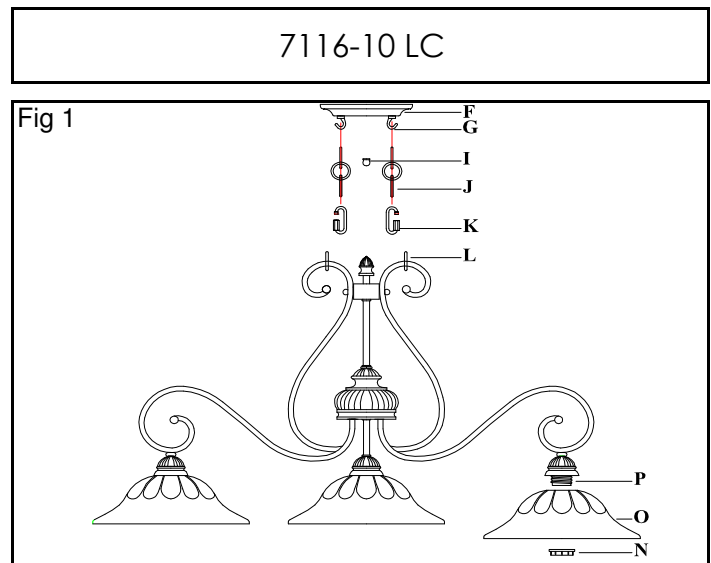
|  |   |   |
|--|---|---|
| <p>Canopy </p> <p>1ea W7"*E4"*H24mm</p>       | <p>Mounting Screws </p> <p>2ea 8#32-IP*1"</p> | <p>Canopy loop </p> <p>2ea 1/8-IP*H26mm</p>        |
| <p>Chain </p> <p>2ea 6ft Ø3.8</p>             | <p>Wire connectors </p> <p>3ea P3 Orange</p>   | <p>Nipple </p> <p>1ea 1/8-IP*H30mm</p>             |
| <p>Chain connector </p> <p>4ea Ø5.8*H61mm</p> | <p>Finial </p> <p>1ea 1/8-IP*H15mm</p>         | <p>Mounting Strap </p> <p>1ea W4-1/8"*E1"*H5mm</p> |
| <p>Hex Nut </p> <p>1ea 1/8-IP*H4mm</p>      |   |   |
| Part Needed _____  |   | Quantity _____  |
| Part Needed _____  |   | Quantity _____  |
| Reason why ( missing, scratched, broken glass, bent, bad finish)   |   |   |
| Comments _____   |   |   |

### FIXTURE ASSEMBLY INSTRUCTIONS

**Read and review installation instruction sheet before assembling the fixture.**

**ASSEMBLING THE FIXTURE (Fig 1)**  
The fixture frame is does not require any assembly.

**NOTE: INSTALL THE GLASS ASSEMBLY AFTER THE FIXTURE IS HUNG.**

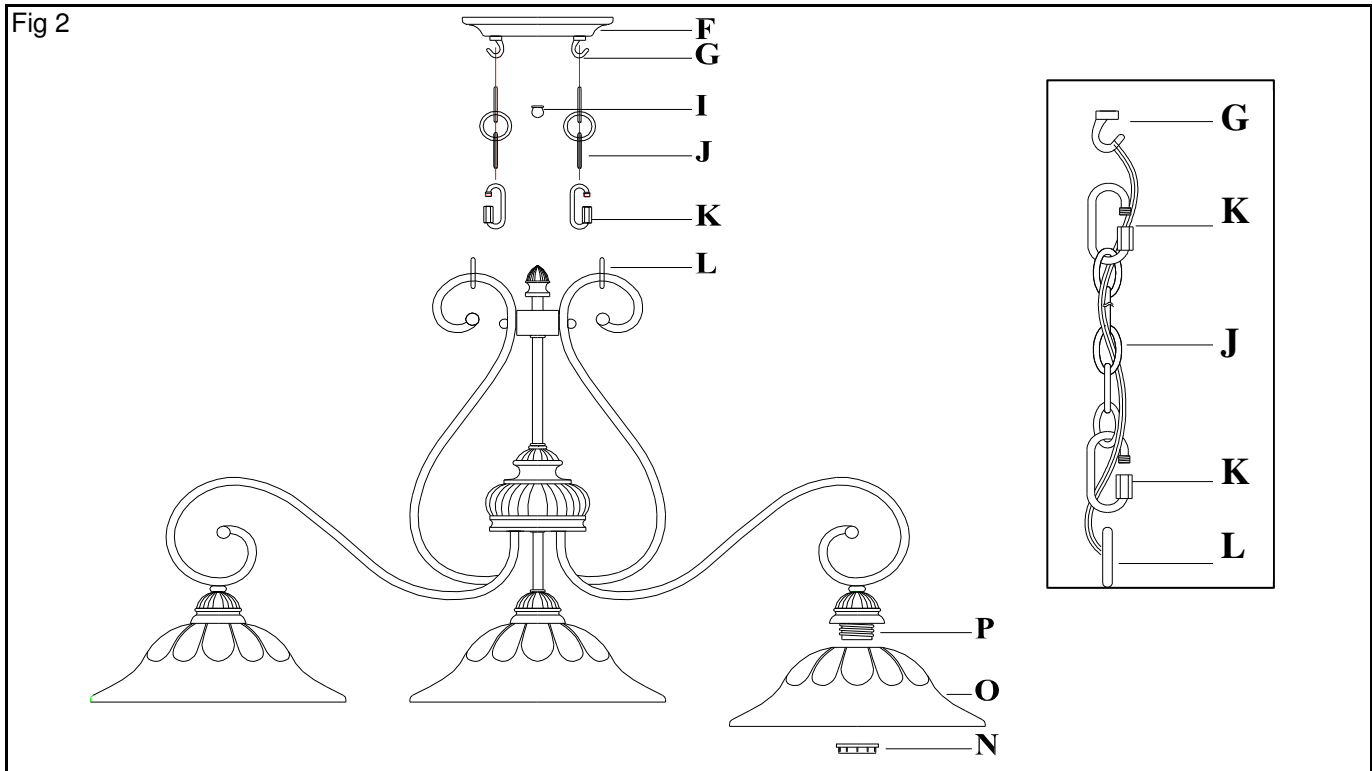


For Customer Service, contact the place of purchase to arrange for replacement parts.

# PARTS & ASSEMBLY SHEET

Fixture Name: Mayfair 7116-10 LC

Fig 2



## ASSEMBLING THE FIXTURE (Fig 2)

1. By measuring determine correct number of links needed for proper hanging height. Use a pair of pliers to open one link of the Chain (J) then remove the excess chain (J) and discard it.
2. Use Chain connector (K) to attach the Chain (J) to top loop of fixture Frame (L) and close the connector as shown.
3. Attach a Chain connector (K) to the top end of the Chain (J). Repeat steps 1 thru 3 for the second chain.
4. Lace the fixture's wire through the chain links (J) (every three links) and pull until taut. (the wires will run through just one side.)
5. Use Chain connector (K) to attach the top of Chain (J) to the Canopy loop (G) and close the chain connector as shown.
6. Tread the fixture wires through the center hole in Canopy loop.
7. Make sure the weight of the chandelier will be supported by the chain-not the electrical wire.

\* You may now install the fixture.

Note: Complete these remaining steps after the fixture is hung.

8. Place the Glass Shades (O) over the Threaded Sockets (P), secure the Glass Shades (O) by threading by the Socket Rings (N) on until tight.
9. Install the light bulbs in accordance with the fixture's specifications.  
(DO NOT EXCEED MAXIMUM WATTAGE RATING)

For Customer Service, contact the place of purchase to arrange for replacement parts.

Fixture Name: Mayfair 7116-10 LC

For Island Light Fixture

## WARNING! SHUT OFF POWER AT FUSE OR CIRCUIT BREAKER.

### HANGING THE FIXTURE (Fig 1)

- Carefully remove the new fixture from the carton and the yellow bag that holds all parts. Check that all parts are included as shown in the illustration and parts list.
- Shut off the power at the circuit breaker and remove old fixture from ceiling, including the old mounting strap.
- Thread the Nipple(C) with Canopy Loop attached into Mounting Strap (D).
- Place Lock Washer (B) over end of Nipple (C) protruding through Mounting Strap (D) and thread Hex Nuts (A) onto Nipple until tight.
- Take this mounting strap assembly and mount to ceiling junction box with junction box Screws (E). Tighten screw securely with screw driver.
- Assemble the fixture and have an assistant or secure support hold the weight of the fixture while you complete the wiring connections.
- Thread the fixture wires and ground wire of the assembled fixture through the canopy loop and nipple and into the outlet box.

### CONNECTING THE WIRES (Fig 2)

- Attach the power supply wires to the fixture lead wires by connecting BLACK to BLACK (or SMOOTH) and WHITE to WHITE (or RIBBED).
  - Attach the GROUND wire(GREEN or COPPER) from the Junction Box and the fixture Ground wire to the green Ground Screw on the Mounting Bracket (D) or connect both wires together using the correct size of wire connectors.
- NOTE: Twist the wires together in the same direction you twist the wire connector onto the wires.
- Tuck these wire connections neatly into the Junction Box.

### FINISHING THE INSTALLATION

- Place the fixture canopy (F), over the threaded rod (C), so it protrudes through the hole in the Canopy (F). Thread the Deco nut (I) onto the threaded rod and continue turning until the Canopy (F) is snug against the ceiling.
- Install the light bulbs and glass shade as per the fixture assembly sheet.

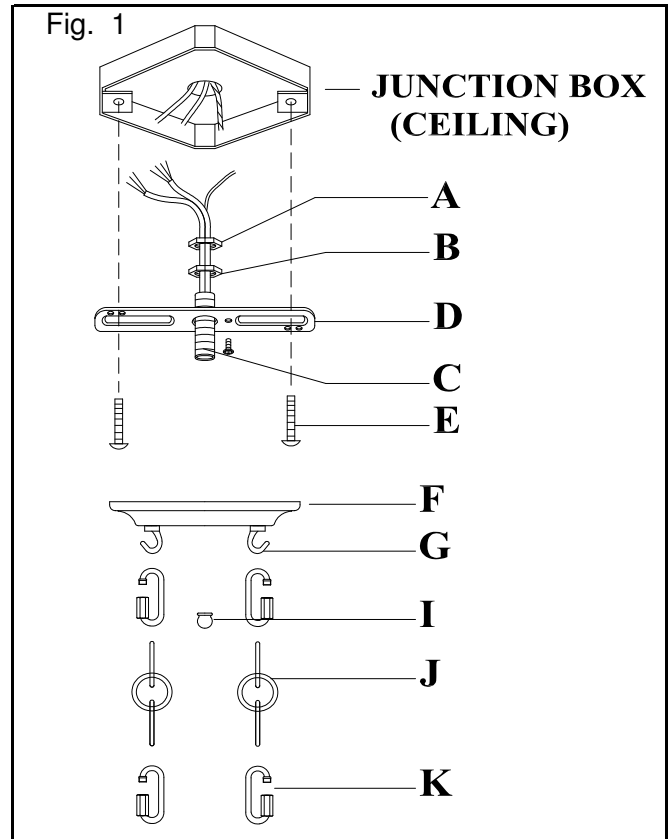
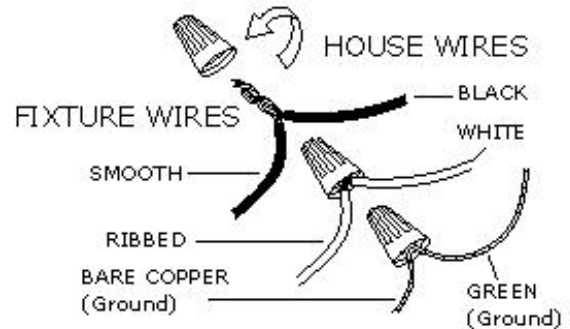


Fig. 2



**YOUR INSTALLATION IS NOW COMPLETE.  
RETURN POWER TO THE JUNCTION BOX  
AND TEST THE FIXTURE.**