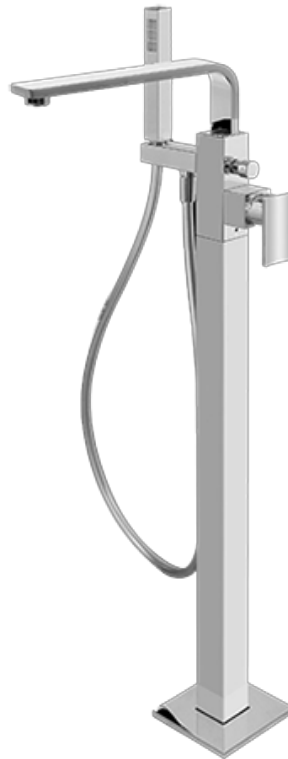


BATHROOM
Targa Floor-Mounted Tub Filler
G-3654-LM36N

GRAFF[®]

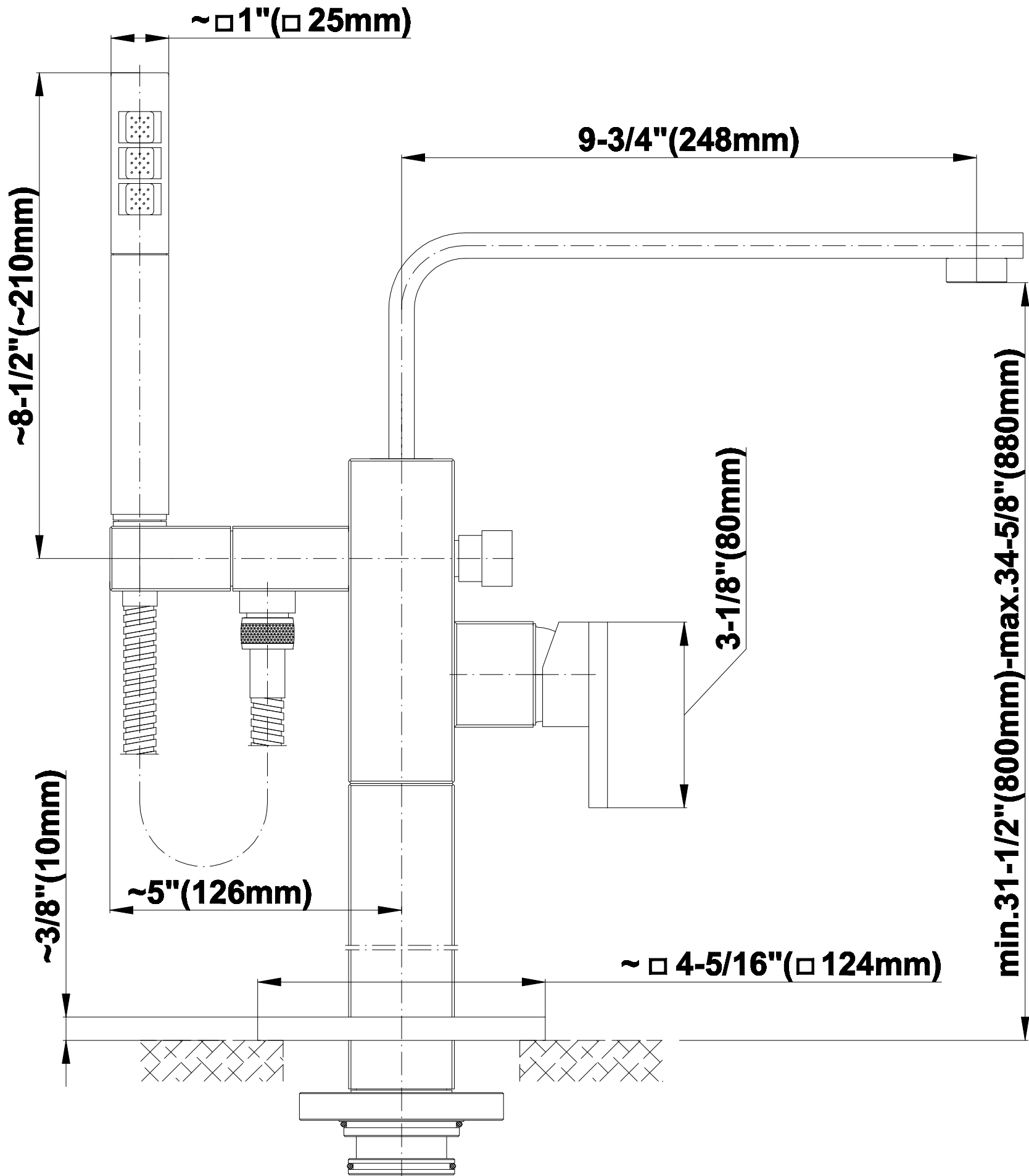


Information

- Floor-mount installation
- Aerated Flow Rate ~9 gpm @45 psi
- 9-7/8" spout reach
- 33-7/16" to 36-5/8" ~total height
- Includes handshower with 59" spiral flexible hose
- Optional in-line pressure balancing valve
- Handshower flow rate ≤ 1.5 max gpm

G-3654

TARGA Series



BATHROOM
Spout Connection Rough
G-1045

GRAFF®



Finishes



24K Gold



24K Brushed
Gold



Architectural
Black™



Brushed
Nickel



Matte Black



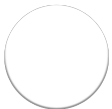
Polished
Chrome



Polished
Nickel



Steelnox®
(Satin Nickel)



Architectural
White

G-1045

Spout Connection Rough



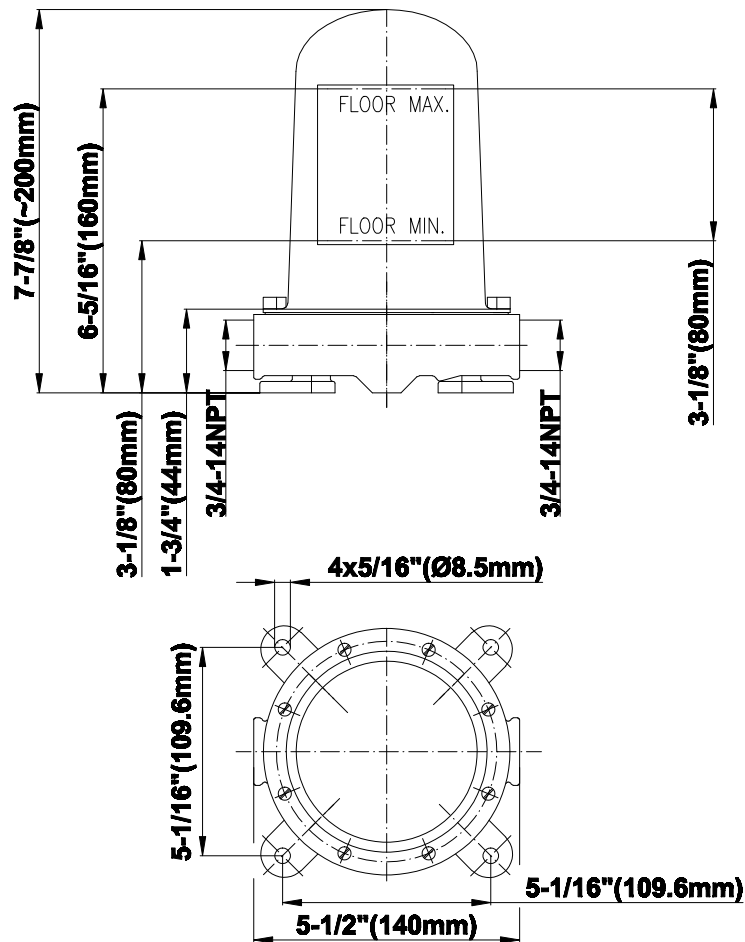
Product Features

- Mud guard displays minimum and maximum floor depth
- Rough can be installed in any orientation making it convenient to route pipes to the rough
- Trim can be rotated 360 degrees in any directions
- Averages 10 GPM with most trim

Warranty

- Limited lifetime warranty

For complete warranty information go to <http://www.graff-faucets.com/en/info/faqs>



The measurements shown are for reference only. Products and specifications shown are subject to change without notice. Revised 07/2017.

www.graff-faucets.com | phone: 800-954-4723

BATHROOM
Targa Floor-Mounted Tub Filler
G-3654-LM36N

GRAFF®



Information

- Floor-mount installation
- Aerated Flow Rate ~9 gpm @45 psi
- 9-7/8" spout reach
- 33-7/16" to 36-5/8" ~total height
- Includes handshower with 59" spiral flexible hose
- Optional in-line pressure balancing valve
- Handshower flow rate ≤ 1.5 max gpm

Finishes



24K Gold



24K Brushed
Gold



Architectural
Black™



Brushed
Nickel



Matte Black



Polished
Chrome



Polished
Nickel



Steelnox®
(Satin Nickel)



Architectural
White

G-3654

TARGA Series

