

BATHROOM
M.E. Roman Tub Set
G-6153-C17B

GRAFF®

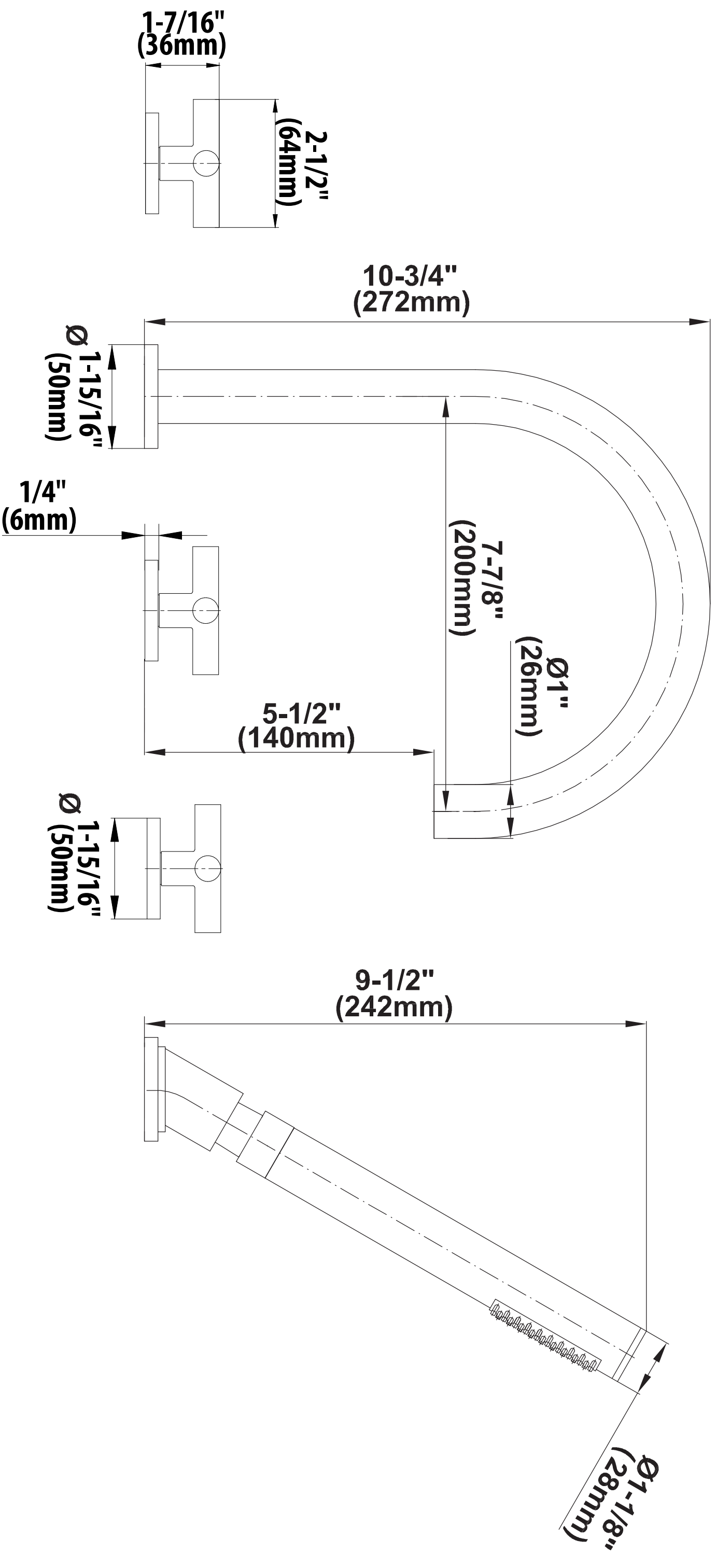


Information

- Aerated flow rate ~7 gpm @45 psi
- Deck-mounted handshower and diverter set included
- Optional in-line pressure balancing valve

G-6153-C17B

M.E.25 Series





Information

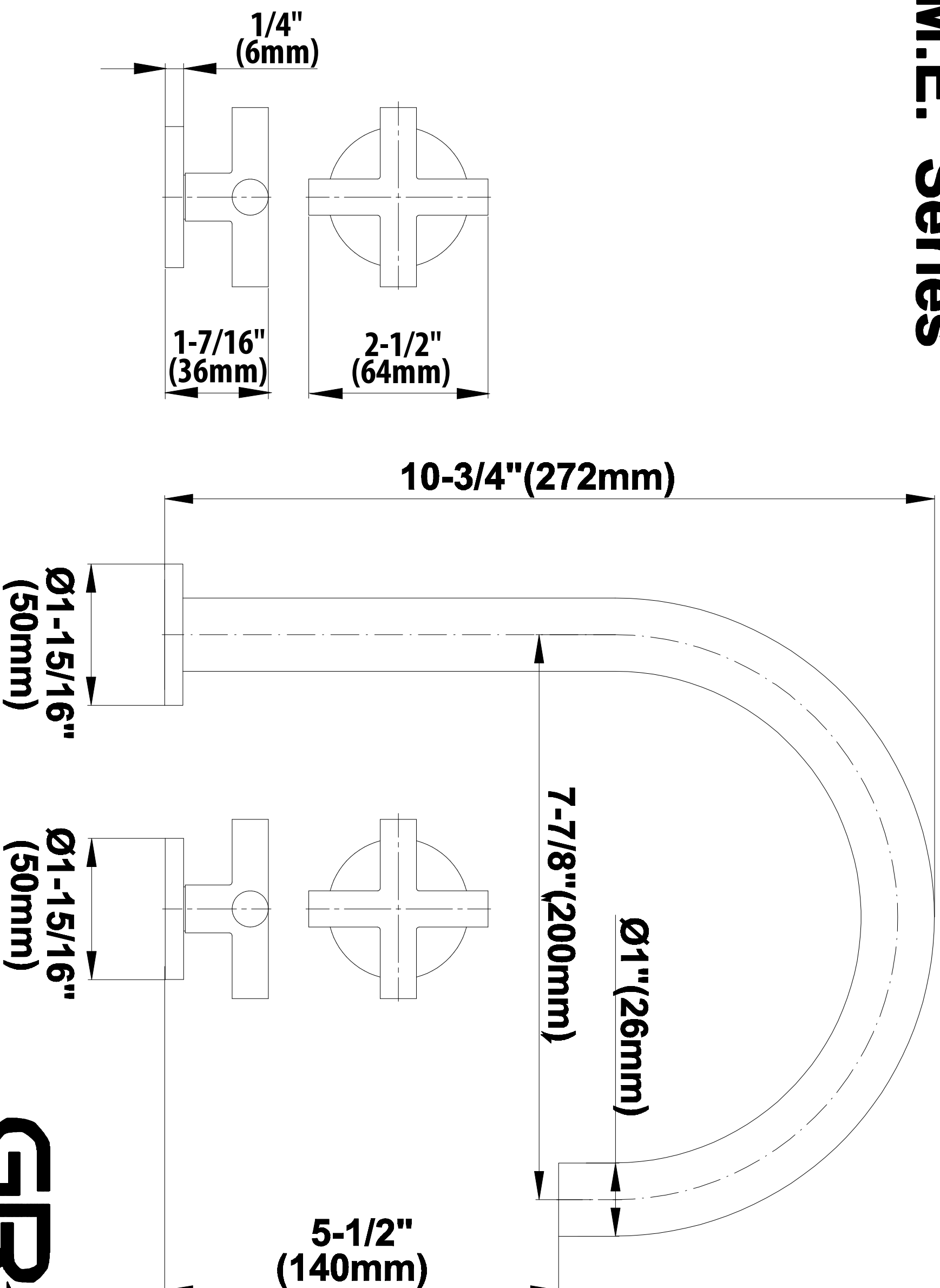
- Aerated flow rate 13 gpm @ 45 psi
- Matching deck-mounted handshower & diverter set available
- ADA

Finishes



G-6152-C17B

M.E. Series



BATHROOM
M.E. Deck-Mounted Handshower
& Diverter Set
G-6156-C17B

GRAFF®



Information

- Matches G-6152-C17B and G-6750-C17B Roman tub sets
- Handshower hose included

Finishes



G-6151-C17B Series

