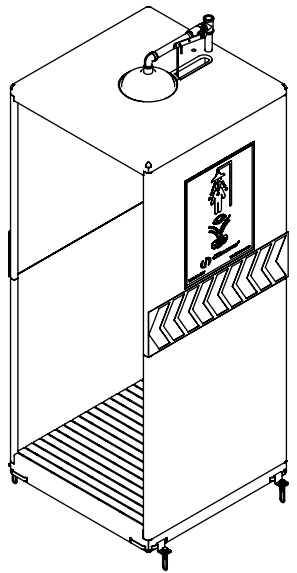
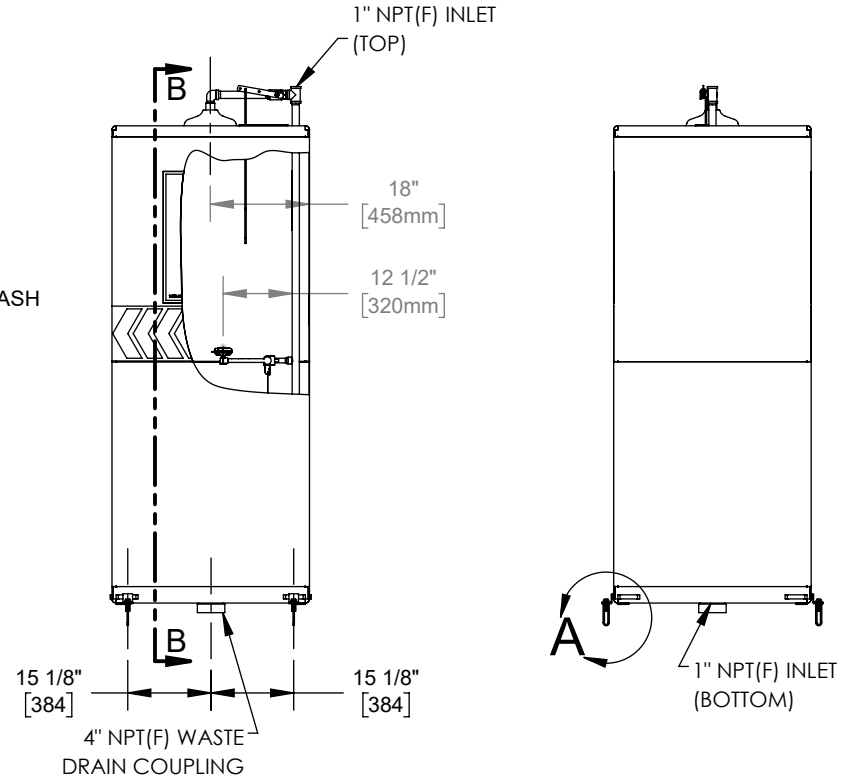
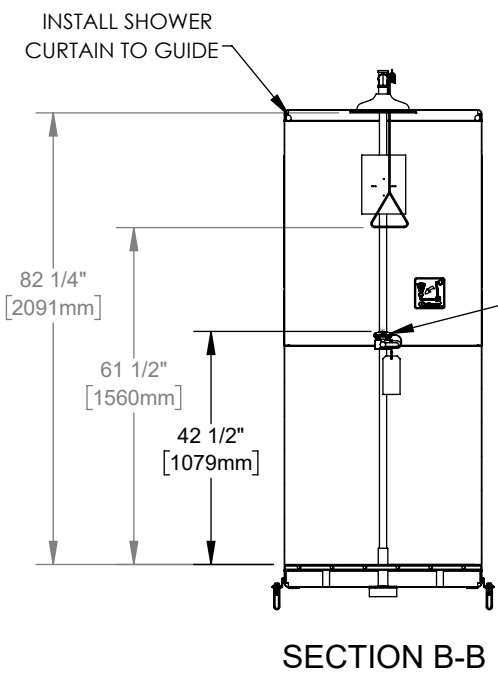
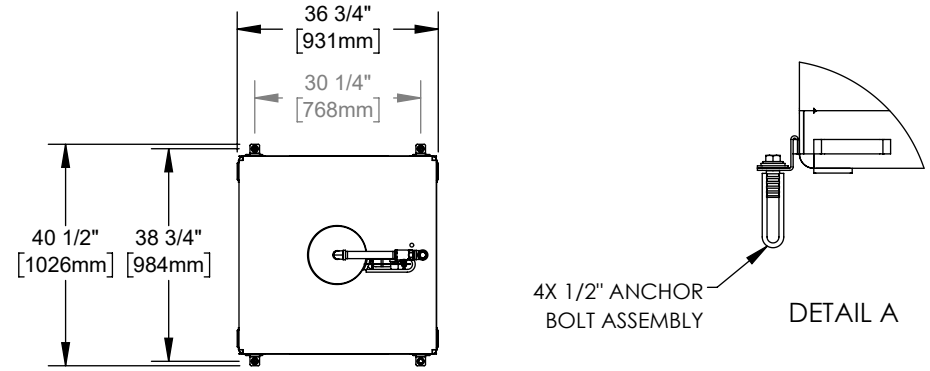


NOTES:

1. WHEN INSTALLING THIS UNIT, LOCAL, STATE, OR FEDERAL CODES SHOULD BE ADHERED TO FOR INSTALLATIONS (LOCATIONS), WASTE AND SUPPLY REQUIREMENTS OTHER THAN SHOWN.
2. KEEP ENTRY WAY AND INSIDE OF BOOTH CLEAR OF OBSTRUCTIONS.
3. DIMENSION MAY VARY ±1/2".



1455 KLEPPE LANE
SPARKS, NEVADA 89431
(775) 359-4712 FAX (775) 359-7424
E-MAIL: HAWS@HAWSO.COM
WEBSITE: WWW.HAWSO.COM

ECN: 5940	REV. ECN: 5940	BY: IR	MODEL(S): 8605SS SINGLE ENTRY STAINLESS STEEL BOOTH	PART NUMBER: 0580002177.D
DRAWN: IR	DATE: 07/11/23	CHKD: SLS		REVISION: 1
APPROVED: IR	DATE: 07/24/23	SCALE: 1:50	DRAWING TYPE: INSTALLATION	SIZE: A
				SHEET 1 OF 1