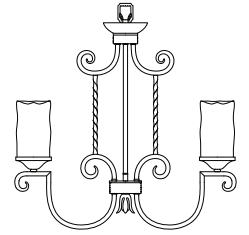
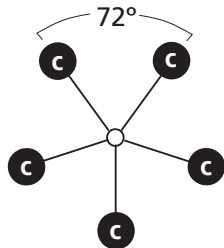


Family: Casa | Item No. 4015 OL



▼ start here

Drawing 1 - Arm Spread

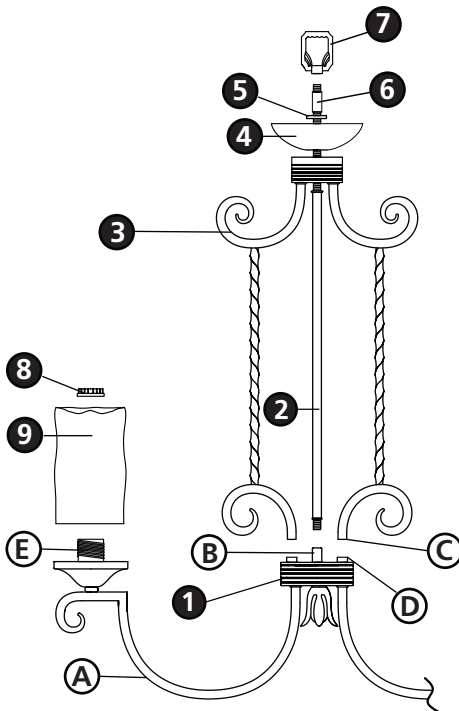


1

1. Find a clear area in which you can work.
2. Unpack fixture and glass from carton.
3. Carefully review instructions prior to assembly.

*** The construction of this fixture will be accomplished by first assembling the main body of the fixture, installing the mounting hardware, making all necessary electrical connections, hanging the fixture from the ceiling and then installing the glass.

Drawing 2 - Fixture Assembly



2

1. Rotate the five arms (A) of the main body assembly (1) until they are equally spaced 72 degrees apart - See Drawing 1.
2. Slip center stem (2) along wire and thread into coupler (B), located on top of the main body (1), and tighten.
3. Take center column assembly (3) and rotate arms until they are equally spaced 120 degrees apart. Then slip assembly along wire and slide over center stem (2). Making sure the bottom scrolls ends (C) fit over the square pegs (D) located on the top of the main body assembly (1).
4. Slip top cap (4) along wire and over center stem (2).
5. Slip washer (5) along wire and thread onto end of center stem (2) and tighten to secure center column assembly (3). making sure arms (A) line up with scroll work on center column assembly (3).
6. Slip spacer (6) along wire and over center stem (2).
6. Slip loop (7) along wire and thread onto end of center stem (2) and tighten to complete main body assembly.
7. Fixture can now be installed. Please follow instruction sheet IS-19 provided. After installation return to this section for Glass installation instructions.

3

1. To install glass first remove socket ring (8) from socket (E).
2. Slip glass (9) over socket.
3. Thread socket ring (8) back onto socket (E) and tighten to secure glass.
4. Fixture can be lamped accordingly at this time.
5. Fixture is complete.

Note: Maximum wattage for 4015 fixture is 100 watts per bulb.

10.3.08

Drawing 1 - Flush Mount



Drawing 2 - Chain Hung



Drawing 3 - Post-Mount



SAFETY WARNING: READ WIRING AND GROUNDING INSTRUCTIONS (I.S. 18) AND ANY ADDITIONAL DIRECTIONS. TURN POWER SUPPLY OFF DURING INSTALLATION. IF NEW WIRING IS REQUIRED, CONSULT A QUALIFIED ELECTRICIAN OR LOCAL AUTHORITIES FOR CODE REQUIREMENTS.

wiring instructions

Indoor Fixtures

1. Connect positive supply wire **(A)** (typically black or the smooth, unmarked side of the two-conductor cord) to positive fixture lead **(B)** with appropriately sized twist on connector - see **Drawings 1 or 2**.
2. Connect negative supply wire **(C)** (typically white or the ribbed, marked side of the two-conductor cord) to negative fixture lead **(D)**.
3. Please refer to the **grounding instructions** below to complete all electrical connections.

Outdoor Fixtures

1. Connect positive supply wire **(A)** (typically black or the smooth unmarked side of the two-conductor cord) to positive fixture lead **(B)** with appropriately sized twist on connector - see **Drawings 2 or 3**.
2. Connect negative supply wire **(C)** (typically white or the ribbed, marked side of the two-conductor cord) to negative fixture lead **(D)**.
3. Cover open end of connectors with silicone sealant to form a watertight seal.
 - If installing a wall mount fixture, use caulk to seal gaps between the fixture mounting plate (backplate) and the wall. This will help prevent water from entering the outlet box. If the wall surface is lap siding, use caulk and a fixture mounting platform specially.
4. Please refer to the **grounding instructions** below to complete all electrical connections.

grounding instructions

Flush Mount Fixtures

For positive grounding in a 3-wire electrical system, fasten the fixture ground wire **(E)** (typically copper or green plastic coated) to the fixture mounting strap **(1)** with the ground screw **(2)** - see **Drawing 1**.

Note: On straps for screw supported fixtures, first install the two mounting screws in strap. Any remaining tapped hole may be used for the ground screw.

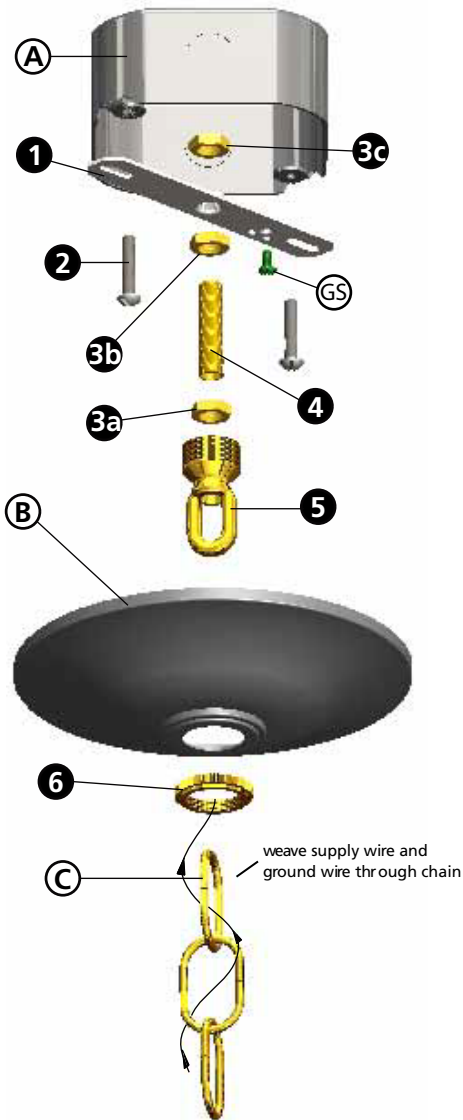
Chain Hung Fixtures

Loop fixture ground wire **(E)** (typically copper or green plastic coated) under the head of the ground screw **(2)** on fixture mounting strap **(1)** and connect to the loose end of the fixture ground wire directly to the ground wire of the building system with appropriately sized twist-on connectors - see **Drawing 2**.

Post-Mount Fixtures

Connect fixture ground wire **(E)** (typically copper or green plastic coated) to power supply ground with appropriately sized twist-on connector inside post. Cover open end of connector with silicone sealant to form a watertight seal - see **Drawing 3**.

Drawing 1 - Hanging Assembly



Drawing 2 Canopy Adjustment



▼ start here

SAFETY WARNING: READ WIRING AND GROUNDING INSTRUCTIONS (I.S. 18) AND ANY ADDITIONAL DIRECTIONS. TURN POWER SUPPLY OFF DURING INSTALLATION. IF NEW WIRING IS REQUIRED, CONSULT A QUALIFIED ELECTRICIAN OR LOCAL AUTHORITIES FOR CODE REQUIREMENTS.

1

1. Shut off electrical current before starting. If the fixture you are replacing is turned on and off by a wall switch, simply turn the switch off. If not, remove the appropriate fuse (or open the circuit breakers) until the fixture is dead.

- DO NOT restore current - either by fuse, breaker or switch - until the new fixture is completely wired and in place.

2

1. fasten mounting strap (1) to outlet box (A) with the two 8-32 screws (2) -see Drawing 1.

2. Thread 2 - hex nuts (3a) and (3b) onto threaded tubing (4).

3. Thread one end of threaded tubing (4) into loop (5) a minimum of 1/2" to 3/4". Tighten hexnut (3a) against loop (5) to lock loop in position.

4. Thread other end of threaded tube (4) into mounting strap approximately 1/2".

5. Slip canopy (B) over loop (5) and adjust height of loop so half of the threaded area on the loop is exposed - see **Drawing 2** below. After loop height is adjusted, tighten hex nut (3b) up against mounting strap, tighten against mounting strap to lock loop and threaded tube in position.

6. Remove mounting strap (1) from junction box (A), and thread third hex nut (3c) onto end of threaded tube (4) above the mounting strap, tighten against mounting strap to lock assembly in position.

7. Remount mounting strap to junction box.

3

1. Taking the chain, determine the length you require to hang the fixture.

2. Attach one end of the chain to the top loop of the fixture - see **Drawing 2**.

3. Now slip loop collar (5) and canopy (B) onto chain.

4. Attach other end of chain to loop (4). Get assistance for this step since fixture may be heavy and difficult to hold while attaching the chain.

4

1. Unwrap supply wire and ground wire and weave them up through the chain.

2. Slip supply wire and ground wire through center of loop (4).

3. Connect ground wire to mounting strap (1) using green ground screw (6).

4. Make electrical connections from supply wire to fixture lead wires. Refer to instruction sheet (I.S. 18) and follow all instructions to make all necessary wiring connections.

5. Slip canopy up firmly against the ceiling and secure by turning the threaded collar (5) on loop (4) until tight.