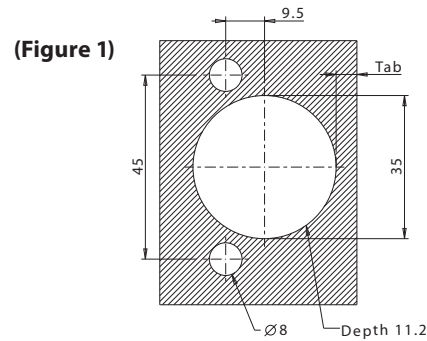


Compact Hinges

1. Open and place the hinge into the boring pattern 35mm hole (figure 1) - two locations per door
2. Install (2) #6 x 1/2" flat head screws into the 8mm doweled holes
3. Repeat (step 2) for second hinge
4. Hold cabinet door perpendicular to cabinet frame and index both hinges on leading face frame edge
5. Install (1) #8 5/8" pan head screw through each hinge into the face frame
6. Close cabinet door to cabinet face
7. Check what adjustments need to be made
8. Follow (figure 2) for 6-way adjustments



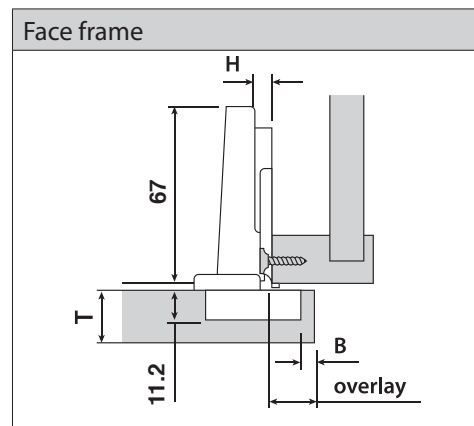
(Figure 2)

Horizontal adjustment	Vertical adjustment	Depth adjustment
Rotate front screw to increase or decrease door overlay.	Rotate center cam screw to adjust door position.	Rotate rear cam screw to adjust door position.

Long Arm Hinges

1. Open and place the hinge into the boring pattern 35mm hole (figure 1) - two locations per door
2. Install (2) #6 x 1/2" flat head screws into the 8mm doweled holes
3. Repeat (step 2) for second hinge
4. Hold cabinet door perpendicular to cabinet frame and index both hinge plates on leading face frame edge
5. Install (2) #6 x 5/8" flat head screws through each hinge plate into the face frame
6. Close cabinet door to cabinet face
7. Check what adjustments need to be made
8. Follow (figure 4) for 6-way adjustments

(Figure 3)



(Figure 4)

Horizontal adjustment	Vertical adjustment	Depth adjustment
Rotate front screw to increase or decrease door overlay (-2mm).	Rotate cam screw on mounting plate to adjust door position (-2 mm). On non-cam mounting plates, loosen screws, adjust door and retighten screws.	Rotate rear cam screw to adjust door position (+3mm, -2mm).