

# Metal Drawer Box

## Installation Instructions for the MDB-086-xxx

### IMPORTANT:

Before you begin, make sure you familiarize yourself with all the parts and fully read the instructions.

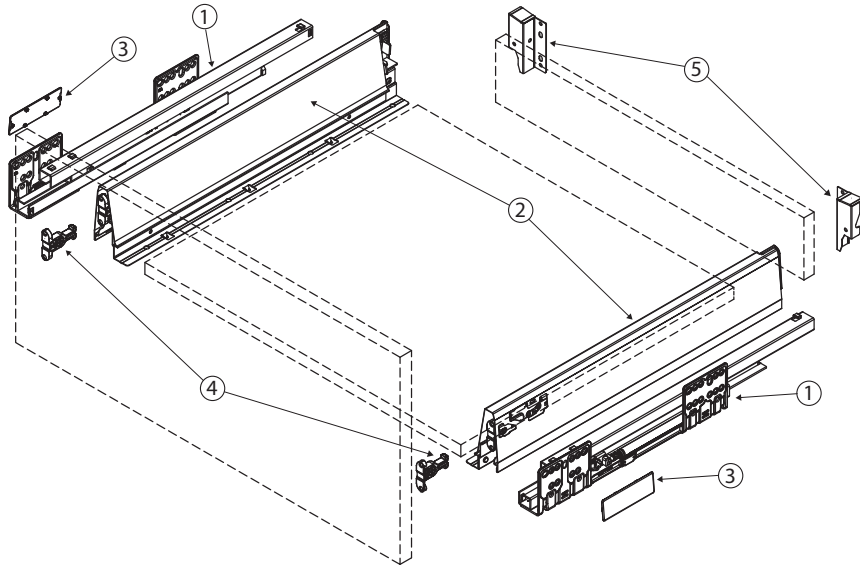
### CUSTOMER SERVICE:

Toll-free customer help line available weekdays between 7:00am and 6:00pm Central Time at 800-463-0660.

### TOOLS NECESSARY:

Screw gun or Phillips screwdriver and tape measure. NOTE: If screw gun has a clutch, set to lowest setting so as not to over tighten and/or strip screws.

### PARTS IDENTIFICATION:

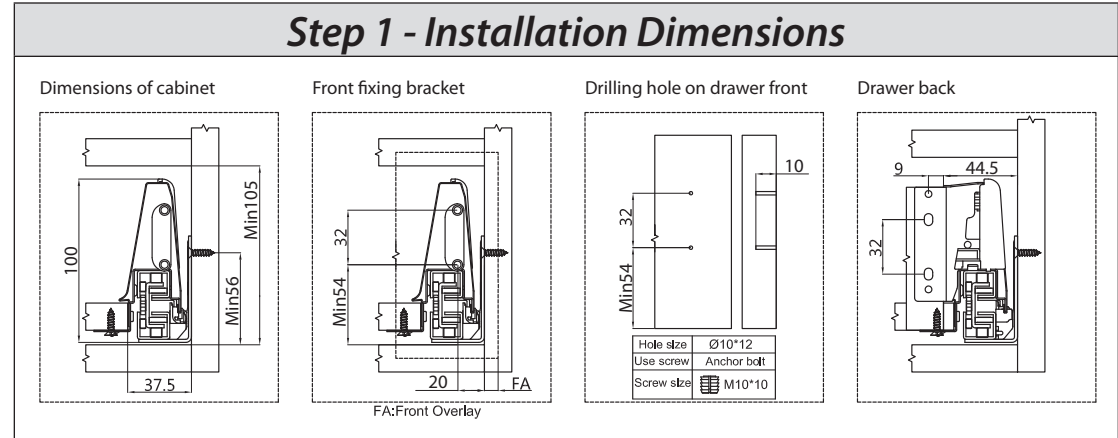


1	Cabinet profiles: (L/R)	2X
2	Drawer profiles: (L/R)	2X
3	Side cover plate	2X
4	Front fixing bracket	2X
5	Rear connecting bracket (L/R)	2X

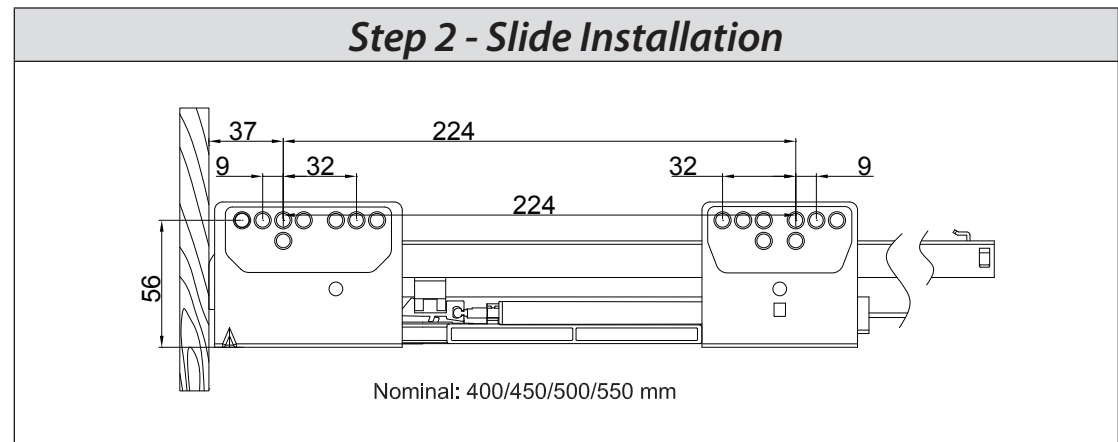
### Part Dimensions

Item No.	Nominal length	Internal drawer length	Min. installation length of drawer
MDB-086-400	400mm	374mm	410mm
MDB-086-450	450mm	424mm	460mm
MDB-086-500	500mm	474mm	510mm
MDB-086-550	550mm	524mm	560mm

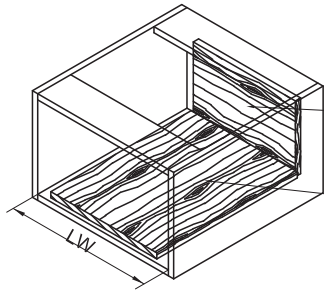
### Step 1 - Installation Dimensions



### Step 2 - Slide Installation



### Step 3 - Bottom & Back Panel Measurement



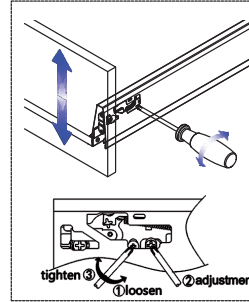
16mm Thickness panel  
LW: Internal cabinet width

Back panel height=70mm  
Back panel length=LW-89±0.5

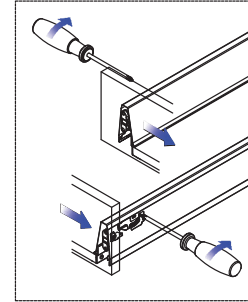
Bottom panel width=LW-75±0.5  
Bottom panel length=  
Nominal length -5mm

### Step 7 - Drawer Front Adjustment

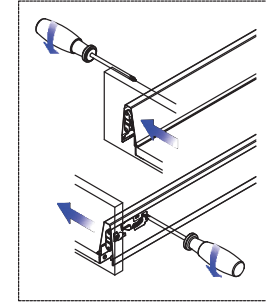
Wooden drawer front height adjustment: ±2mm



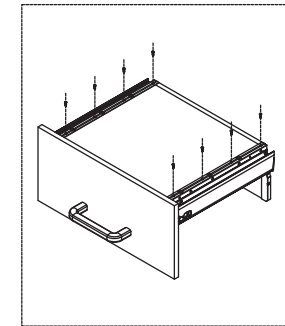
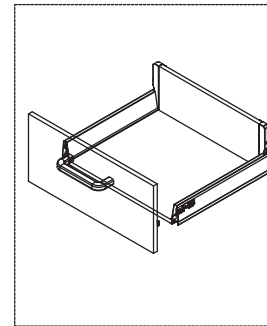
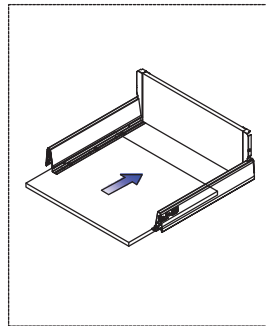
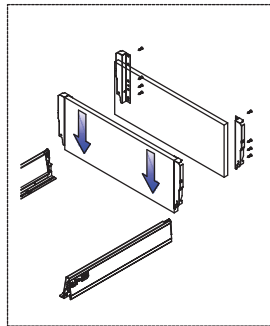
Drawer front right adjustment: 1mm



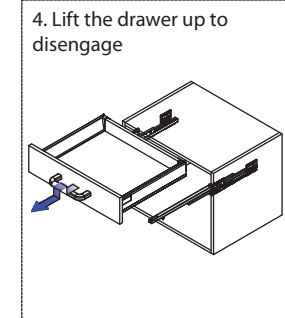
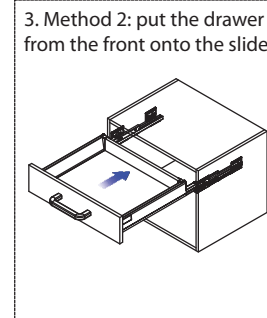
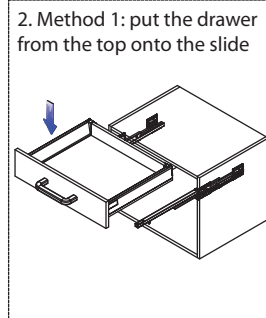
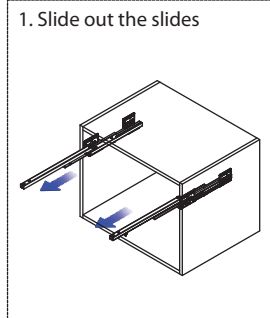
Drawer front left adjustment: 1mm



### Step 4 - Drawer Assembly



### Step 5 - Installation & Removal of Drawer



### Step 6 - Installation & Removal of Wooden Drawer Front

