

INSTALL THE ITEMS IN THE ORDER SHOWN IN THE DRAWING

5

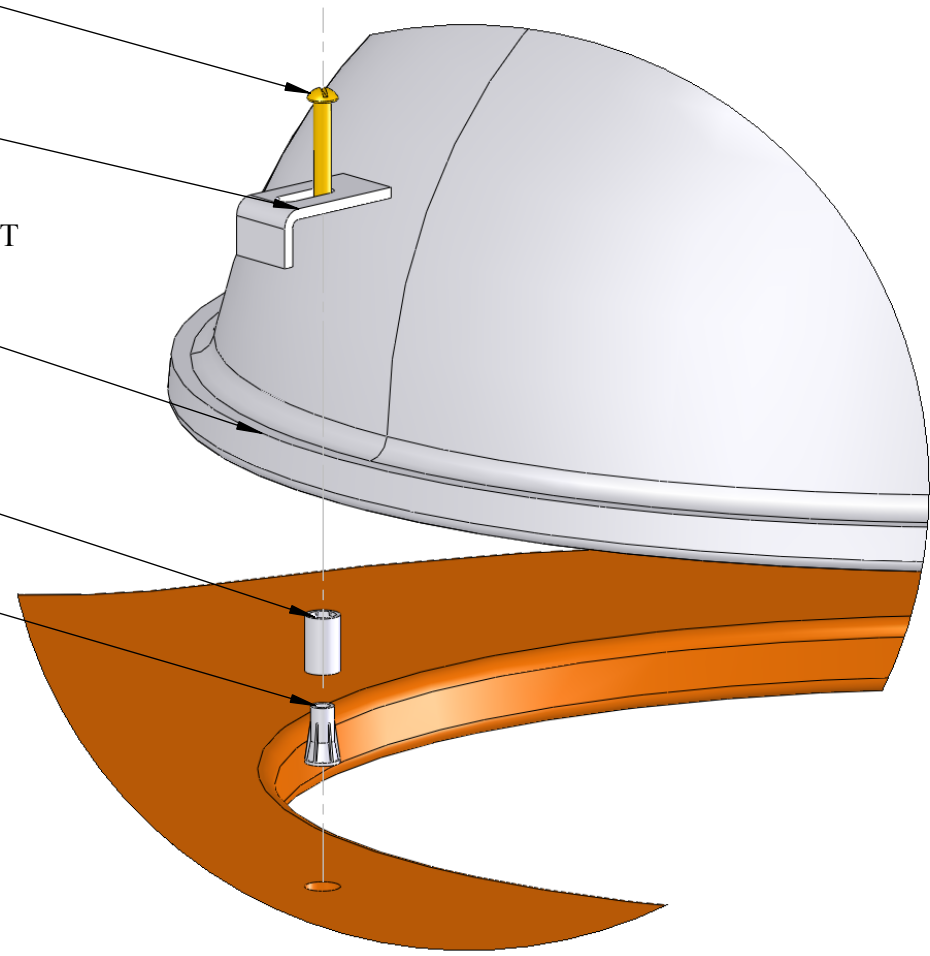
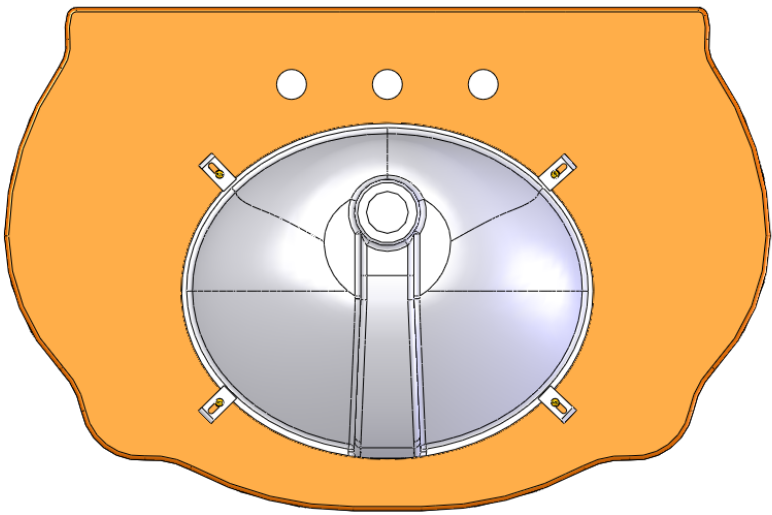
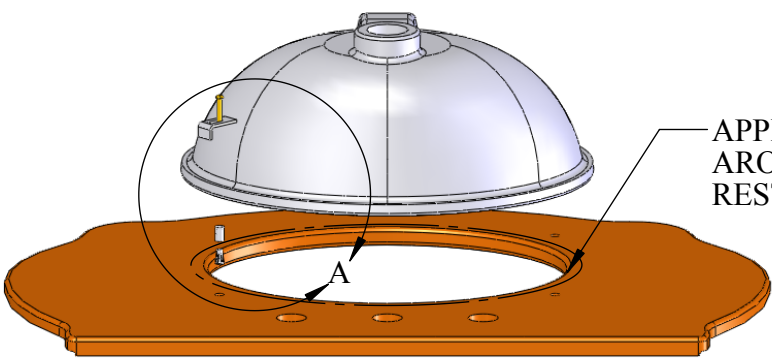
4

3

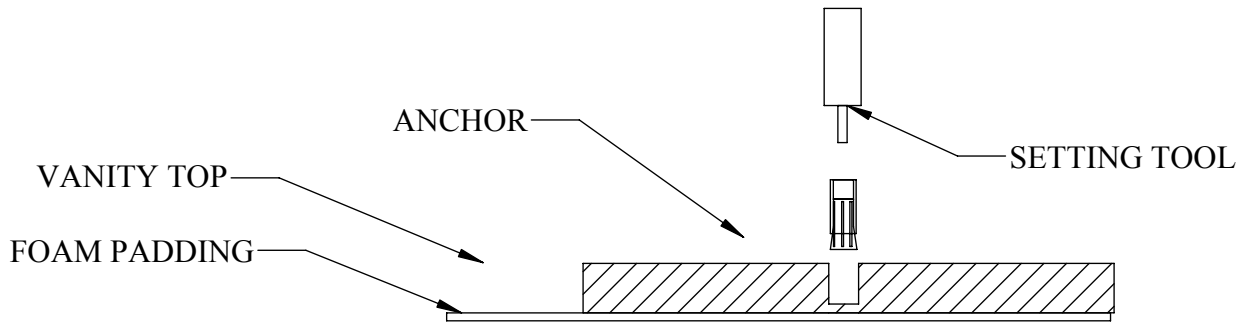
2

1

APPLY SEALANT
AROUND THE MOUNT
REST AREA



DETAIL A
SCALE 1 : 2



NOTE:
SETTING TOOL IS USED ONLY FOR
INSERTING THE ANCHOR & LEAD
(INCLUDES STEP 1 & 2) INTO THE HOLE .