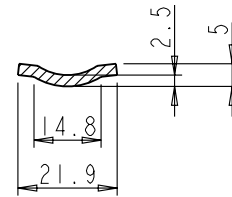
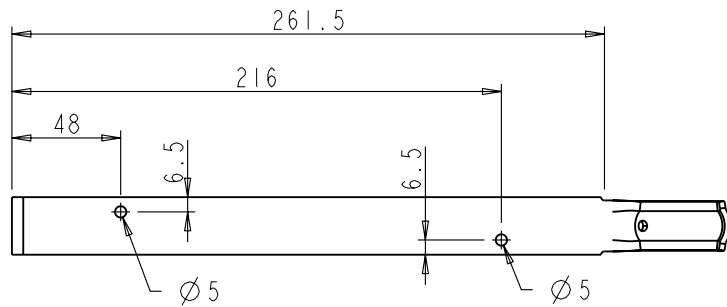


Welding at these places



SECTION A-A
SCALE 3:5

	ITEM:	1516		MATERIAL:	STEEL
	FINISH:			WEIGHT:	333.92 g
PROPRIETARY AND CONFIDENTIAL THE INFORMATION CONTAINED IN THIS DRAWING IS THE SOLE PROPERTY OF HARDWARE RESOURCES INC. ANY REPRODUCTION IN PART OR AS A WHOLE WITHOUT THE WRITTEN PERMISSION OF HARDWARE RESOURCES INC. IS PROHIBITED.	TOLERANCE UNLESS OTHERWISE SPECIFIED:		UNITS:	DRAWN BY:	DATE:
	X ±0.20		MM		
	X.X ±0.10		SIZE:	APPROVED BY:	DATE:
	X.XX ±0.05		A4		
DO NOT SCALE DRAWING	SHEET:	RELEASE LEVEL:	REVISION:		
	1 OF 1				