

8

7

6

5

4

3

2

1

F

E

D

C

B

A

F

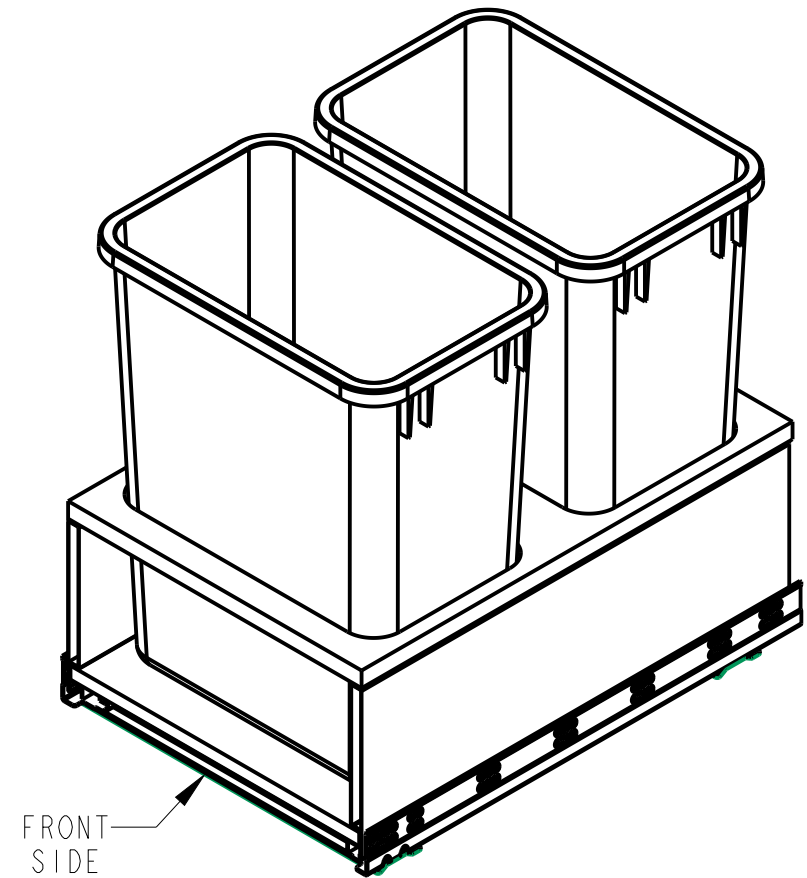
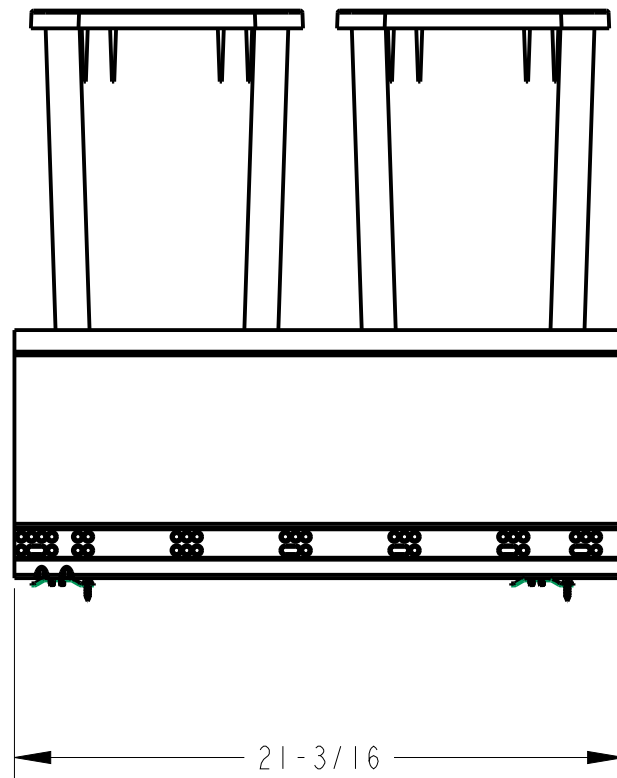
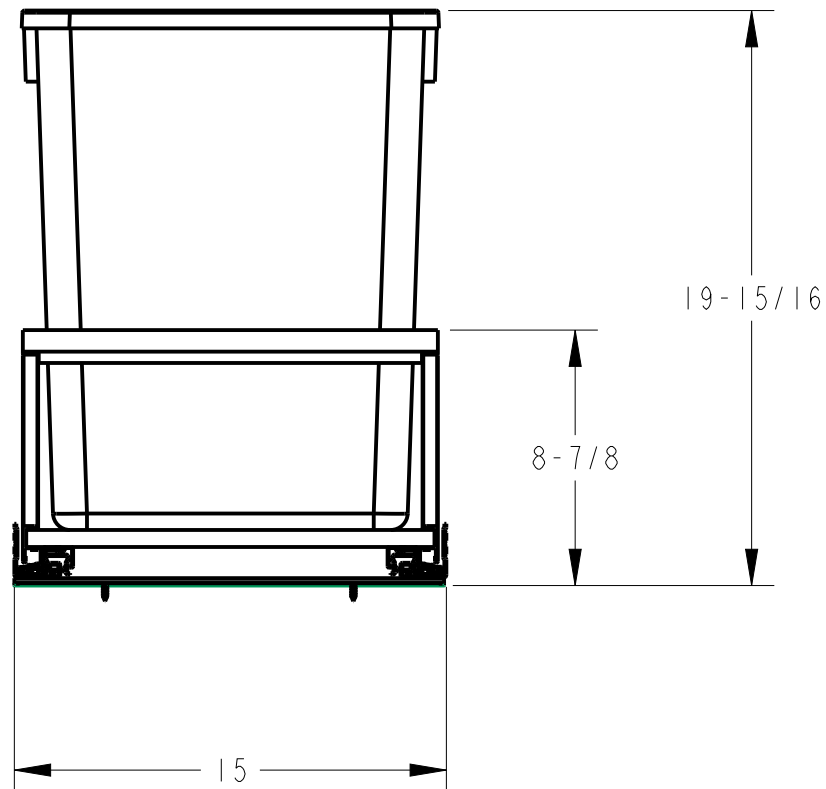
E

D

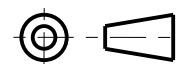
C

B

A



THIRD ANGLE PROJECTION



MATERIAL

FINISH

N/A

N/A

DESCRIPTION

CANMDB5-D35G

DRAWN BY
EDVIN.GOLESTANYAN

DATE
19DEC2019

DESIGNED BY
EDVIN.GOLESTANYAN

DATE
N/A

DRAWING NUMBER
CANMDB5-D35G

REV

APPROVED BY
DENNIS.MCGREGOR

DATE
19DEC2019

SIZE
A3

SCALE
0.150

SHEET
1 / 1

DOCUMENT STATUS

HARDWARE RESOURCES RESERVES THE RIGHT TO CHANGE SPECIFICATIONS WITHOUT NOTICE.
IN CASE OF A DISCREPANCY, ACTUAL PART GEOMETRY SUPERSEDES THIS DOCUMENT.

THE INFORMATION CONTAINED WITHIN THIS DRAWING IS THE SOLE PROPERTY OF HARDWARE RESOURCES INC. ANY
REPRODUCTION IN PART OR WHOLE WITHOUT WRITTEN PERMISSION OF HARDWARE RESOURCES INC. IS PROHIBITED.

8

7

6

5

4

3

2

1