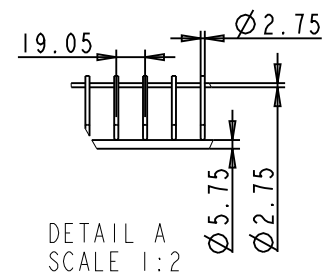
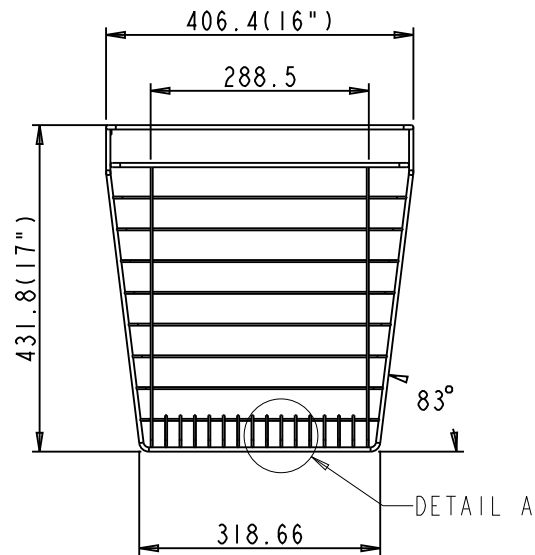
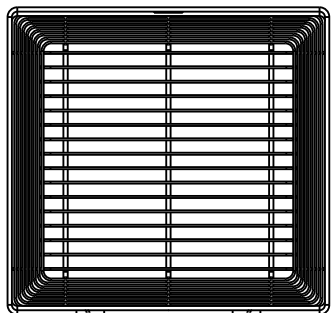


DETAIL B
SCALE 1:2



DETAIL A
SCALE 1:2



	ITEM#: POB1-161717		MATERIAL:		
	FINISH:		WEIGHT: 0.000		
PROPRIETARY AND CONFIDENTIAL THE INFORMATION CONTAINED IN THIS DRAWING IS THE SOLE PROPERTY OF HARDWARE RESOURCES INC. ANY REPRODUCTION IN PART OR AS A WHOLE WITHOUT THE WRITTEN PERMISSION OF HARDWARE RESOURCES INC. IS PROHIBITED.	TOLERANCE UNLESS OTHERWISE SPECIFIED: X ±0.20 XX ±0.10 XXX ±0.05 ANGULAR: ±0.5°		UNITS:	DRAWN BY: <i>Alexander W</i>	DATE: 10-19-15
	SIZE: A4		APPROVED BY:		DATE:
	SHEET: 1 OF 1		RELEASE LEVEL:		REVISION:
	DO NOT SCALE DRAWING				