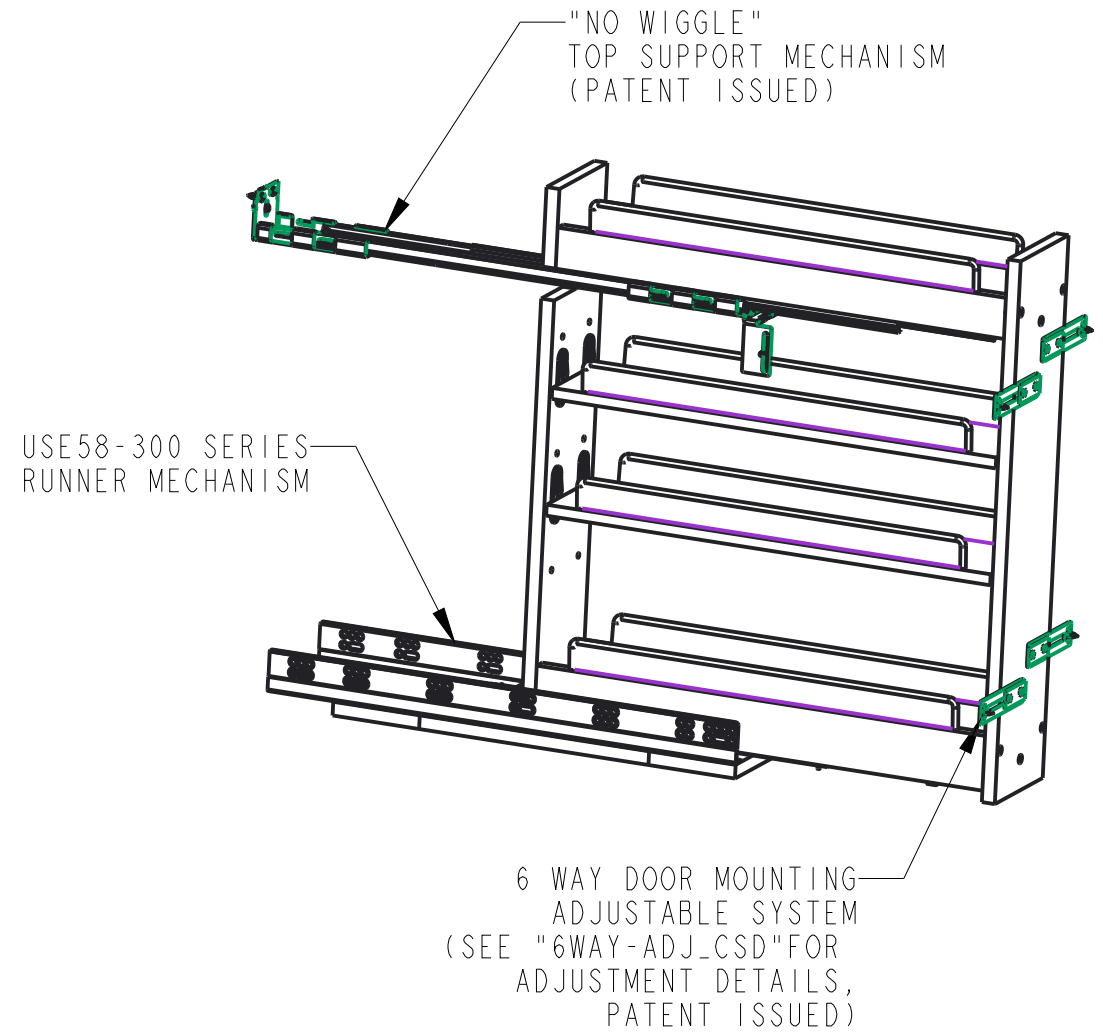
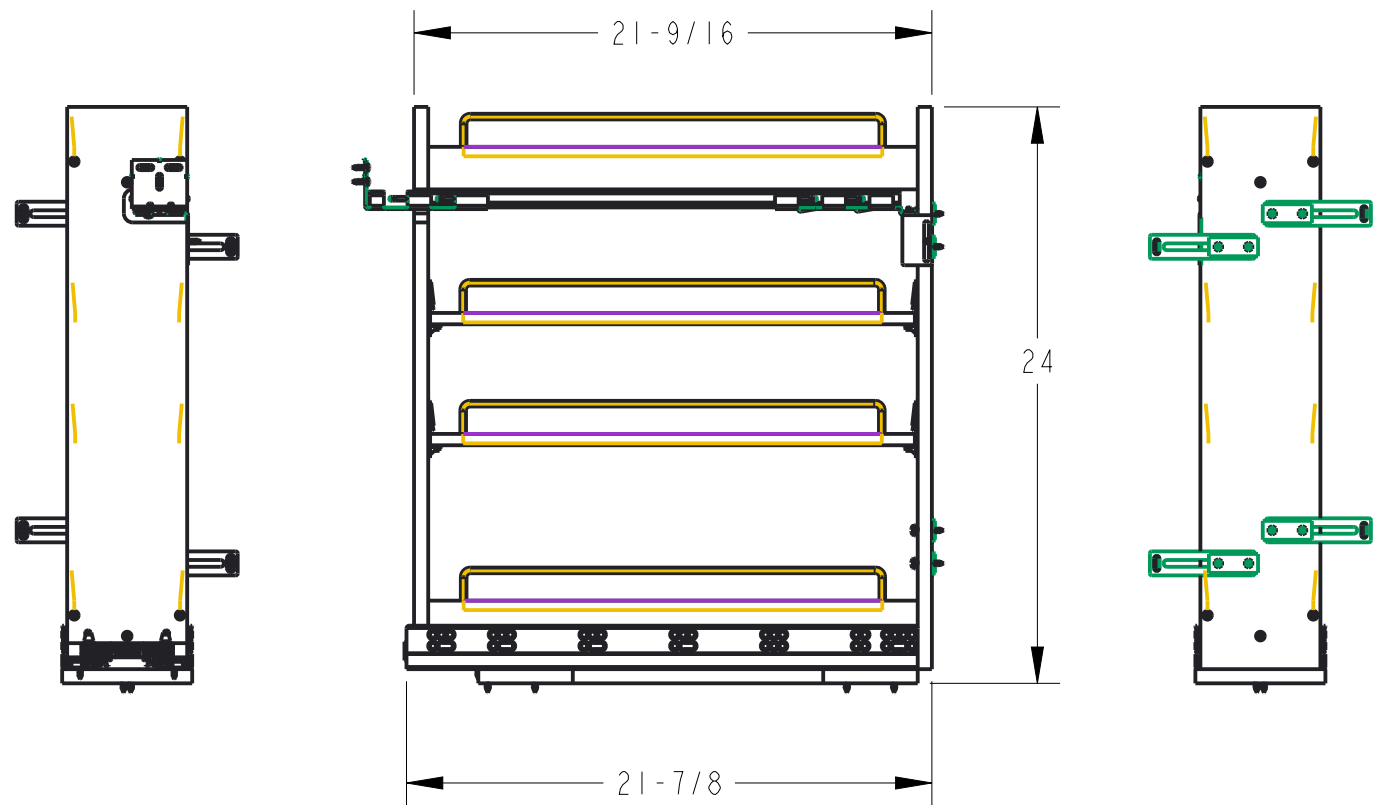


8 7 6 5 4 3 2 1

F
E
D
C
B
A



FINISHED GOODS TABLE / 完成品表		
ENGINEERING NUMBER 工程料号	HR ITEM NUMBER 海威产品编号	PRODUCT DESCRIPTION / 产品描述
00-01600048-05	BPO2-5SC	BASE PULLOUT ORGANIZER SYSTEM, BPO2, WIDTH 5
00-01600048-08	BPO2-8SC	BASE PULLOUT ORGANIZER SYSTEM, BPO2, WIDTH 8
00-01600048-11	BPO2-11SC	BASE PULLOUT ORGANIZER SYSTEM, BPO2, WIDTH 11
00-01600048-14	BPO2-14SC	BASE PULLOUT ORGANIZER SYSTEM, BPO2, WIDTH 14

THIRD ANGLE PROJECTION 	
MATERIAL BIRCH PLYWOOD	FINISH CLEAR UV
DRAWN BY A. CHEN	DATE 11SEP17
DESIGNED BY A. CHEN	DATE 13APR16
APPROVED BY R. LAIRD	DATE 19SEP17

hardware resources		
DESCRIPTION BPO2, CUSTOMER SALES DRAWING		
DRAWING NUMBER BPO2_CSD	REV A	
SIZE A3	SCALE 0.063	SHEET 1 / 3

DOCUMENT STATUS Released

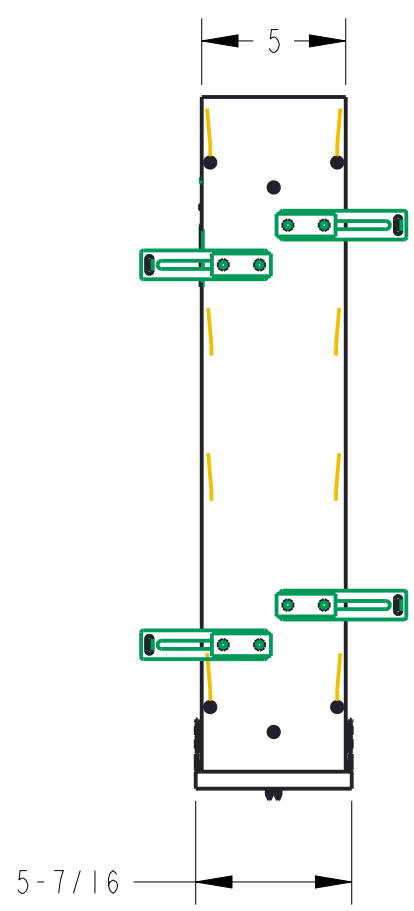
HARDWARE RESOURCES RESERVES THE RIGHT TO CHANGE SPECIFICATIONS WITHOUT NOTICE. IN CASE OF A DISCREPANCY, ACTUAL PART GEOMETRY SUPERSEDES THIS DOCUMENT.

THE INFORMATION CONTAINED WITHIN THIS DRAWING IS THE SOLE PROPERTY OF HARDWARE RESOURCES INC. ANY REPRODUCTION IN PART OR WHOLE WITHOUT WRITTEN PERMISSION OF HARDWARE RESOURCES INC. IS PROHIBITED.

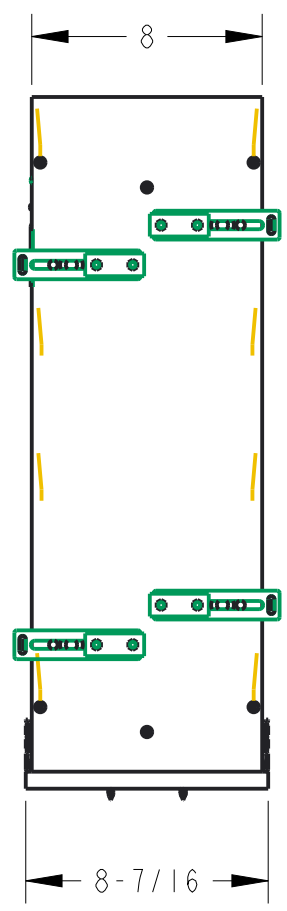
8 7 6 5 4 3 2 1

8 7 6 5 4 3 2 1

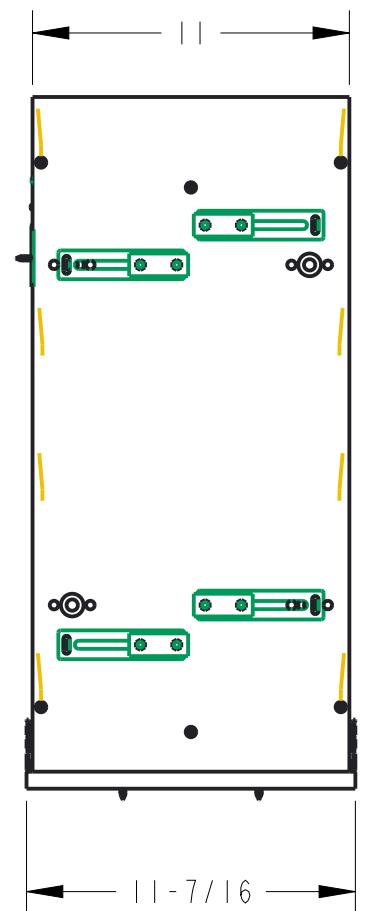
F E D C B A



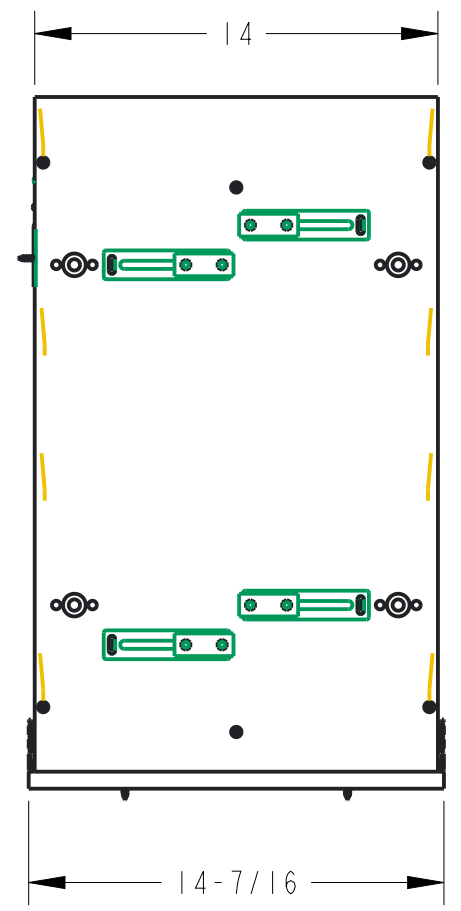
BPO2-5SC



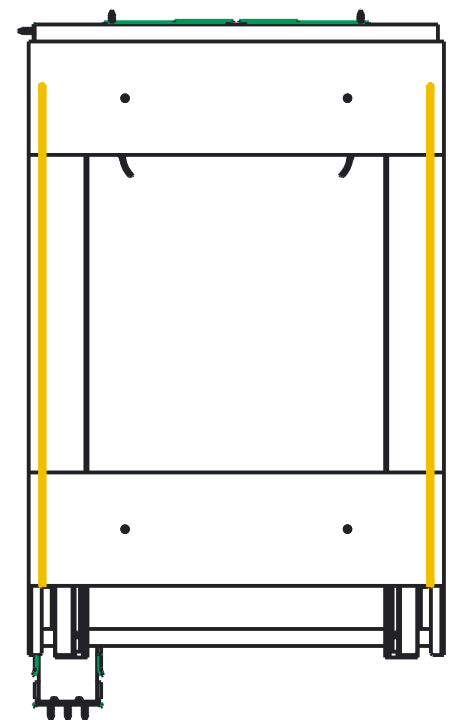
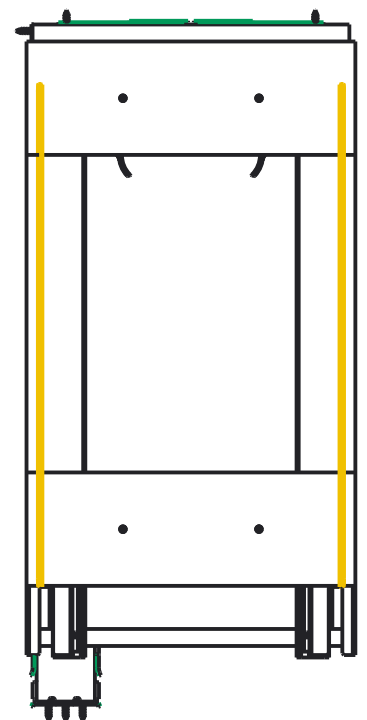
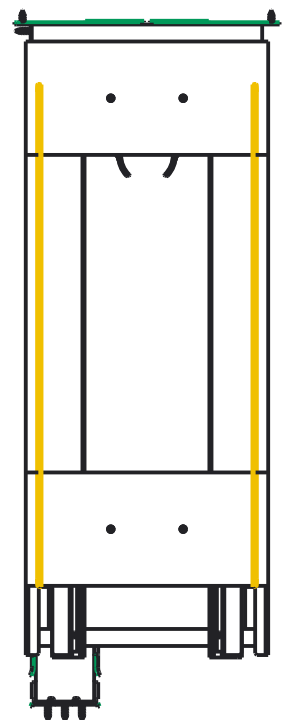
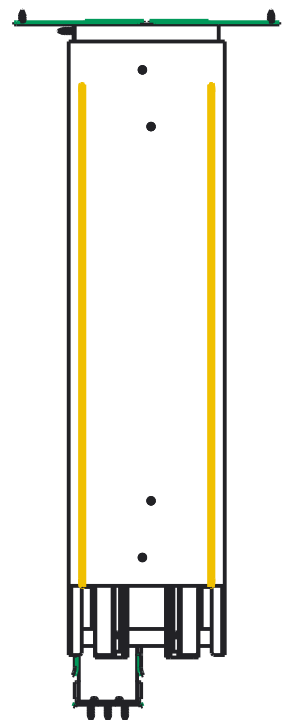
BPO2-8SC



BPO2-11SC



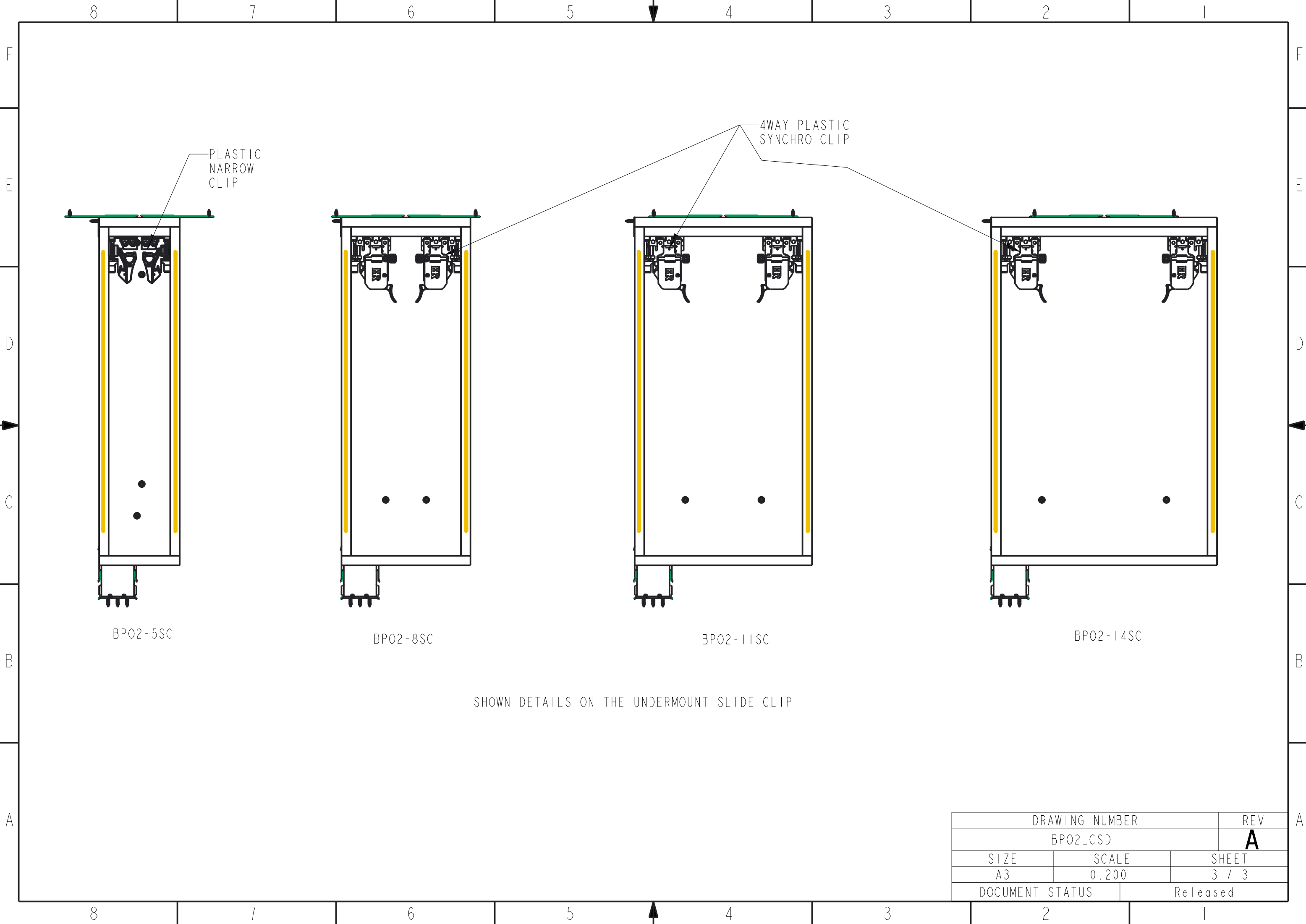
BPO2-14SC



DRAWING NUMBER		REV
BPO2_CSD		A
SIZE	SCALE	SHEET
A3	0.063	2 / 3
DOCUMENT STATUS		Released

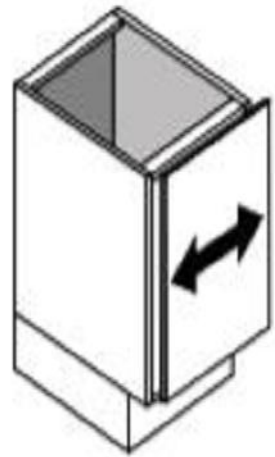
8 7 6 5 4 3 2 1

A B C D E F

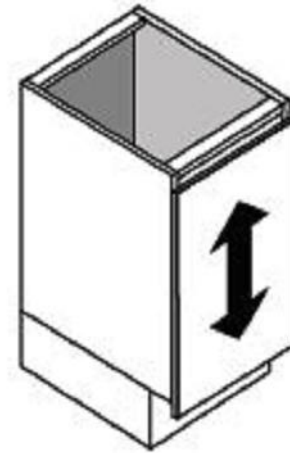


DRAWING NUMBER		REV
BPO2_CSD		A
SIZE	SCALE	SHEET
A3	0.200	3 / 3
DOCUMENT STATUS		Released

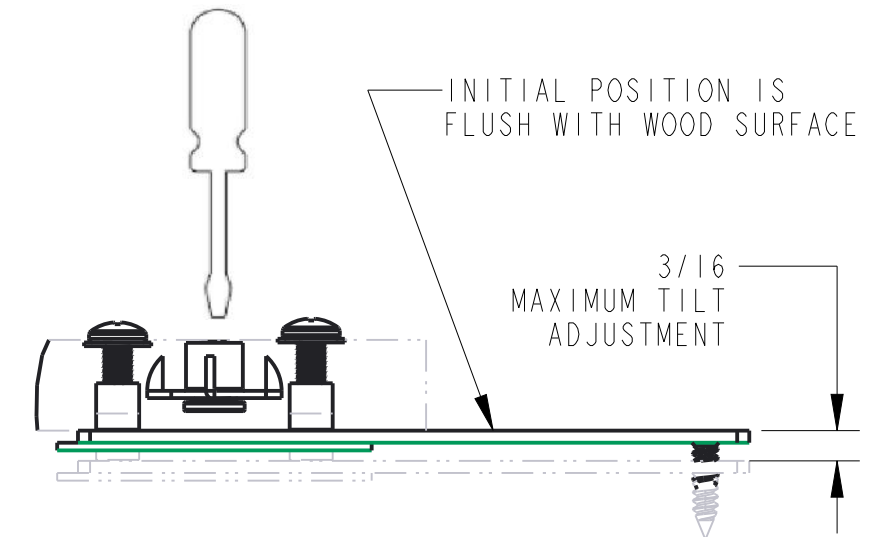
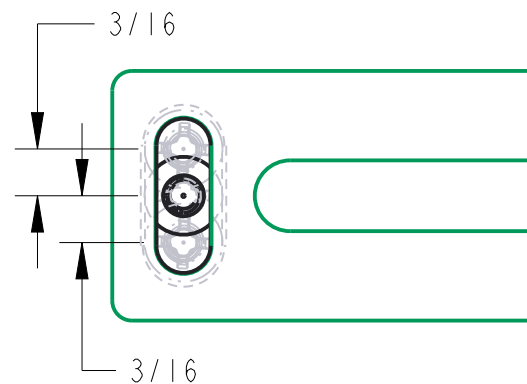
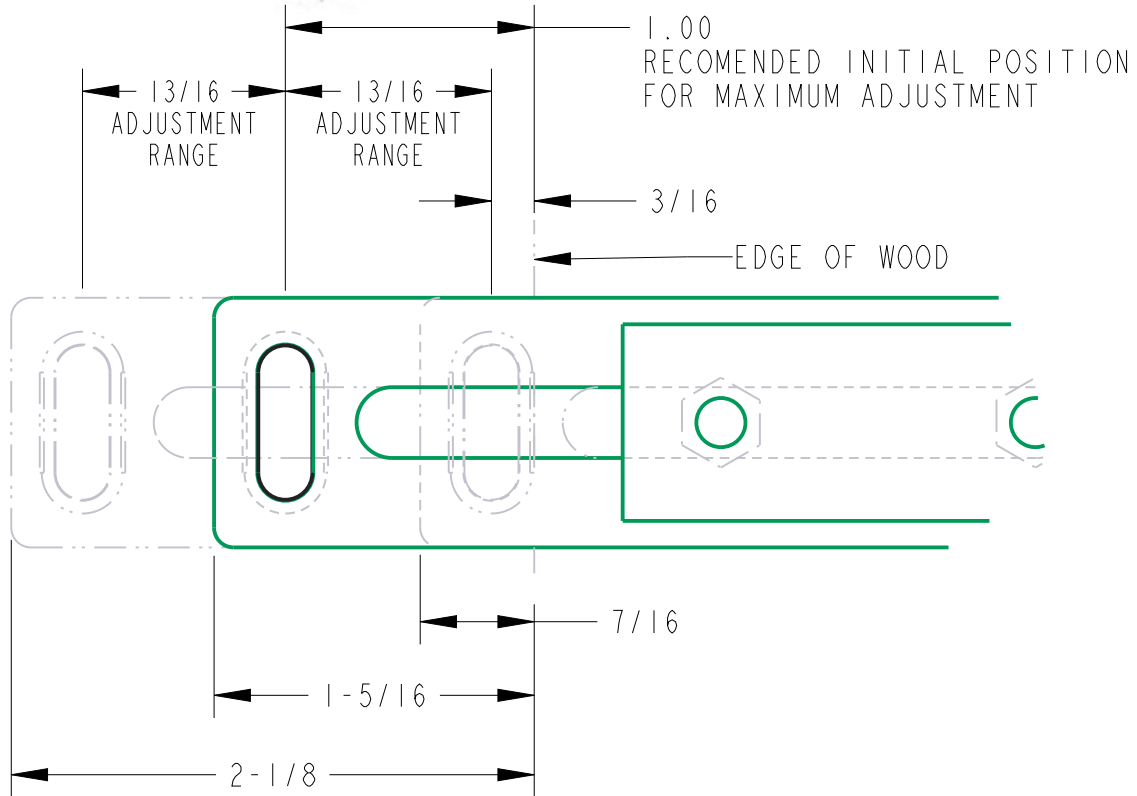
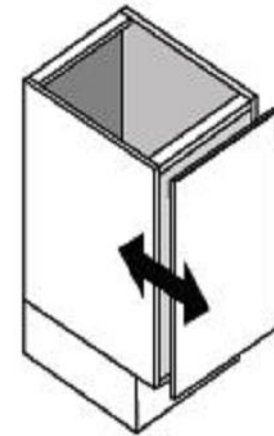
HORIZONTAL
ADJUSTMENT



VERTICAL
ADJUSTMENT



TILT
ADJUSTMENT



THIRD ANGLE PROJECTION



MATERIAL

FINISH

N/A

N/A

DRAWN BY
A.BROWN

DATE
22SEP17

DESIGNED BY
A.CHEN

DATE
05MAY17

APPROVED BY
A.CHEN

DATE
02OCT17

**hardware
resources**

DESCRIPTION

6WAY DOOR MOUNTING MECHANISM

DRAWING NUMBER
6WAY_ADJ_CSD

REV
1

SIZE
A3

SCALE
N/A

SHEET
1 / 1

DOCUMENT STATUS Released

HARDWARE RESOURCES RESERVES THE RIGHT TO CHANGE SPECIFICATIONS WITHOUT NOTICE.
IN CASE OF A DISCREPANCY, ACTUAL PART GEOMETRY SUPERSEDES THIS DOCUMENT.

THE INFORMATION CONTAINED WITHIN THIS DRAWING IS THE SOLE PROPERTY OF HARDWARE RESOURCES INC. ANY
REPRODUCTION IN PART OR WHOLE WITHOUT WRITTEN PERMISSION OF HARDWARE RESOURCES INC. IS PROHIBITED.