

STANDARD FEATURES



SMART INDUCTION COOKTOPS

- Hestan smart technology creates a seamless cooking experience, allowing the induction burner, Cue smart pan and recipe app to work in unison with you.
- Smart Pan (included with cooktop) features Bluetooth technology and embedded patented culinary sensors that automatically control cooking temperature as you proceed through recipes.
- Video-guided recipes walk you through each step and technique for every recipe in the library.

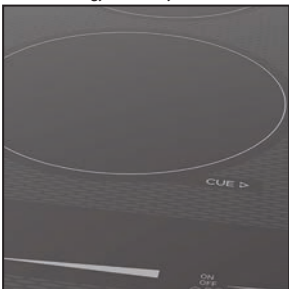
Tablet / phone guided cooking



Smart Pan temperature sensing



Energy efficiency burner

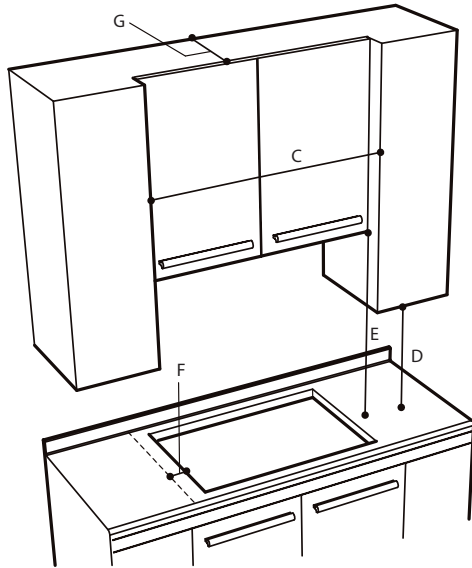


Model as shown
KICS36-BK

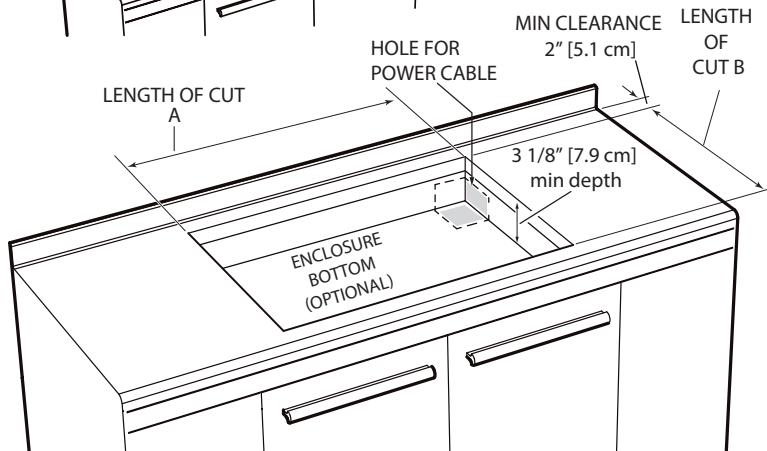
- Chef-developed recipes optimized for the smart cooktop by our team of award-winning chefs.
- Cook with precise temperature without a recipe using the Control Mode feature on the app.
- Precision induction elements deliver immediately responsive temperature control to provide consistent cooking results.
- Powerful energy efficient induction burner only heats up surface area under your pan and is safely cool to the touch.
- Induction power generates exceptionally high heat with greater energy efficiency.
- Low simmer allows for gentle cooking for even the most delicate of sauces.
- Versatile bridge element transforms conveniently to a larger cooking surface.
- Easy to use slide touch controls offer smooth, intuitive and precise power control.
- Controls lock and spillover detection provide additional safety features.
- Independent timer for each individual cooking zone, including an egg timer.
- Automated cooking functions for simmer, keep warm and water bath, along with multiple induction cooking zones.
- Startup Booster function allows for elements to heat up more quickly to the desired heat setting, with two booster power levels for each cooking zone.
- Patent-pending Marquise Accented™ glass adds signature style and a sleek, elegant cooking surface that is easy to clean and maintain.
- Available in black or metallic silver ceramic glass.

CUE

CUTOUT REQUIREMENTS



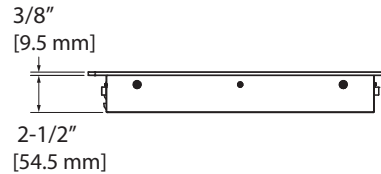
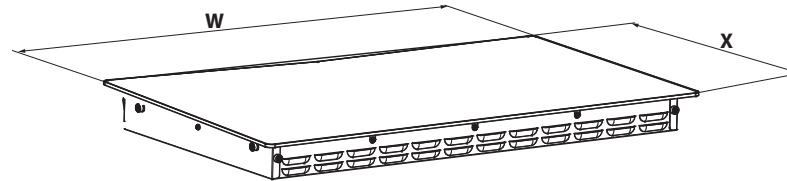
WALL COVERING CABINETS, AND COUNTERTOP MUST WITHSTAND HEAT UP TO 200° F [93° C]



COOKTOP DIMENSIONS (including frame)

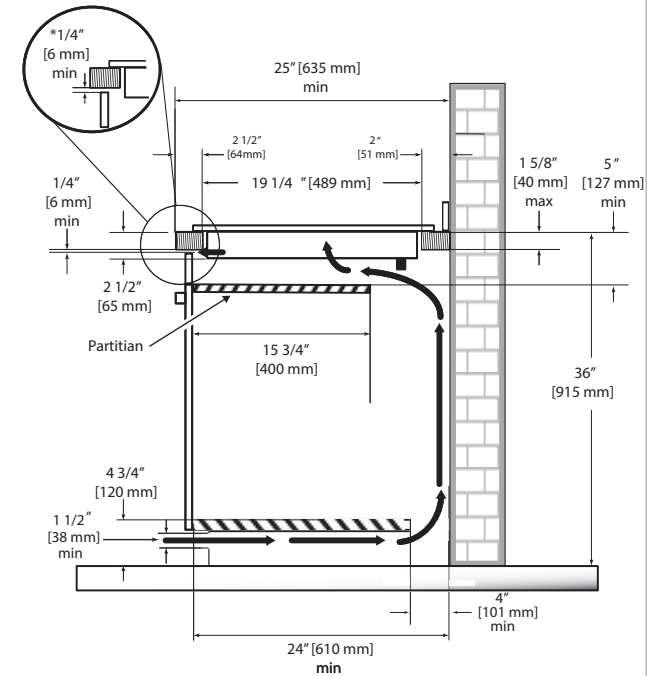
DIMENSIONS IN BRACKETS [] ARE IN CM.

MODEL	W	X
KICS30	30-5/16" [77.0]	21-3/4" [55.2]
KICS36	36-5/32" [91.8]	21-3/4" [55.2]



VERTICAL CLEARANCES

* The ventilation opening is to extend the full length of the cooktop cutout.



MODEL	A	B	C	D	E	F	G
KICS30	LENGTH OF CUT 28-3/8" [72.0cm]	LENGTH OF CUT 19-1/4" [48.9cm]	30" [76.2 cm] min	18" [45.7 cm] min Height from counter-top to nearest cabinet on either side of unit*	30" [76.2 cm] min. [see note*] Clearance from countertop to unprotected overhead surface	2" [5.1 cm] min clearance from cutout to side wall on the left and right of the unit	13" [33 cm] Depth of unprotected overhead cabinets
KICS36	LENGTH OF CUT 34-1/4" [87cm]	LENGTH OF CUT 19-1/4" [48.9cm]	36" [91.4 cm] min				

Built - In Models

Description

Cutout Dimensions

Circuit Breaker Required

Approx SHP WT (lbs)

ELECTRICAL REQUIREMENTS:

220-240V, 50/60Hz,



KICS30-__	30" Smart Induction Cooktop	28-3/8	19-1/4	40 Amp	40
KICS36-__	36" Smart Induction Cooktop	34-1/4	19-1/4	50 Amp	59

_ = BK (black glass finish) __ = MS (metallic silver finish)

Hestan Indoor products are approved for indoor use only. Hestan Commercial Corporation reserves the right to change materials and specifications without notice.



CONTACT US: www.hestanhome.com phone 888.905.7463 3375 E. La Palma Ave., Anaheim, CA 92806