

**PVC SYSTEMS INCLUDE:**

- 8 Fully directional adjustable PVC jets
- Anti-vortex safety suction
- Color matched system trim
- HydroOzone ozone sanitation system
- Rigid PVC piping
- Self draining pump and system
- Soft Touch electronic on/off control with 30-minute integral times
- 2.25 HP single speed pump
- Cable waste and overflow
- Requires 20 Amp Dedicated GFCI



The Caribe gives new meaning to the word luxury, offering an elongated, symmetrical bathing well set in a smart, rectangular deck. The Caribe is generously sized for one and a cozy habitat for two with sloping backrests at each end. Visit <http://www.hydrosystem.com> for more details on our options and accessories.



**OPTIONS**

- \*Colonial Grab Bars
- \*Integral waste and overflow (linear)
- \*Chromatherapy-LED Lighting System
- Chromatherapy-LED Mini Spotlights
- Custom jet and pump locations
- Flange - galvanized
- Skirt
- Plated Metallic finish
- Additional directional Jets
- Swirling, Rotating, or Jumbo Jets
- Micro Therapy Jet
- Integral waste and overflow (circular)
- 1.5 HP Variable Speed Pump (digital temperature display optional)
- Electronic low water protection
- In-line heater
- Back Masseur
- Neck Masseur Pillow
- Hydro Fusion
- Hydro Coat
- Hydro Express quick ship



# CARIBE

DESIGNER COLLECTION

# H | S

## As SHOWN:

Whirlpool option with standard jet location

## FEATURES SHOWN:

- Jets
- Overflow location

## ALSO AVAILABLE:

- Soaking tub only
- Whirlpool
- Thermal Air
- Combo

## SIZE:

72.36.18¾

## WATER CAPACITY:

60 Gallons

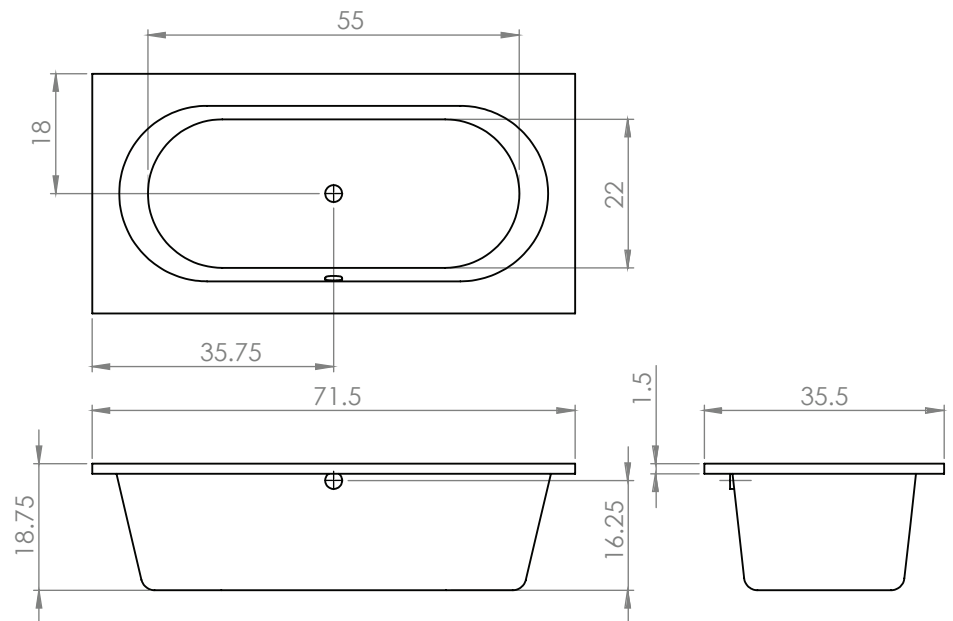
## WEIGHT:

86 Pounds



## ACRYLIC TUB

- Finished in a thick layer of lustrous Gelcoat
- Pre-wired pump on pump platform (standard pump location only)
- Integral E-Z level platform facilitates installation
- Non-skid bottom



## CODES AND COMPLIANCES

Massachusetts code File no: P1-0614-491



**HYDRO SYSTEMS**  
Family Owned And Operated Since 1978

29132 Avenue Paine, Valencia, CA, 91355  
661.775.0686 | hydrosystem.com

All specifications and options subject to change without notice please contact a Hydro Systems representative for more information. Certain options or altering the pump/blower location may cause the pump/blower to extend beyond the tub decking. For cutout dimensions wait for unit to arrive. All specifications subject to change without notice.