

# SYLVIA 6038

DESIGNER COLLECTION

H | S

## PVC SYSTEMS INCLUDE:

- 6 or 8 Fully directional adjustable PVC jets
- Anti-vortex safety suction
- Color matched system trim
- HydroOzone ozone sanitation system
- Rigid PVC piping
- Self draining pump and system
- Soft Touch electronic on/off control with 30-minute integral times
- 2.25 HP single speed pump
- Cable waste and overflow
- Requires 20 Amp Dedicated GFCI



Smooth corners make this rectangular tub come alive with graceful softness. The Sylvia makes the perfect statement in design while you relax your cares away in the ultra-deep bathing well with four recessed jumbo jets in the back rest. The Sylvia also features two rotating jets and two directional jets. Soaking and Thermal Air models will not have back jet recesses. Visit <http://www.hydrossystem.com> for more details on our options and accessories.



## OPTIONS

- Grab Bars
- Chromotherapy-LED Lighting System
- Chromotherapy-LED Mini Spotlights
- Microban Antibacterial Protection
- Extra high density fiberglass
- Custom jet and pump locations
- 6642 available less jet recess
- Armrests available
- Plated Metallic finish
- Additional directional Jets
- Swirling, Rotating, or Jumbo Jets
- Micro Therapy Jet
- Integral Waste and Overflow
- 1.5 HP Variable Speed Pump (digital temperature display optional)
- Electronic low water protection
- In-line heater
- Mood Light
- Back Masseur
- Neck Masseur Pillow
- Hydro Fragrance
- Hydro Fusion
- Hydro Coat
- Hydro Express quick ship



HYDRO SYSTEMS  
Family Owned And Operated Since 1978

29132 Avenue Paine, Valencia, CA, 91355  
661.775.0686 | hydrossystem.com

\* Indicates options that are shown (listed in order from top to bottom/ left to right)

# SYLVIA 6038



DESIGNER COLLECTION

**As SHOWN:**

Whirlpool option with standard jets

**FEATURES SHOWN:**

- Jets
- Anti-vortex suction
- Overflow location

**ALSO AVAILABLE:**

- Soaking tub only
- Whirlpool
- Thermal Air
- Combo

**SIZE:**

60.38.24

**WATER CAPACITY:**

80 Gallons

**WEIGHT:**

XXX Pounds

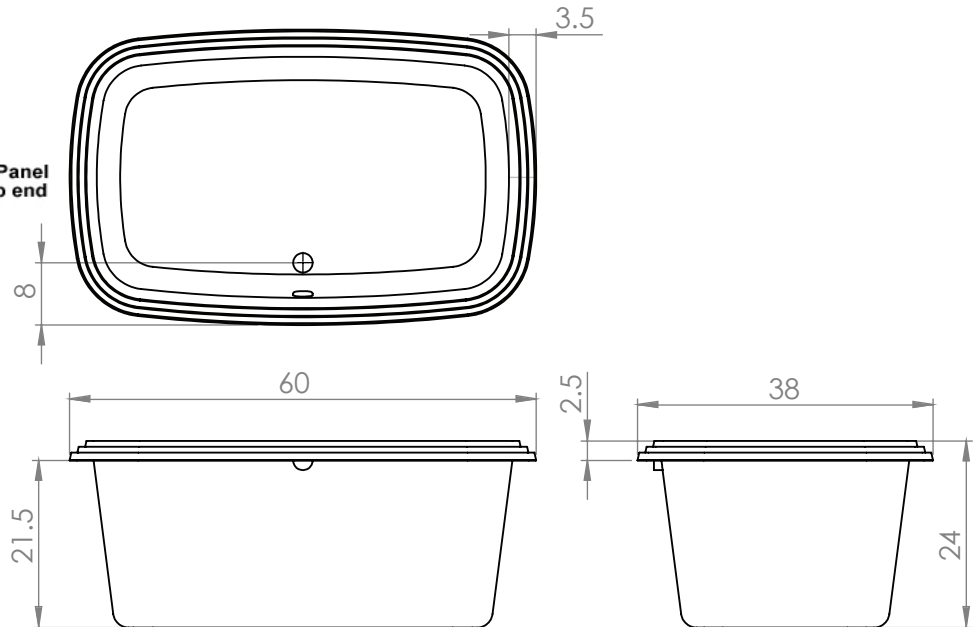
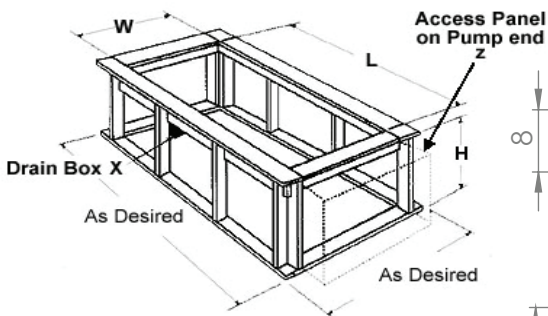
**MODEL 6038 DIMENSIONS:**

- (L)ength- 60"
- (W)idth- 38"
- (H)eight Finish- 24"



**ACRYLIC TUB**

- Acrylic models finished in 1/8" thick layer of deep lustrous acrylic
- Extra thick reinforced fiberglass
- Pre-wired pump on pump platform (standard pump location only)
- Integral E-Z level platform facilitates installation
- Non-skid bottom



**CODES AND COMPLIANCES**

Massachusetts code File no: P1-0614-491



**HYDRO SYSTEMS**  
Family Owned And Operated Since 1978

29132 Avenue Paine, Valencia, CA, 91355  
661.775.0686 | hydrosystem.com

All specifications and options subject to change without notice please contact a Hydro Systems representative for more information. Certain options or altering the pump/blower location may cause the pump/blower to extend beyond the tub decking. For cutout dimensions wait for unit to arrive. All specifications subject to change without notice.