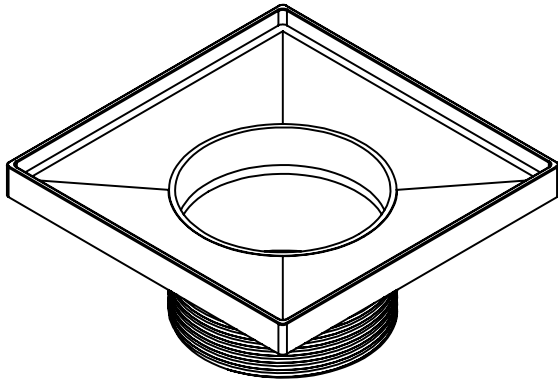


T 42 Specifications

ID Infinity Drain



T 42:

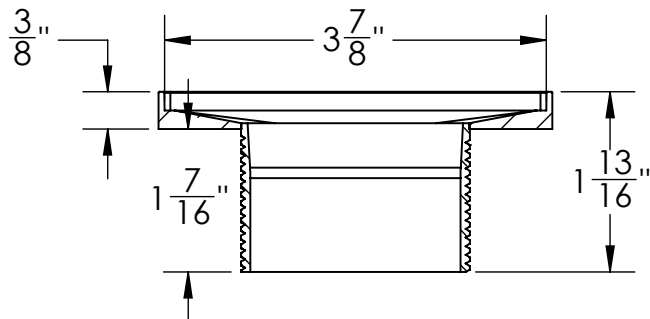
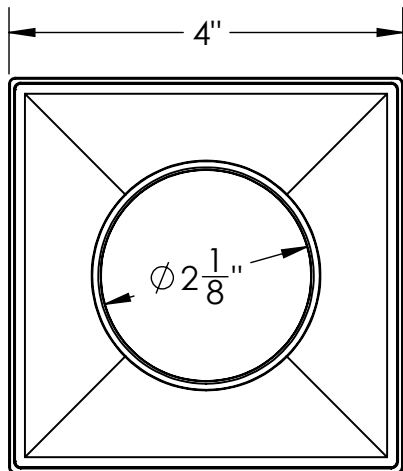
- 4" square throat with 2" outlet
- Pitched towards outlet
- 304L Stainless Steel

Kits:

- X 4, XD 4, Q 4, QD 4, M 4, MD 4, K 4, KD 4, V 4, VD 4, N 4, ND 4, W 4, WD 4

Finishes:

- Satin Stainless
- Polished Stainless
- Oil Rubbed Bronze
- Satin Bronze
- Matte Black



Infinity Drain
145 Dixon Avenue
Amityville, NY 11701
Phone: 516.767.6786
Fax: 516.740.3066
www.infinitydrain.com



NOTE: Installer must verify all rough-in dimensions prior to installation and consult local and national codes. Conformity and compliance to local and national codes are the responsibility of the installer.