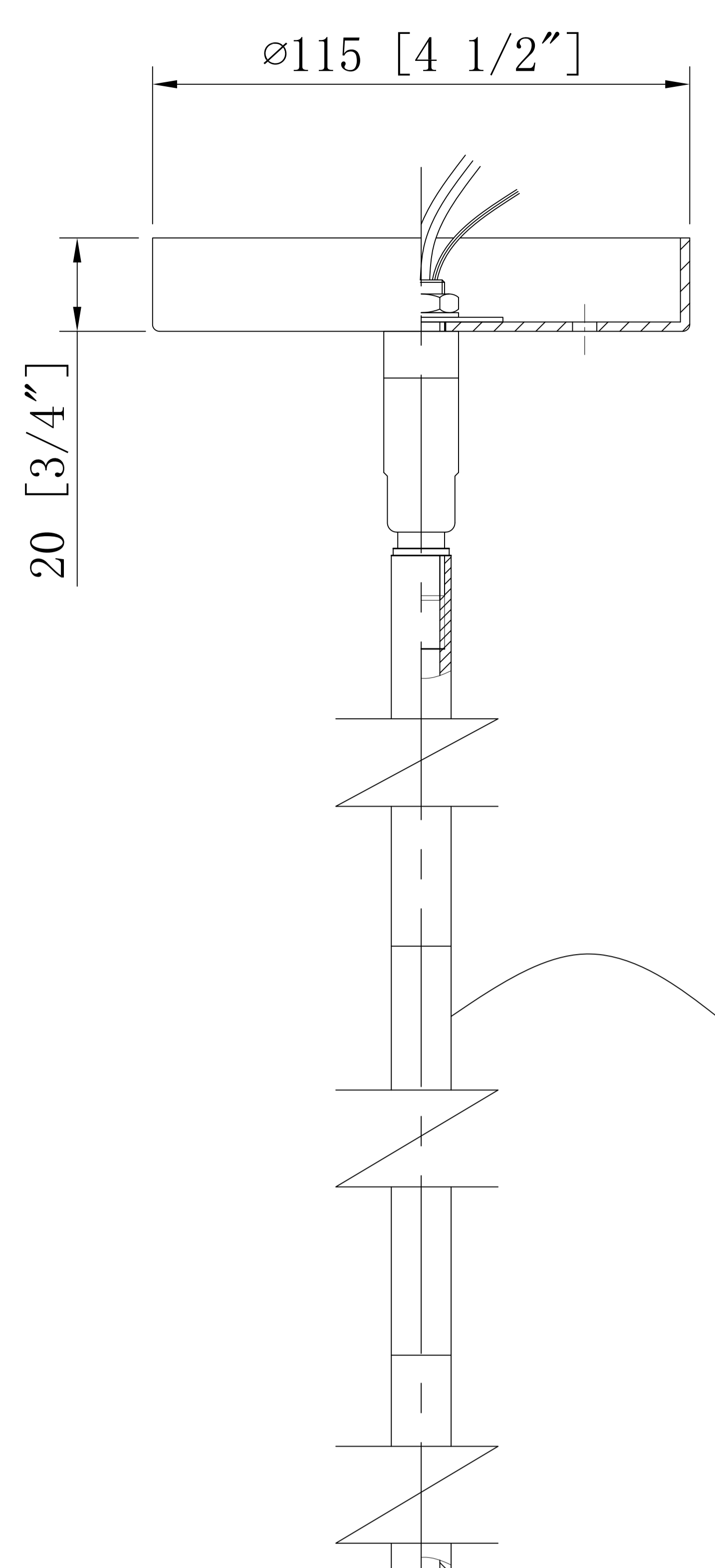


$\phi 10$  [0 3/8"]



20 [3/4"]

$\phi 115$  [4 1/2"]

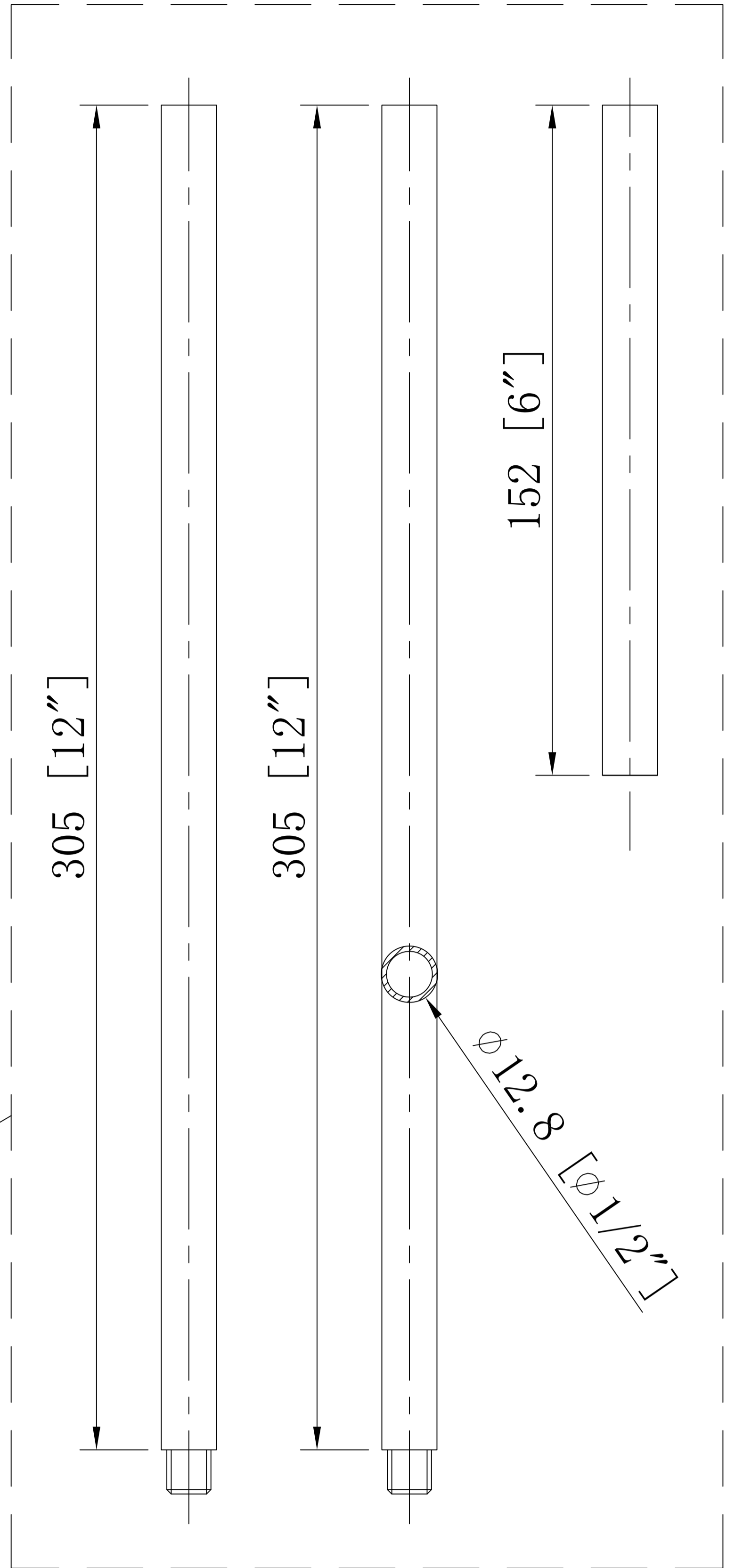
370 [14 1/2"]

305 [12"]

93 [3 5/8"]

$\phi 102$  [4"]

127 [5"]



305 [12"]

305 [12"]

152 [6"]

$\phi 12.8$  [0 1/2"]

INNOVATIONS LIGHTING  
 DESIGN COPYRIGHT - 04/06/2021  
 ALL RIGHTS RESERVED AND MAY  
 NOT BE DUPLICATED WITHOUT OUR  
 WRITTEN PERMISSION

ITEM: 423-1S-4CL (IN 12 INCH LENGTH)