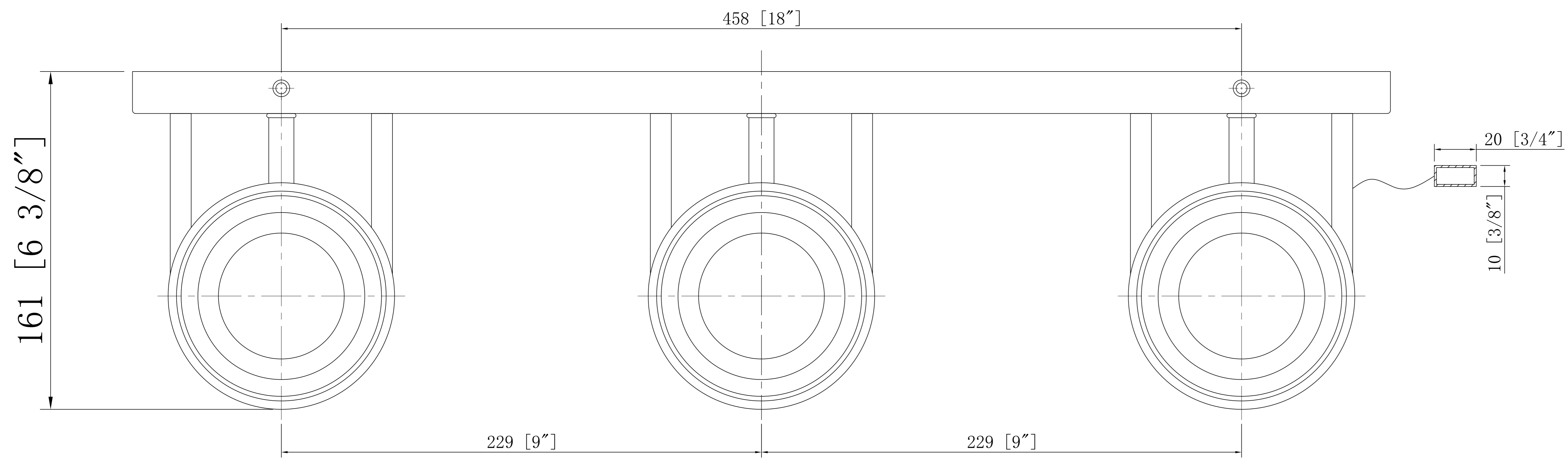
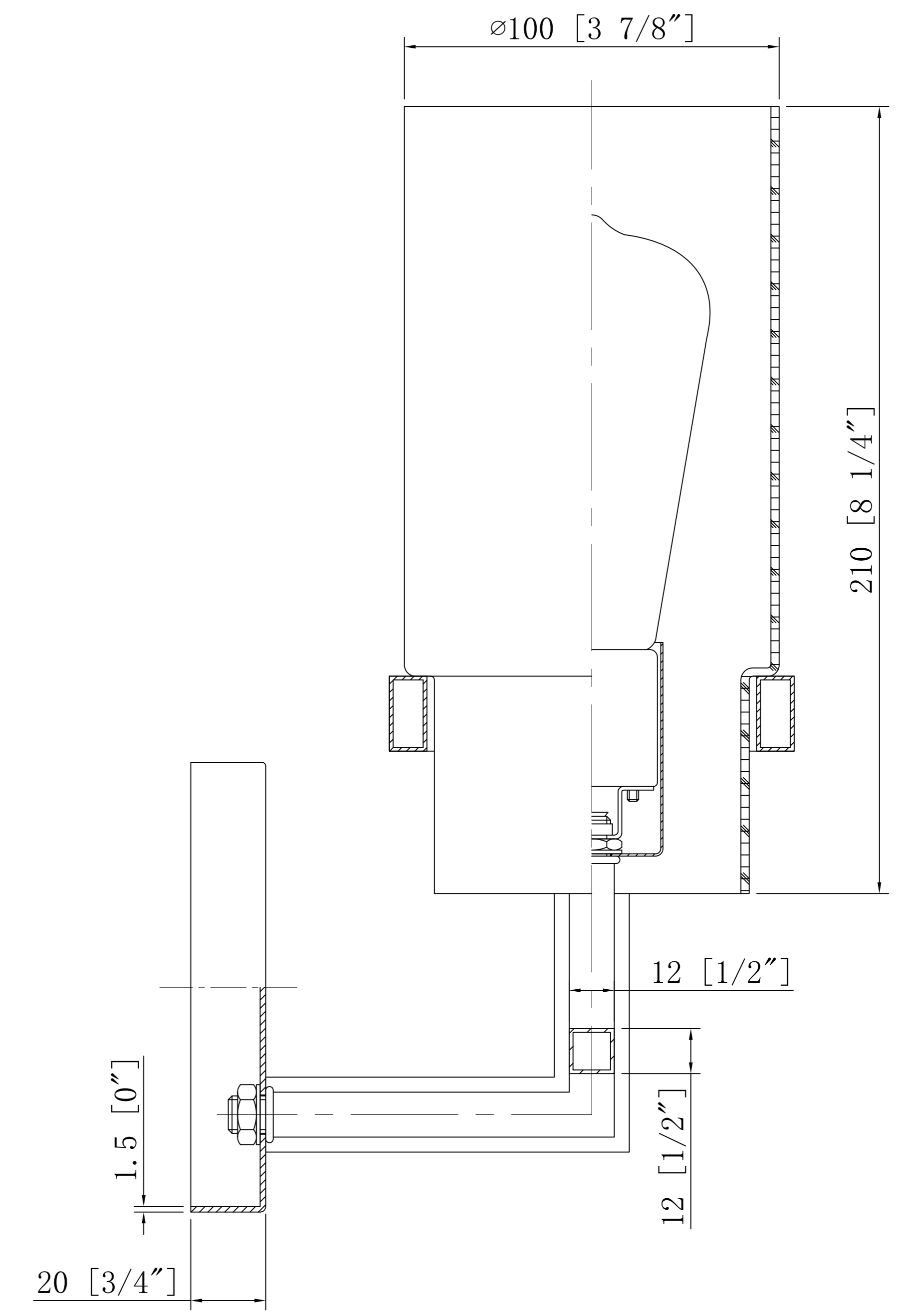
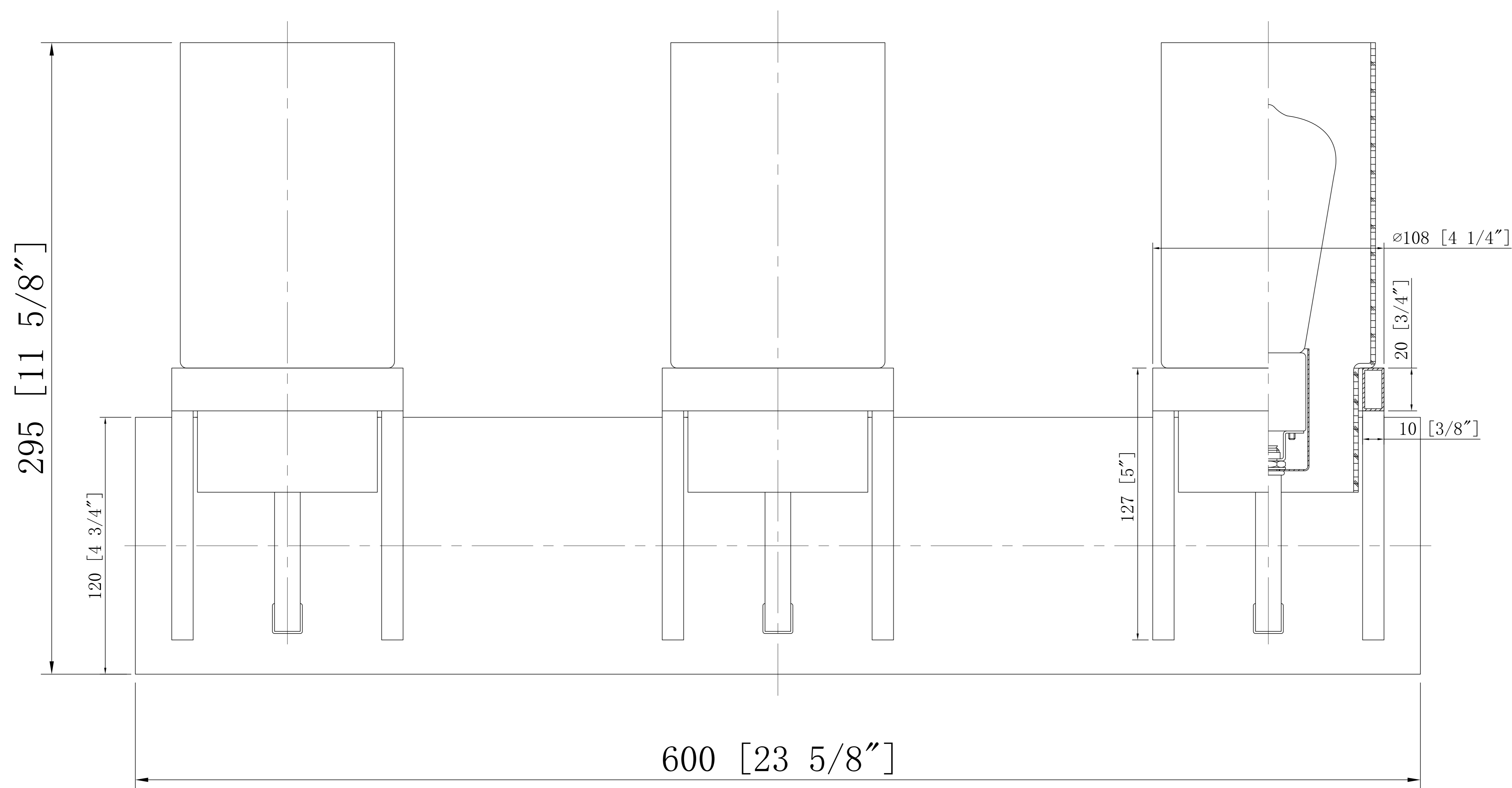
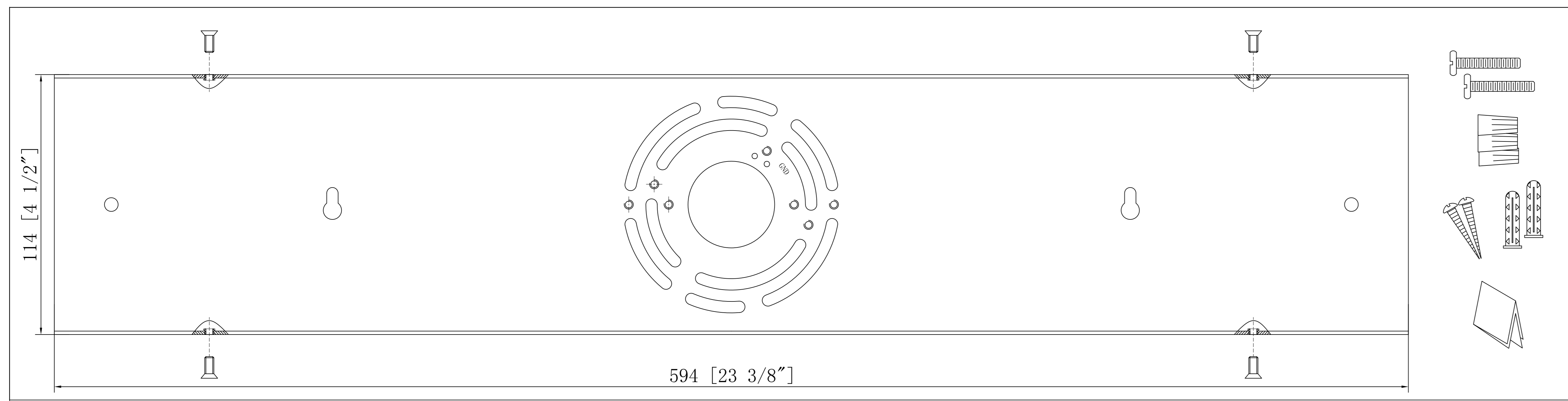


**DESIGN COPYRIGHT – 10/13/2022**  
 ALL RIGHTS RESERVED AND MAY  
 NOT BE DUPLICATED WITHOUT OUR  
 WRITTEN PERMISSION



**ITEM: 426-3W**