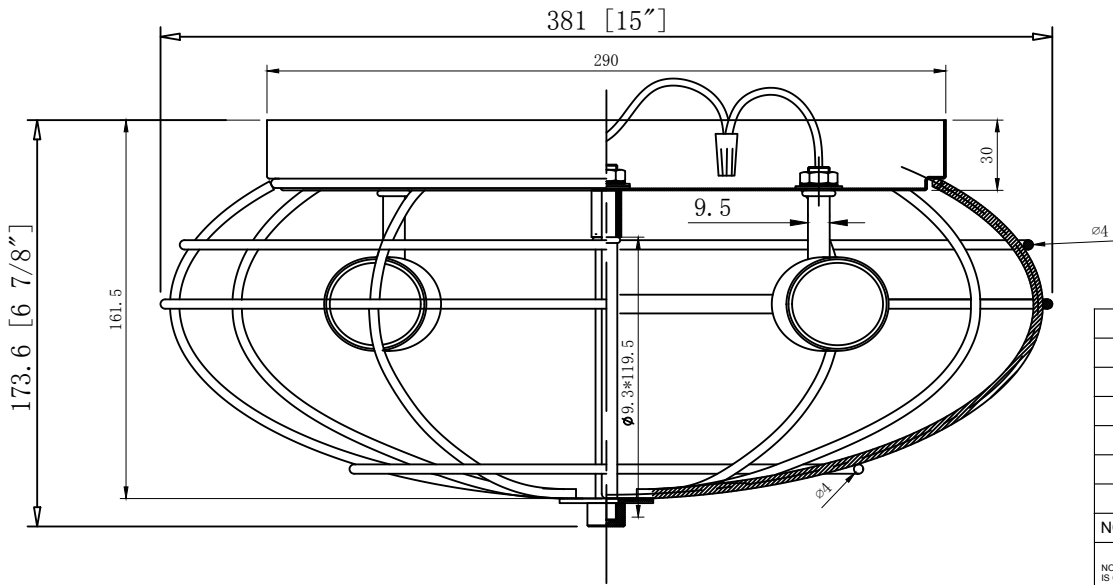
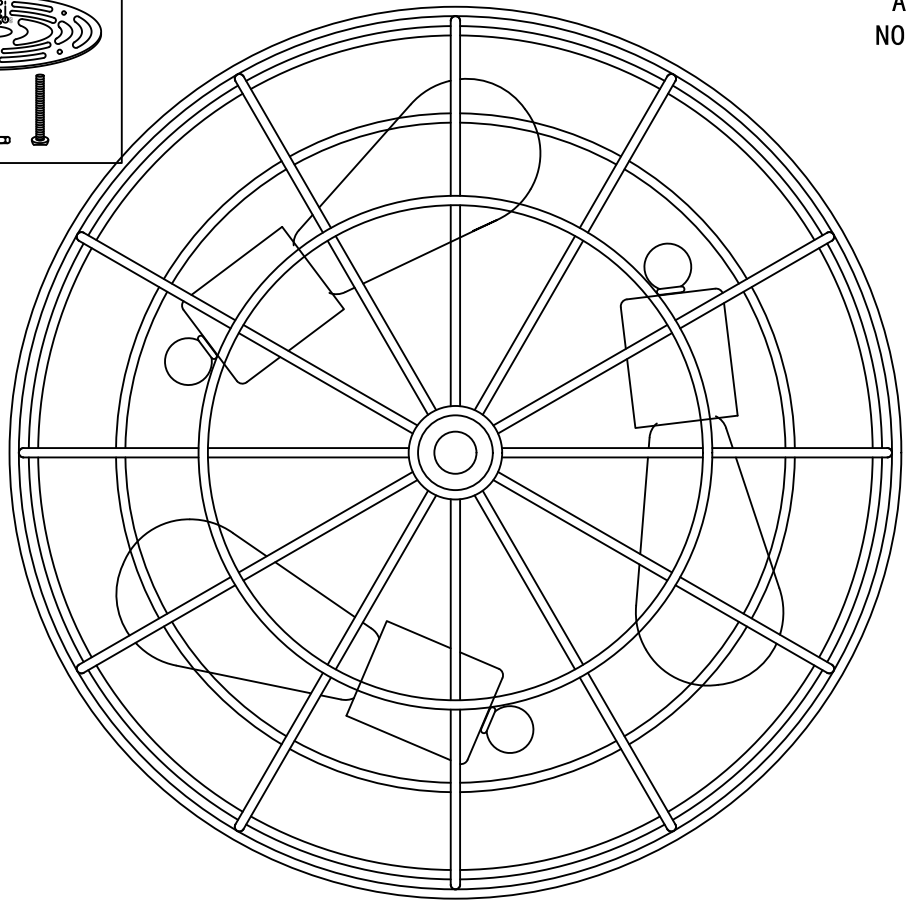


说明书



INNOVATIONS LIGHTING
 DESIGN COPYRIGHT - 10/09/2018
 ALL RIGHTS RESERVED AND MAY
 NOT BE DUPLICATED WITHOUT OUR
 WRITTEN PERMISSION



| NO. | PART NO. | DESCRIPTION | REQ. |
|-----|----------|-------------|------|
| | | | |
| | | | |
| | | | |
| | | | |
| | | | |
| | | | |
| | | | |
| | | | |
| | | | |
| | | | |

NOTICE: ANY DESIGN OR OTHER INFORMATION HEREON DEVELOPED BY THIS COMPANY IS CONFIDENTIAL MATERIAL AND EXCLUSIVE PROPERTY OF THE L.D. ALIYA CO. DISCLOSURE OR REPRODUCTION REQUIRES THE WRITTEN CONSENT OF THE L.D. ALIYA CO.



INNOVATIONS LIGHTING
 DESIGN COPYRIGHT - 10/09/2018

| | | | | |
|---|--|-------------------|----------------------|------------------|
| DRAWN IN THIRD ANGLE PROJECTION | "mm" DIMENSION INDICATED IN [] DIMENSION IN [] IS FOR REF. ONLY | | | |
| | TOLERANCES (EXCEPT AS NOTED) | | | |
| | DECIMAL NONE ±.031 .X ±.015 .XX ±.010 .XXX ±.005 | ANGULAR ± 1/2° | FRACTIONAL ± 1/32 | SCALE 1:7 |
| | DATE 10/15/2020 | DRAWN BY | CHECKED BY X | APPROVED BY X |

| | | |
|----------|---------------|--------|
| TITLE | | |
| PART NO. | ceiling light | REV. |
| ITEM NO. | 510-3C | REV. A |