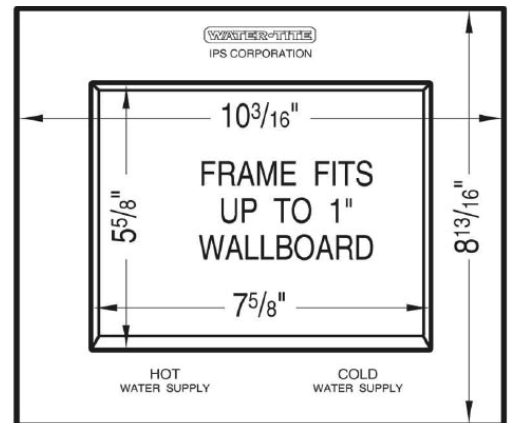
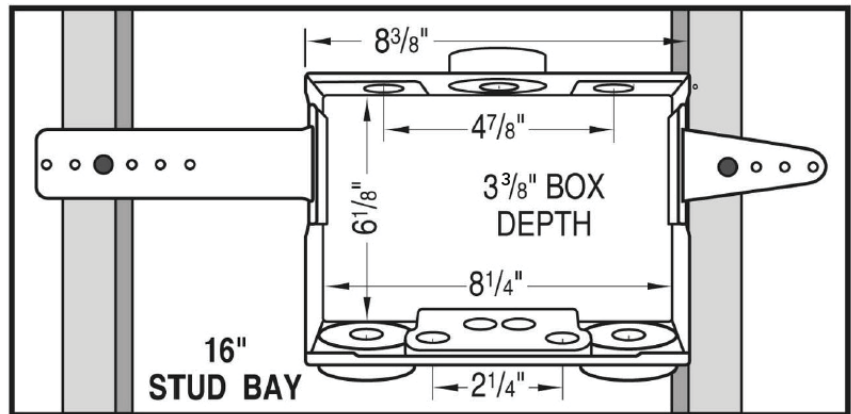
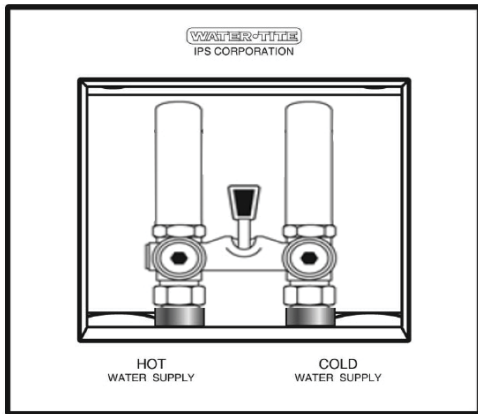


SPECIFICATION SUBMITTAL SHEET



**DUAL-DRAIN WASHING MACHINE OUTLET BOX**  
With Single Lever Hammer Arrester Valve



**Specifications:**

Furnish and install DU-ALL™ dual-drain washing machine outlet box with single lever hammer arrester valve. DU-ALL box may optionally be installed as top-mount unit. Unit shall be Water-Tite product code checked below, as manufactured by IPS Corporation.

Product ✓ Code	Product Description	Model Number	Case/Qty
85701	Single-lever Arrester Valve, Installed, 1/2" Sweat Conx.	W2800HA	10
85717	Single-lever Arrester Valve, Installed, 1/2" CPVC Conx.	W2801HA	10
85719	Single-lever Arrester Valve, Installed, 1/2" PEX Conx.	W2802HA	10
85748	Single-lever Arrester Valve, Installed, 1/2" Wirsbo® Conx.	W2811HA	10
<b>Contractor Pack</b>			
85702	Single-lever Arrester Valve, Installed, 1/2" Sweat Conx.	W2800HACP	20
85718	Single-lever Arrester Valve, Installed, 1/2" CPVC Conx.	W2801HACP	20
85749	Single-lever Arrester Valve, Installed, 1/2" Wirsbo® Conx.	W2811HACP	20

