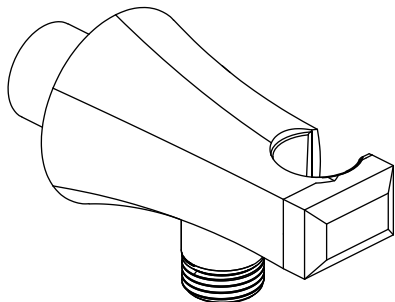


**230.8006 | Wall Elbow With Holder Combo**

**SPECIFICATIONS:**

- Solid Brass Construction
- Includes Check Valve with back flow prevention.



Legislation Compliance



ZeroDrip Technology



**Technical Diagram**

