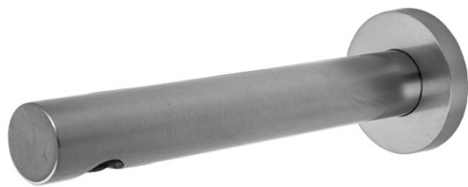


INSTALLATION INSTRUCTIONS

Contempo Single Lever Wall Faucet Trims
Part #'s: 8110-L-TRIM, 8220-L-TRIM



8110-L-TRIM



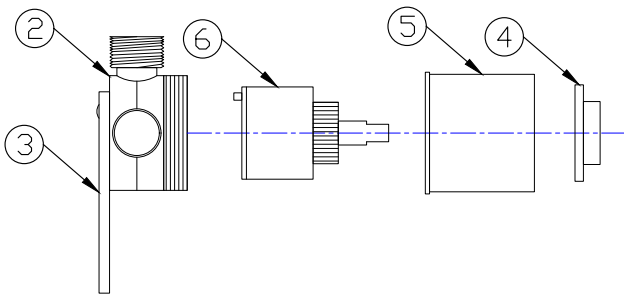
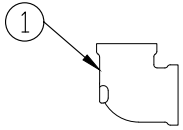
8220-L-TRIM

PRE-INSTALL NOTES

This wall faucet can be installed with the spout and valve in any location. Installer must provide 1/2" street elbows (if used) and piping from valve to spout.

*NOTE: NO EXTENSION AVAILABLE

ROUGH VALVE (6660-RGH)



VALVE COMPONENTS	
1	Drop Ell (Spout Rough Assembly)
2	Valve Body
3	Mounting Bracket
4	Cartridge Lock Nut (Retain for trim install)
5	Rough-In Collar
6	Cartridge

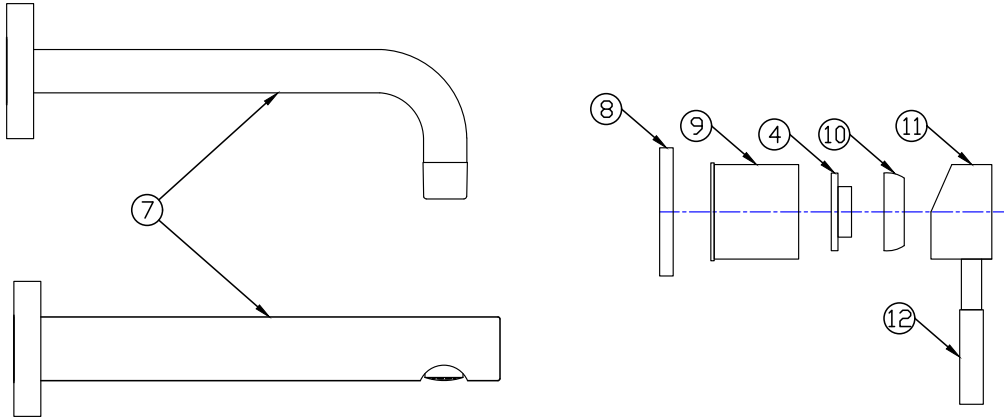
VALVE ROUGH INSTALLATION

1. Determine location of spout and valve.
2. Build blocking for valve (2) to finished wall as per **Figure 1**. Front brass is 3/4" from finished wall (critical). (No extension available)
3. Attach spout and valve rough assembly to blocking with suitable fasteners. **Figure 2**
4. Remove cartridge lock nut (4) and cartridge (6). (DO NOT DISREGARD)
5. Plumb mixing valve attaching hot and cold water lines to inlets on valve. **Figure 3**
6. Reinstall cartridge (6) and cartridge locknut (4), put in off position, and turn on water supplies and check for leaks.

SPOUT ROUGH INSTALLATION

1. Build blocking for drop ell (1) so that it is 1" behind finished wall and secure with suitable fasteners.
2. Pipe from valve to drop ell location.

FAUCET TRIM (8110-L-TRIM OR 8220-L-TRIM)



TRIM COMPONENTS	
7	Spout & Flange - A-428 OR 8110-WALL-SPOUT
8	Valve Escutcheon - A257-RING
9	Collar - A257-COL
10	Cap (Requires Cartridge Lock Nut from Rough) - A257-CAP
6	Cartridge - 6660-CART-RGH
11	Handle
12	Handle Lever

TRIM INSTALLATION

1. Turn off water supplies.
2. Unscrew cartridge lock nut (6) from valve body (2) and screw into back of the cap (10)
3. Unscrew brass rough-in collar (5) and discard. Cartridge will come off.
4. Attach cap (10) to finished collar (9).
5. Re-install cartridge (6) making sure o-ring is intact, and nibs on back of cartridge align with detents in valve.
6. Install collar/cap over cartridge and onto valve body (2). *HINT - hold cartridge in place with one finger while screwing the cap on*
7. Slip valve escutcheon over collar flush with wall.
8. Unscrew lever (12) from handle (11) and place on safe/clean surface.
9. Attach handle (11) to cartridge (6) with set-screw.
10. Re-attach lever (12) onto handle (11)

FIG. 1

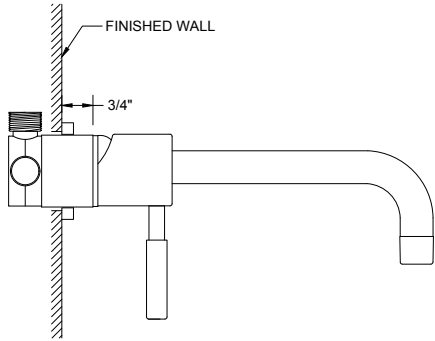


FIG. 2

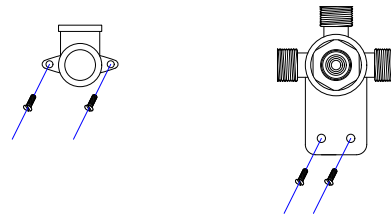


FIG. 3

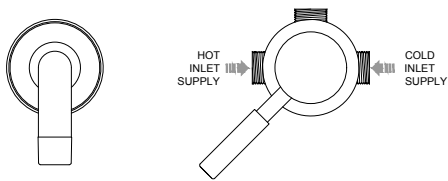


FIG. 4

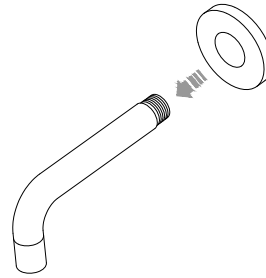


FIG. 5

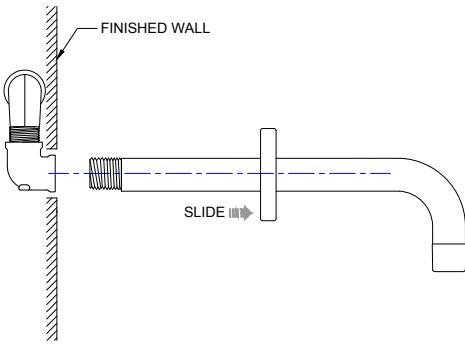


FIG. 6

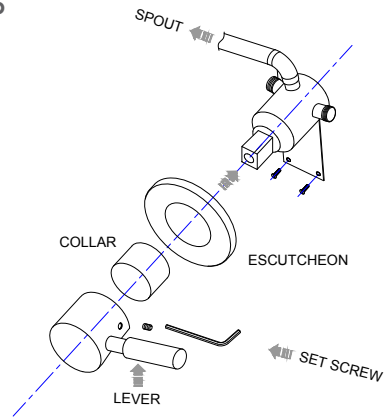
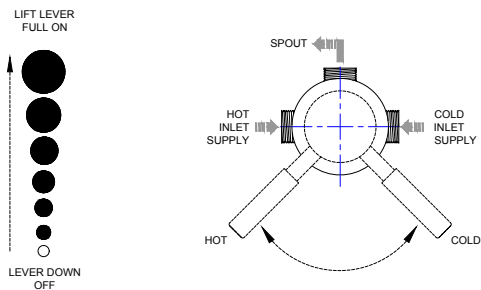
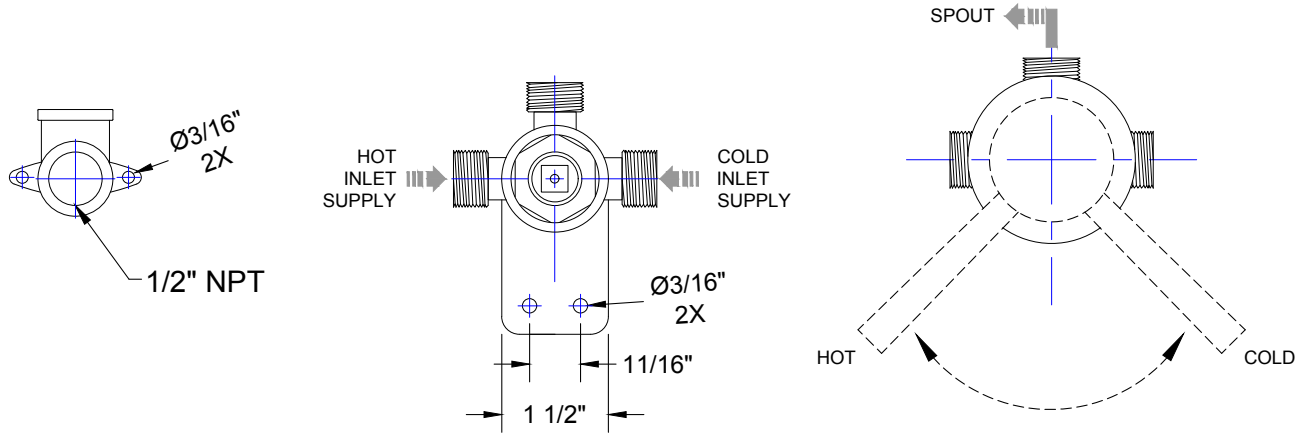


FIG. 7

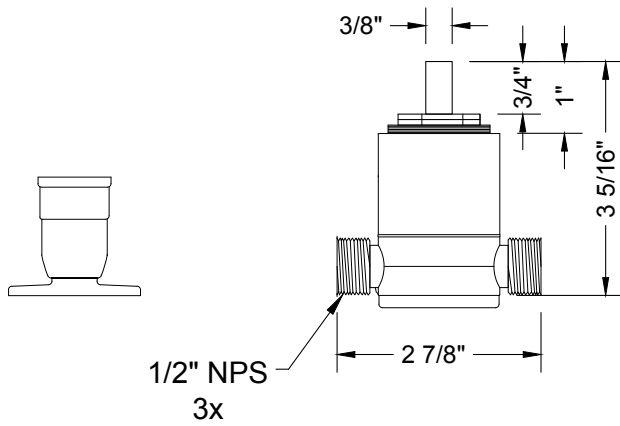


ROUGH VALVE SPECIFICATIONS

FRONT VIEW



TOP VIEW



Over Fifty Years of Excellence Proud to be an American Company



CARE INSTRUCTIONS

In order to maintain the high quality finish of JACLO products, please adhere to the following product care instructions:

Cleaning JACLO products: For routine cleaning, simply use a soft damp cloth and common household soap, then rinse and dry. Proper care of your product is important because most water contains calcium that deposits on surfaces, forming unpleasant spots. This can be avoided by routine cleaning and drying after every use. Use only mild soap detergents. JACLO products may be periodically waxed with non abrasive compounds, such as Flitz® faucet wax.

Never use abrasive cleaners, bleach, disinfectants or cleaning products containing alcohol, ammonia, hydrochloric or phosphoric acids as they will damage the product finish.

Please note: Your product warranty may not be valid if the above cleaning guidelines are not followed.

WARRANTY

Residential Warranty: Your new plumbing fixture is warranted by **JACLO INDUSTRIES**, 129 Dermody Street, Cranford, NJ 07016. This warranty is extended to original consumer purchasers only. This warranty gives you specific legal rights, and you may also have other rights which vary from state to state.

The product (including the finish on the product but excluding any custom finishes and any installation hardware not supplied by JACLO) is warranted to be free from defects in material or workmanship under normal use and service for the lifetime* of the fixture, so long as the original consumer purchaser owns it. JACLO's sole obligation under this or any other warranty is limited to repairing or replacing at JACLO's option, without labor, any part or parts of the fixture which fail to conform to such warranty.

JACLO WILL NOT BE LIABLE FOR ANY CONSEQUENTIAL OR INCIDENTAL DAMAGES CAUSED BY A BREACH OF THIS OR ANY OTHER WARRANTY.

Some states do not allow the exclusion of limitation of incidental or consequential damages, so the above limitation may not apply to you.

To secure warranty performance, the original consumer purchaser must have the fixture properly and professionally installed in accordance with all codes and installation instructions.

Items and actions that will void the JACLO warranty are:

- Abuse, misuse, neglect and accidental damage
- Improper cleaning, care and maintenance of the fixture
- Alteration of the fixture in any way including removal of a flow regulator/restrictor

All warranty claims must be made in accordance with the JACLO return policy (see below).

JACLO does not authorize any distributor, retailer or other person to modify this warranty or assume any liability on its behalf with respect to it. Any question regarding the operation of warranty should be addressed to JACLO's warranty department.

*Due to the unpredictable environment, all kitchen drains, strainers and garbage disposal flanges are warranted for the period of one year from date of purchase from an authorized JACLO dealer.

Un-lacquered Brass (ULB) is a living finish and is excluded from any finish warranty.

Commercial Warranty: JACLO offers the above warranty for a period of one year from date of purchase to purchasers of products for industrial, commercial, business and all non-private residential uses.