

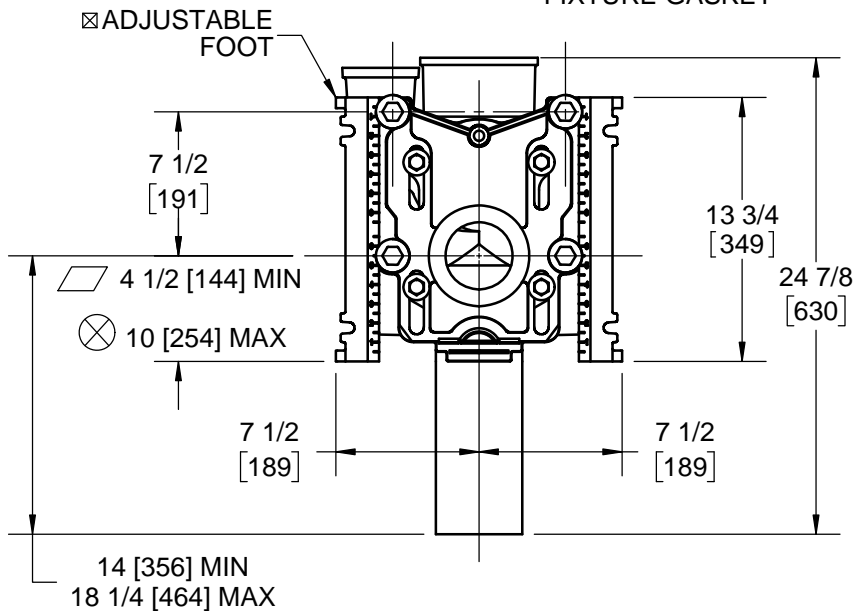
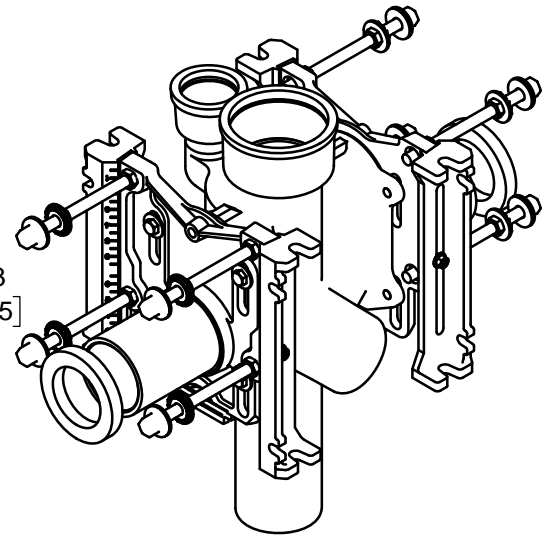
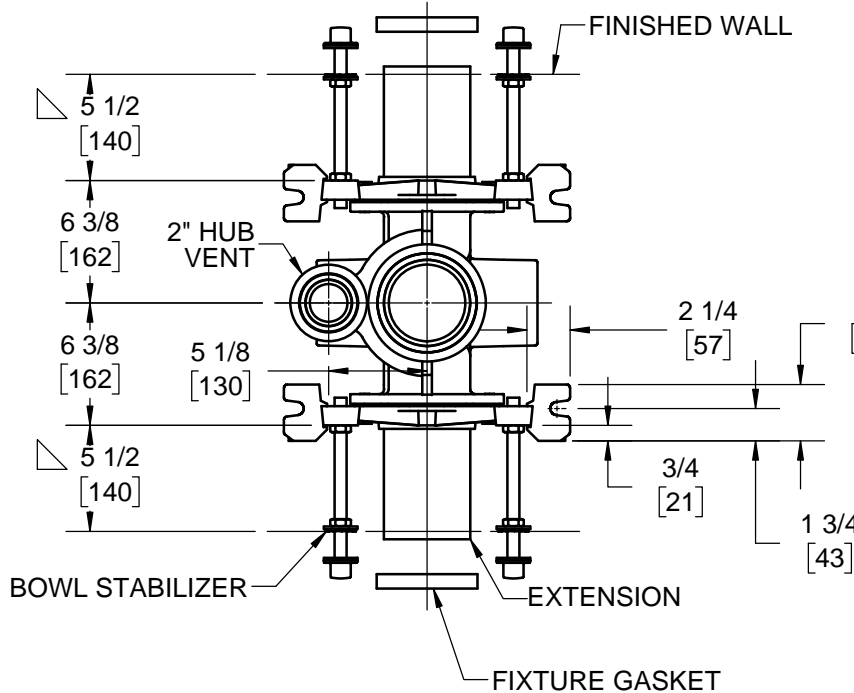
SPECIFICATION:

JOSAM 12724-HS SERIES COATED CAST IRON DOUBLE VERTICAL 4" HUB & SPIGOT FITTING WITH 2" HUB & SPIGOT OFFSET VENT, ADJUSTABLE CARRIER BODY, INVERTIBLE FOR SIPHON JET OR BLOWOUT CLOSETS, WITH ABS EXTENSION WITH INTEGRAL TEST CAP, PYLON FEET, ANCHOR FOOT, PLATED HARDWARE AND NEOPRENE FIXTURE GASKET.

**CLOSET CARRIER
VERTICAL BACK-TO-BACK**

SERIES **12724-HS**

FORMERLY 12154A SERIES



△ FOR DIMENSION SHORTER THAN 5-1/2" (1" MIN) CUT EXTENSION. FOR LONGER EXTENSION (10-1/2" MAX) SPECIFY (-10)

☒ RECOMMEND FEET BE SECURED TO FLOOR WITH 1/2" BOLTS AND ANCHORS (BY OTHERS).

⊗ FOR SIPHON JET ROUGHING OVER 6" OR BLOWOUT ROUGHING OVER 12-1/2" SPECIFY ON ORDER.

SIPHON JET DIMS SHOWN. FOR BLOWOUT DIMS, USE:

▱ MIN 11" & MAX 16-1/2"

	-XSD	EXTRA SPECIAL-DUTY 1,000 LB CARRIER
	-PF	PYLON FOOT, STD.
	-OR	O-RING CARRIER
X	-HS	HUB & SPIGOT
	-HVS4	VENT SIDE 4" HUB BRANCH
	-HD4	DOUBLE 4" HUB BRANCHES
	-VP	VANDAL-PROOF TRIM
	-1	POSITIONING FRAME
	-6	SUPPLY PIPE SUPPORT (SPECIFY TYPE OF PIPE)
	-10	ABS EXTENSION THROUGH 10-1/2" WALL

	-24	FLOOR MOUNTED BACK OUTLET CHINA BOWL
	-30	CAST IRON ADJ. EXTENSION W/ CONNECTOR
	-30-2	CAST IRON ADJ. EXTENSION W/ CONNECTOR & TEST CAP
	-32	CARRIER FOR WIDE CHASE INSTALLATIONS
	-35	CARRIER FOR WHEELCHAIR HIGH ROUGH
	-49	2" NO-HUB AUXILIARY INLET, UNDER VENT
	-50	2" NO-HUB AUXILIARY INLET, OPPOSITE VENT
	-53	2" THREADED AUXILIARY INLET, UNDER VENT
	-54	2" THREADED AUXILIARY INLET, OPPOSITE VENT

WARNING: Cancer and Reproductive Harm - www.P65Warnings.ca.gov

DATE OF LAST CHANGE: 5/30/18

DIMENSIONS ARE SUBJECT TO MANUFACTURERS TOLERANCES AND CHANGE WITHOUT NOTICE. WE CAN ASSUME NO RESPONSIBILITY FOR USE OF SUPERSEDED OR VOID DATA.

JOSAM
MICHIGAN CITY, INDIANA

NOTES