

SPECIFICATION:

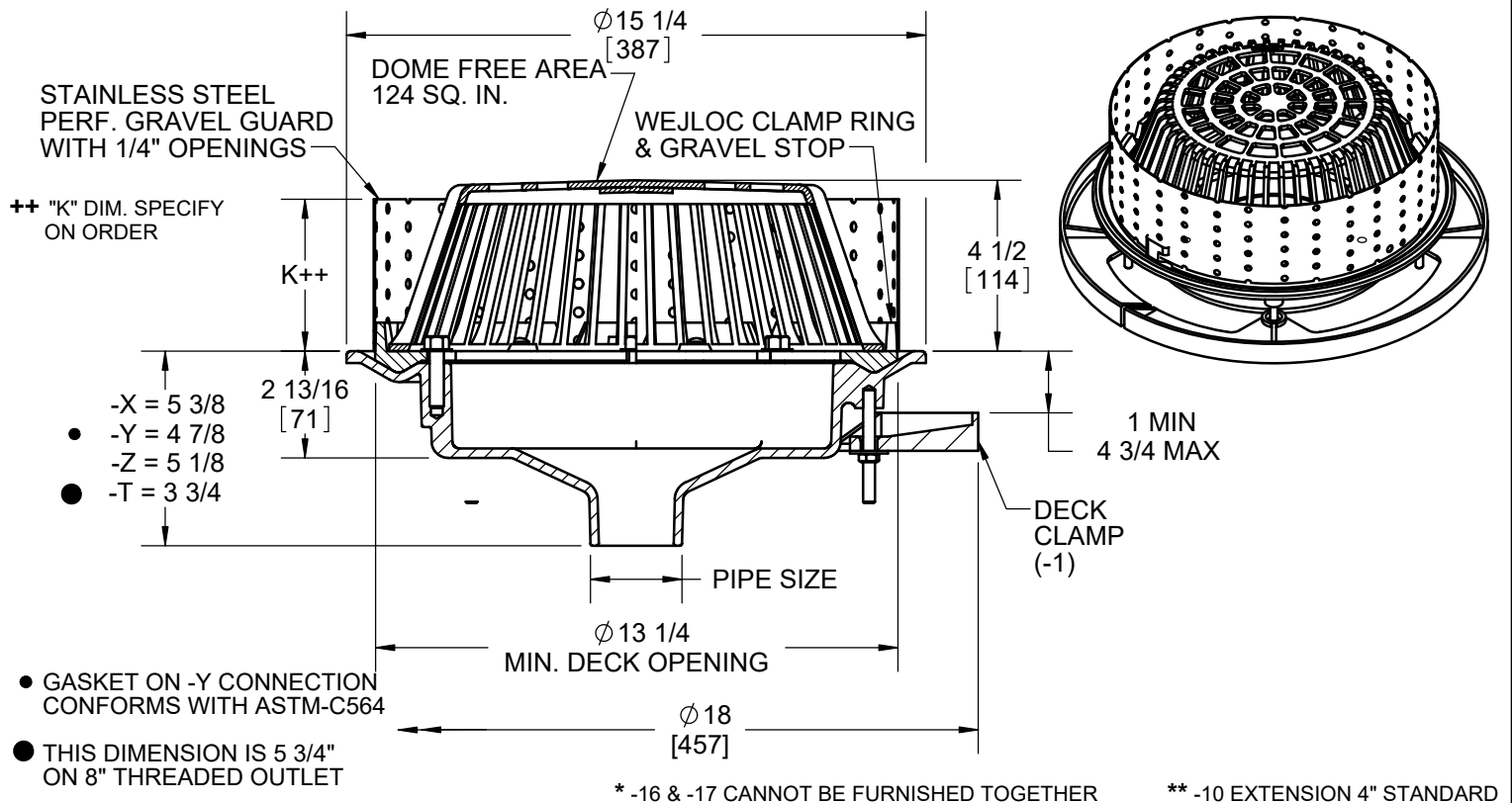
JOSAM 21500-19 SERIES COATED CAST IRON ROOF DRAIN, LARGE POLYPROPYLENE LOCKING DOME, WEJLOC® NON-PUNCTURING CLAMP RING WITH INTEGRAL GRAVEL STOP AND STAINLESS PERFORATED GRAVEL GUARD, LARGE SUMP WITH WIDE ROOF FLANGE AND BOTTOM OUTLET.

ROOF DRAIN

LARGE SUMP, STAINLESS GRAVEL GUARD

SERIES

21500-19



	2"	PIPE SIZE			-3	DECK CLAMP ASY. AND DRAIN RECEIVER
	3"	PIPE SIZE			-3C	DRAIN RECEIVER AND DRAIN RECEIVER CLIPS
	4"	PIPE SIZE			-6	EXTRA WIDE FLANGE DRAIN BODY (-X OUTLET ONLY)
	5"	PIPE SIZE			-10	FIXED EXT. COLLAR, CAST IRON (SPECIFY HEIGHT **)
	6"	PIPE SIZE			-10-20	FIXED EXT. COLLAR, GALVANIZED (SPECIFY HEIGHT **)
	8"	PIPE SIZE			-16*	INTERNAL WATERGUARD (2" THRU 6" OUTLETS ONLY)
	10"	PIPE SIZE (AVAILABLE IN NO-HUB ONLY)			-17*	2" HIGH SOLID CLAMPING COLLAR
				X	-19	CLAMP COLLAR W/PERF. STAINLESS GRAVEL GUARD
	-X	INSIDE CAULK OUTLET			-20	GALVANIZED CAST IRON PARTS
	-Y	HUB OUTLET W/GASKET (2", 3" & 4" SIZES ONLY)			-22	CAST IRON DOME
	-Z	NO-HUB SPIGOT OUTLET			-22 -21	GALVANIZED CAST IRON DOME ONLY
	-T	THREADED OUTLET			-23	ROUGH BRONZE DOME
					-26	ALUMINUM DOME
	-AE	THREADED LEVEZE® ADJ. EXT.			-33	STAINLESS STEEL MESH-COVERED DOME
	-AER	ADJUSTABLE EXT. USING THREADED RODS			-66	NO-HUB SIDE OUTLET (2" THRU 6" OUTLETS ONLY)
	-IRMA	PERFORATED STAINLESS STEEL EXT.				
	-CR	CLAMPING DRAIN RECEIVER (MIN. DECK OPENING ϕ 16")			-VP	VANDAL-PROOF DOME
	-1	DECK CLAMP ASY.				
	-1C	DRAIN RECEIVER CLIPS (MIN. DECK OPENING ϕ 16")				
	-2	DRAIN RECEIVER				

WARNING: Cancer and Reproductive Harm - www.P65Warnings.ca.gov

DATE OF LAST CHANGE: 02/11/20

DIMENSIONS ARE SUBJECT TO MANUFACTURERS TOLERANCES AND CHANGE WITHOUT NOTICE. WE CAN ASSUME NO RESPONSIBILITY FOR USE OF SUPERSEDED OR VOID DATA.



NOTES