

SPECIFICATION:

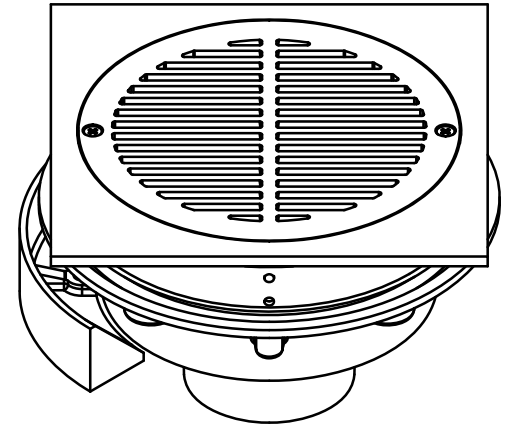
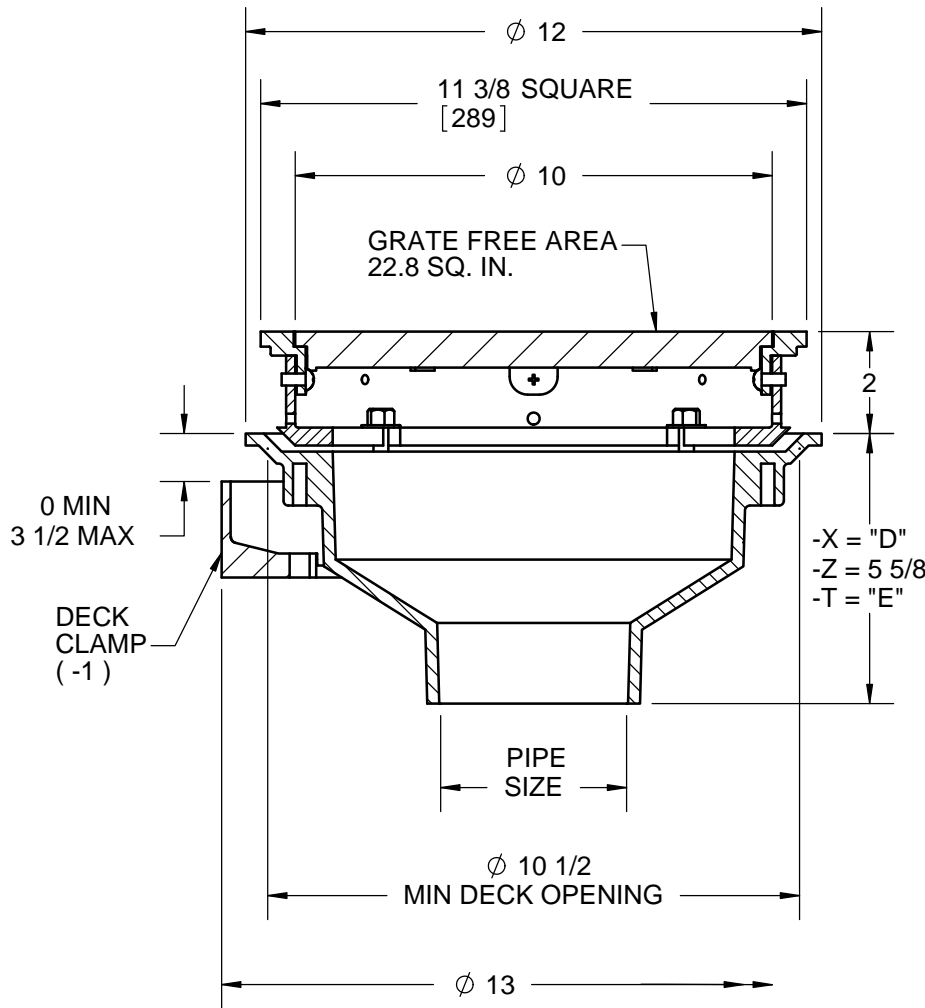
JOSAM 23710 SERIES COATED CAST IRON ROOF DRAIN, ROUND PEDESTRIAN GRATE SET IN SQUARE SECURED FRAME, NON-PUNCTURING FLASHING COLLAR WITH WEEPHOLES FOR ROOF FILL, MEDIUM SUMP WITH WIDE ROOF FLANGE AND BOTTOM OUTLET.

ROOF DRAIN
MEDIUM SUMP, PROMENADE TOP

SERIES **23710**

SLOT WIDTH 1/4

THIS DRAIN IS COMPLIANT WITH THE ANSI/ASME STANDARD A112.6.3-2001 FOR HEEL-RESISTANT STRAINERS AND THE MAXIMUM GRATE SLOT SIZE BE 5/16" (8mm)



** -12 EXTENSION 1" STANDARD

2"	PIPE SIZE [DIM "D" = 4 3/4", DIM "E" = 6 1/4"]	-1	DECK CLAMP ASY.
3"	PIPE SIZE [DIM "D" = 4 3/4", DIM "E" = 6 1/4"]	-1C	DRAIN RECEIVER CLIPS (MIN. DECK OPENING ϕ 13.75")
4"	PIPE SIZE [DIM "D" = 4 1/2", DIM "E" = 6 1/4"]	-2	DRAIN RECEIVER
5"	PIPE SIZE [DIM "D" = 4 3/8", DIM "E" = 6"]	-3	DECK CLAMP ASY. AND DRAIN RECEIVER
6"	PIPE SIZE [DIM "D" = 4", DIM "E" = 5 3/4"]	-3C	DRAIN RECEIVER AND DRAIN RECEIVER CLIPS
		-12	EXTENSION FLASHING COLLAR, CAST IRON (SPECIFY HEIGHT **)
-X	INSIDE CAULK OUTLET	-20	GALVANIZED CAST IRON PARTS
-Z	NO-HUB SPIGOT OUTLET	-50	SATIN FINISH NIKALOY TOP
-T	THREADED OUTLET	-51	SATIN FINISH BRONZE TOP
		-66	NO-HUB SIDE OUTLET
		-VP	SECURED GRATE, VANDAL-PROOF SCREWS

DATE OF LAST CHANGE: 6/27/18

DIMENSIONS ARE SUBJECT TO MANUFACTURERS TOLERANCES AND CHANGE WITHOUT NOTICE. WE CAN ASSUME NO RESPONSIBILITY FOR USE OF SUPERSEDED OR VOID DATA.

JOSAM
MICHIGAN CITY, INDIANA

NOTES