

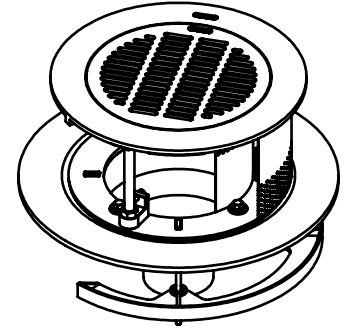
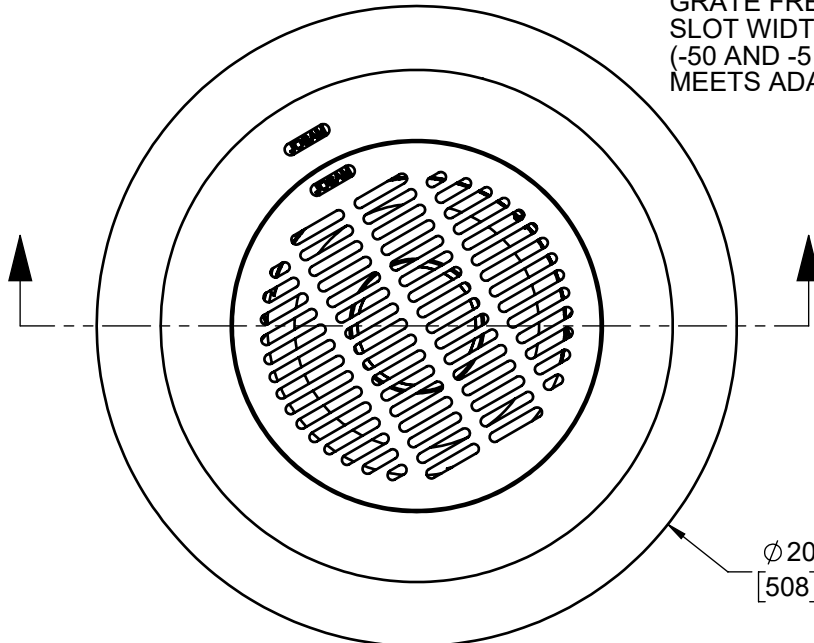
**SPECIFICATION:**

JOSAM SERIES 24200 COATED CAST IRON ADJUSTABLE "ALL-LEVEL" DRAIN, ROUND PEDESTRIAN GRATE SET IN ROUND ANCHORED FRAME LEVELLED ON ADJUSTABLE THREADED RODS, REMOVABLE PERFORATED STAINLESS STEEL FILTER, CONCRETE FORMING AND RETAINING RING, CAST IRON NON-PUNCTURING CLAMP RING, LARGE SUMP WITH WIDE FLANGE AND BOTTOM OUTLET INSIDE-CAULK (-X TYPE) CONNECTION.

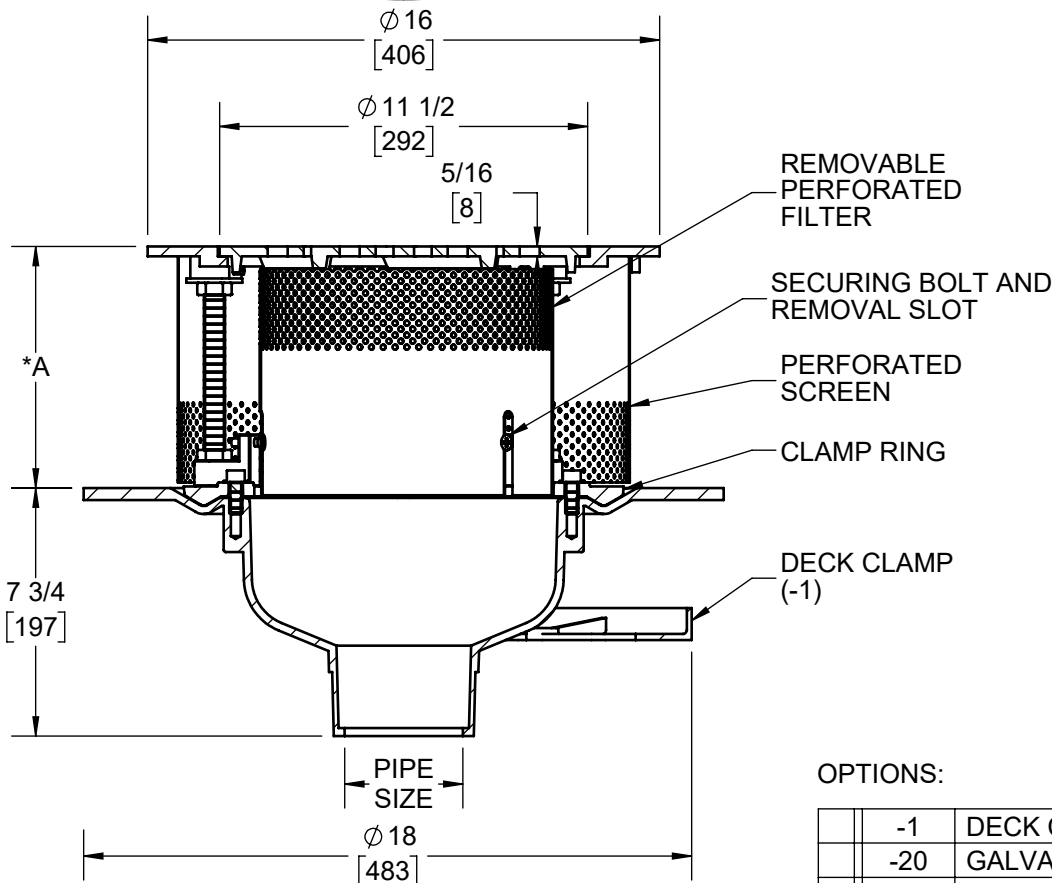
**DRAIN  
PROMENADE TOP  
WIDE FLANGE**

SERIES **24200**

GRATE FREE AREA: 30.2 SQ. IN.  
SLOT WIDTH: 3/16"  
(-50 AND -51 SLOT WIDTH: 1/4" IN)  
MEETS ADA AND HEEL-PROOF REQS.



(SCREENS CUT AWAY)



- REMOVABLE PERFORATED FILTER
- SECURING BOLT AND REMOVAL SLOT
- PERFORATED SCREEN
- CLAMP RING
- DECK CLAMP (-1)

PIPE SIZE
2"
3"
4"
5"
6"

**OPTIONS:**

-1	DECK CLAMP ASSY
-20	GALVANIZED CAST IRON PARTS
-50	SATIN FINISH NIKALOY TOP
-51	SATIN FINISH BRONZE TOP
-VP	SECURED GRATE, VP
-66	NO-HUB SIDE OUTLET

\* "A" DIM. = \_\_\_\_\_ (3" STD., 12" MAX.)

WARNING: Cancer and Reproductive Harm - www.P65Warnings.ca.gov

DATE OF LAST CHANGE: 09/29/20

DIMENSIONS ARE SUBJECT TO MANUFACTURERS TOLERANCES AND CHANGE WITHOUT NOTICE. WE CAN ASSUME NO RESPONSIBILITY FOR USE OF SUPERSEDED OR VOID DATA.

**JOSAM**  
MICHIGAN CITY, INDIANA

NOTES