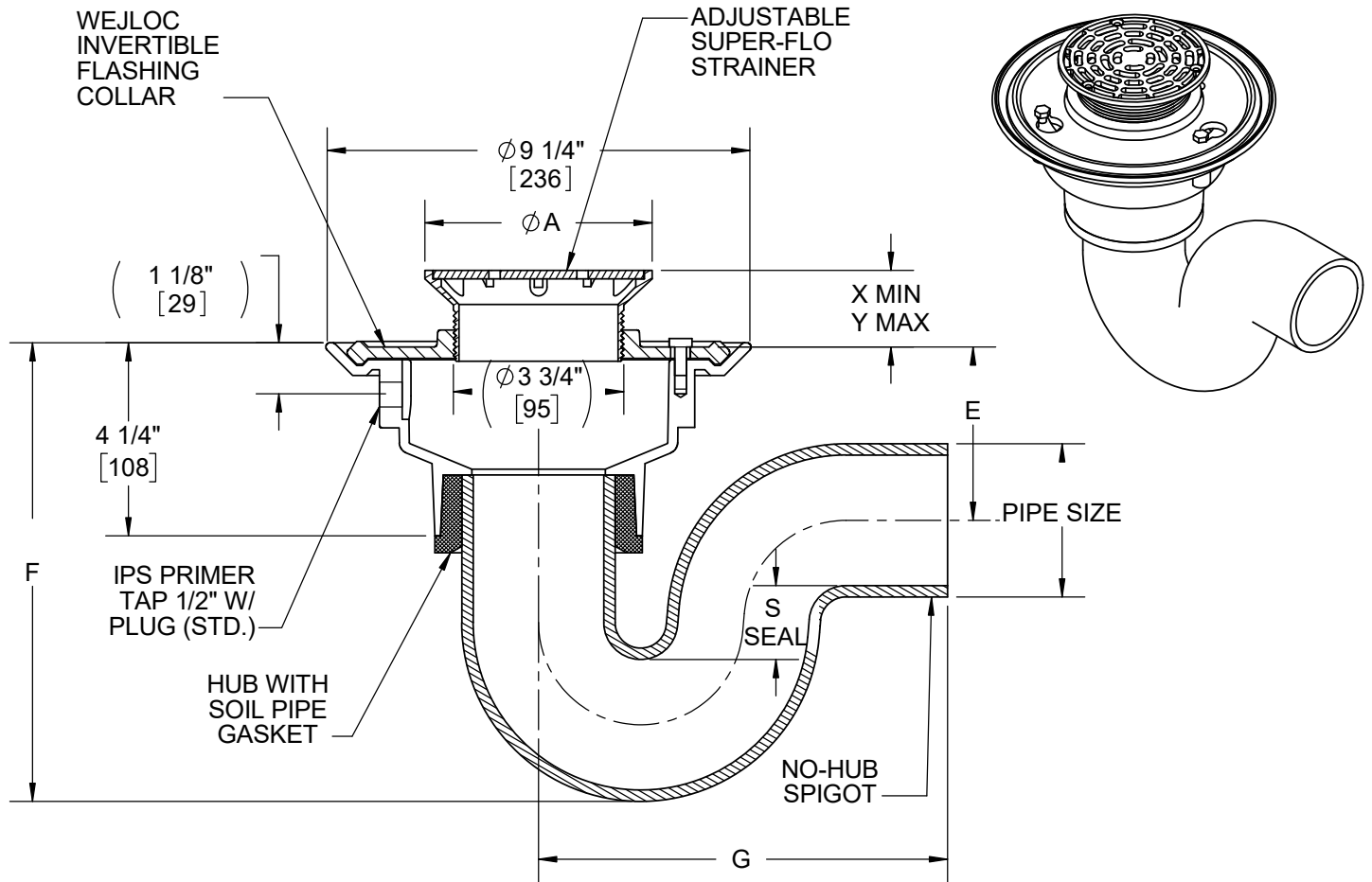


SPECIFICATIONS:

JOSAM 30000-WT-A SERIES COATED CAST IRON FLOOR DRAIN, TWO-PIECE BODY WITH DOUBLE DRAINAGE FLANGE, WEJLOC INVERTIBLE NON-PUNCTURING FLASHING COLLAR WITH WEEP-HOLES, BOTTOM OUTLET HUB CONNECTION WITH SOIL PIPE GASKET, P-TRAP WITH NO-HUB SPIGOT CONNECTION AND TYPE A ADJUSTABLE SATIN NIKALOY ROUND SUPER-FLO STRAINER.

FLOOR DRAIN WITH TRAP AND A STRAINER

SERIES **30000-WT-A**



STRAINER	A	X	Y	FREE AREA
-5A	5	3/4	2-1/8	8
-6A	6	1-1/4	2-3/8	11
-7A	7	1-1/8	2-7/8	13
-8A	8	1-5/8	2-5/8	16

PIPE SIZE	E	F	G	S
2	3	9-1/8	7-1/2	2
3	2-1/2	9-1/8	9	2-1/2
4	3-1/4	10-1/4	10-1/2	2-1/2

OPTIONS:

X	-WT	WITH TRAP
X	-Z	NO-HUB OUTLET
	-49	3/4" PRIMER TAP
	-92	GALVANIZED CI PARTS
	-CP	CHROME PLATED STRAINER (5A & 6A)

	-J	BACKWATER VALVE
	-VP	SECURED GRATE, VP SCREWS
	-2	BRONZE ADJUSTABLE STRAINER
	-80	PERF. STAINLESS STEEL BASKET

WARNING: Cancer and Reproductive Harm - www.P65Warnings.ca.gov

DATE OF LAST CHANGE: 07/24/18

DIMENSIONS ARE SUBJECT TO MANUFACTURERS TOLERANCES AND CHANGE WITHOUT NOTICE. WE CAN ASSUME NO RESPONSIBILITY FOR USE OF SUPERSEDED OR VOID DATA.

JOSAM

MICHIGAN CITY, INDIANA

NOTES: