

SPECIFICATION:

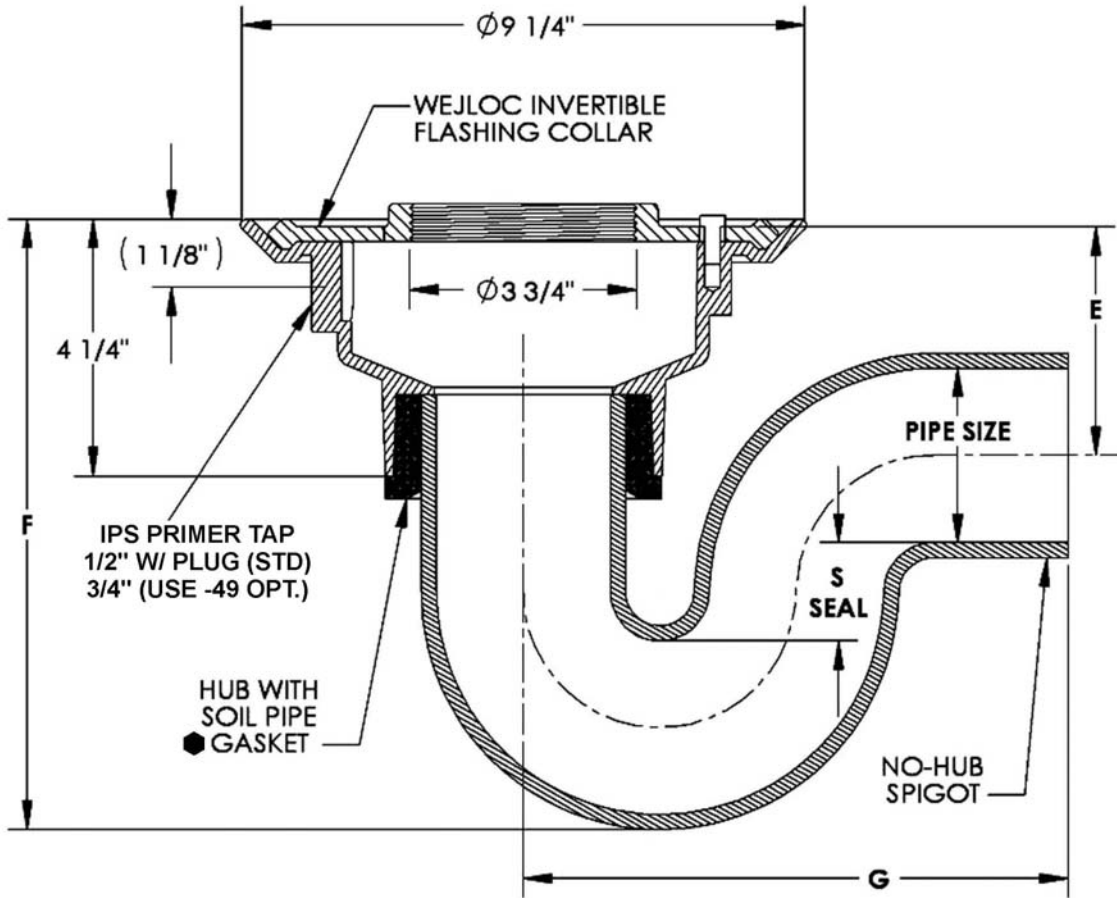
JOSAM 30000-WT SERIES CAST IRON FLOOR DRAIN, TWO-PIECE BODY WITH DOUBLE DRAINAGE FLANGE AND 1/2" PRIMER TAP WITH PLUG, BOTTOM OUTLET HUB CONNECTION WITH SOIL PIPE GASKET AND P-TRAP WITH NO-HUB SPIGOT CONNECTION, WEJLOC® INVERTIBLE FLASHING COLLAR WITH WEEPHOLES AND THREADED TO RECEIVE JOSAM ADJUSTABLE STRAINER.

**FLOOR DRAIN
BODY ONLY**

SERIES

30000-WT

● GASKET CONFORMS WITH ASTM-C564



PIPE SIZE	E	F	G	S
2"	2	7-3/16	7-1/2	2
3"	3-1/8	10-5/16	9	2-1/2
4"	2-3/8	11	10-1/2	2-1/2

- -WT WITH TRAP
- -49 3/4" PRIMER TAP
- -92 GALVANIZED CAST IRON PARTS
- -Z NO-HUB OUTLET

DRAWING No. 05/11/12

A-14712-K

JOSAM COMPANY
MICHIGAN CITY, INDIANA

NOTES: