

PVC Product Features

Josam PVC Floor Drains, Floor Sinks, and Cleanouts contain the same design features as Josam Cast Iron specification drainage products. The lightweight material is easy to install.

Polyvinyl Chloride

is a rigid material that is chemically non-reactive. It has a broad range of application, from high-volume construction to simple electric wire insulation and coating. PVC possesses good weathering properties, is low-cost and corrosion resistant. It has good electrical insulation properties, dimension and stability at room temperature, a good combination of stiffness and impact strength, has flame resistant and fire preventative properties.



DRAIN BODIES

30000-PVC

Body with Collar. For use with all Josam Strainers and Accessories.



Page 269

30300-PVC

Combination 3" x 4" Body. For use with all Josam Strainers and Accessories.



Page 269

A STRAINER

Nikaloy SUPER-FLO® Strainer



Page 270

S STRAINER

Nikaloy SUPER-FLO® Strainer



Page 270

PVC DRAINS

32100-PVC

9" Round Top



Page 270

35100-PVC

8" Square Cast Iron Top



Page 271

37800-PVC

12" Square Cast Iron Top



Page 271

FLOOR SINK

49320-PVC

Body/Dome Assembly with Full Grate



Page 272

CLEANOUT

58360-PVC

Combination 3" x 4" Adjustable Floor Cleanout



Page 272



30000-PVC SERIES **PVC BODY WITH COLLAR**

APPLICATION

For use with all adjustable strainers. Wide flange anchors drain body in concrete and works in conjunction with the clamp collar to redirect waste through the collar's weepholes if seepage occurs around the strainer. The WEJLOC® clamp provides a non-puncturing positive bond of the waterproofing membrane to the drain body for applications where floors with standing water are to be sealed off from areas below. The collar is also invertible for extra vertical strainer adjustment to meet finished floor level.

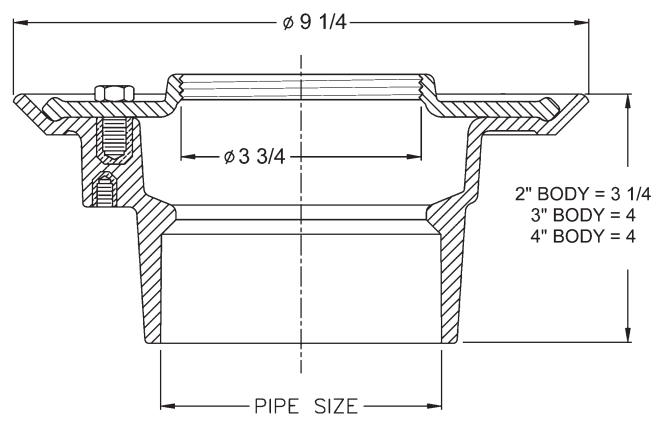
SPECIFICATION

JOSAM 30000-PVC Series PVC Floor Drain, two-piece body with double drainage flange, 1/2" primer tap with plug, WEJLOC® invertible non-puncturing flashing collar with weepholes, threaded to receive all JOSAM adjustable strainers and solvent weld bottom outlet for Schedule 40 PVC Pipe.

Available Options

- MD PVC Clamp Collar with 3" Socket Connection
 - 49 3/4" Primer Tap
- OUTLET:**
- S Solvent Weld Outlet for Schedule 40 PVC Pipe

FOR USE WITH ALL JOSAM STRAINERS & ACCESSORIES



FOR OUTLET TYPE SPECIFY -S

TYPE NO.	PIPE SIZE	LBS.
30002-PVC	2	2
30003-PVC	3	2
30004-PVC	4	2

30300-PVC SERIES **COMBINATION 3" X 4" PVC BODY**

APPLICATION

For use with all adjustable strainers in ground-floor installations where clamp device is not required.

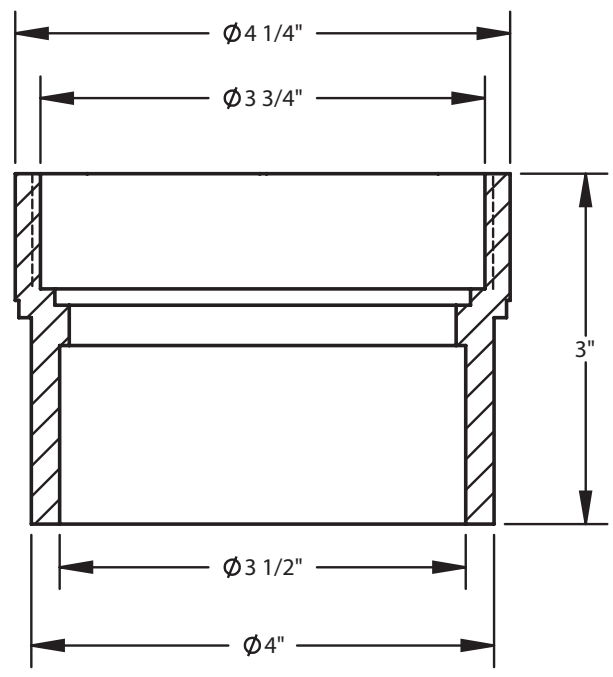
SPECIFICATION

JOSAM 30300-PVC Series PVC Body, threaded to receive all JOSAM adjustable strainers. Combination 3" x 4" solvent weld bottom outlet fits over 3" or inside 4" Schedule 40 PVC Pipe.

Available Options

- OUTLET:**
- S Solvent Weld Outlet for Schedule 40 PVC Pipe

FOR USE WITH ALL JOSAM STRAINERS & ACCESSORIES



TYPE NO.	PIPE SIZE	LBS.
30300-PVC	3 X 4	1

PVC PRODUCTS

A SERIES

ROUND NIKALOY SUPER-FLO® STRAINER

APPLICATION

For use in finished areas with pedestrian traffic such as toilet and shower rooms.

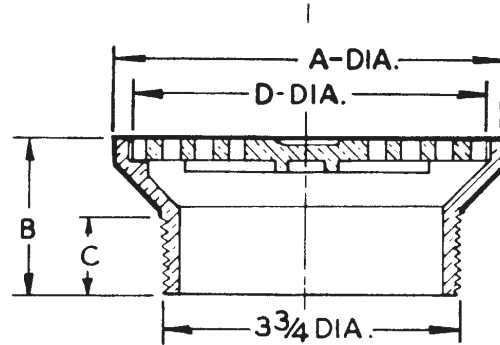
FOR USE WITH 30000-PVC
AND 30304-PVC BODIES

Available Options

- SS Stainless Steel, 5A, 6A, 7A, 8A
- 2 Satin Finish Bronze
- 80 Perforated Stainless Steel Basket
- CP Chrome Plated, 5A, 6A
- J Backwater Valve
- VP Secured Grate, Vandal-Proof Screws

•Not SUPER-FLO® Design

TYPE NO.	A	B	C	D	FREE AREA	LBS.
5A	5	1-15/16	1-1/8	4-5/8	7.8	2
6A	6	2-1/4	15/16	5-1/4	11.0	3
7A	7	2-11/16	1-1/2	6-7/16	13.2	4
8A	8	2-1/2	7/8	7-1/8	16.2	5
9A•	9	2-1/4	1	8-1/8	21.1	7
10A•	10	2-1/4	1-1/8	9	28.0	9



S SERIES

SQUARE NIKALOY SUPER-FLO® STRAINER

APPLICATION

For use in pedestrian traffic areas where square complements construction or floor finish, such as ceramic tile showers or kitchen floors.

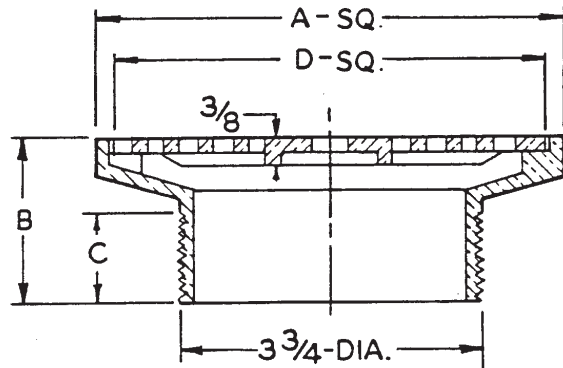
FOR USE WITH 30000-PVC
AND 30304-PVC BODIES

Available Options

- SS Stainless Steel, 5S, 6S, 8S
- 2 Satin Finish Bronze
- 80 Perforated Stainless Steel Basket
- CP Chrome Plated, 5S, 6S
- J Backwater Valve
- VP Secured Grate, Vandal-Proof Screws

•Not SUPER-FLO® Design

TYPE NO.	A	B	C	D	FREE AREA	LBS.
5S	5	1-3/4	7/8	4-1/2	9.1	3
6S	6	2-1/8	1	5-5/8	13.8	4
8S	8	2-3/8	1	7-1/2	24.5	9
9S•	9	2-3/8	1	8-5/8	28.0	10



32100-PVC SERIES

PVC DRAIN ASSEMBLY, 9" ROUND TOP

APPLICATION

For use in moderate traffic areas such as mechanical rooms and auto garages for any type of floor construction where a small to medium flow of liquid is anticipated.

SPECIFICATION

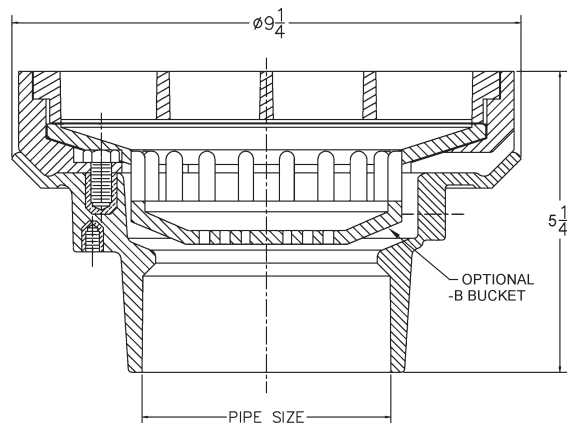
JOSAM 32100-PVC Series PVC Floor Drain, two-piece body with double drainage flange, WEJLOC® non-puncturing clamp collar with weepholes, 9" round PVC grate and solvent weld bottom outlet for Schedule 40 PVC pipe.

Available Options

- HG Half Grate
- B Bucket
- 49 3/4" Primer Tap
- 50 1/2" Primer Tap
- OUTLET:**
- S Solvent Weld Outlet for Schedule 40 PVC Pipe

FOR OUTLET TYPE SPECIFY -S

TYPE NO.	PIPE SIZE	LBS.
32102-PVC	2	4
32103-PVC	3	4
32104-PVC	4	4



35100-PVC SERIES PVC DRAIN ASSEMBLY, 8" SQUARE CAST IRON TOP

APPLICATION

For use in heavy traffic areas, such as warehouses and storage rooms, for any type of floor construction where a square top complements construction or floor finish and where a small to medium flow of liquid is anticipated.

SPECIFICATION

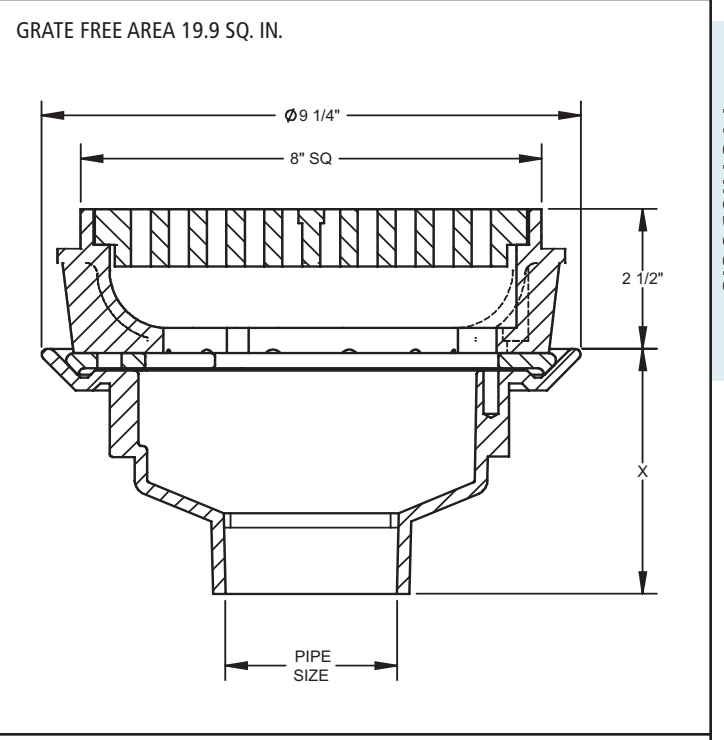
JOSAM 35100-PVC Series PVC Floor Drain, two-piece body with double drainage flange, non-puncturing clamp collar with weepholes, 8" cast iron square top with heavy-duty loose-set cast iron grate and solvent weld bottom outlet for Schedule 40 PVC pipe.

Available Options

- 1 Satin Finish Nikaloy Top
- 2 Satin Finish Bronze Top
- 15 Chained Grate
- 49 3/4" Primer Tap
- 50 1/2" Primer Tap

OUTLET:

- S Solvent Weld Outlet for Schedule 40 PVC Pip



FOR OUTLET TYPE SPECIFY -S

TYPE NO.	PIPE SIZE	X	LBS.
35102-PVC	2	3-1/4	27
35103-PVC	3	4	27
35104-PVC	4	4	27

37800-PVC SERIES SHALLOW SUMP, 12" SQUARE CAST IRON TOP

APPLICATION

For use in medium traffic areas, such as decks and storage rooms, for any type of floor construction where a square top complements construction or floor finish and a medium flow of liquid is anticipated.

SPECIFICATION

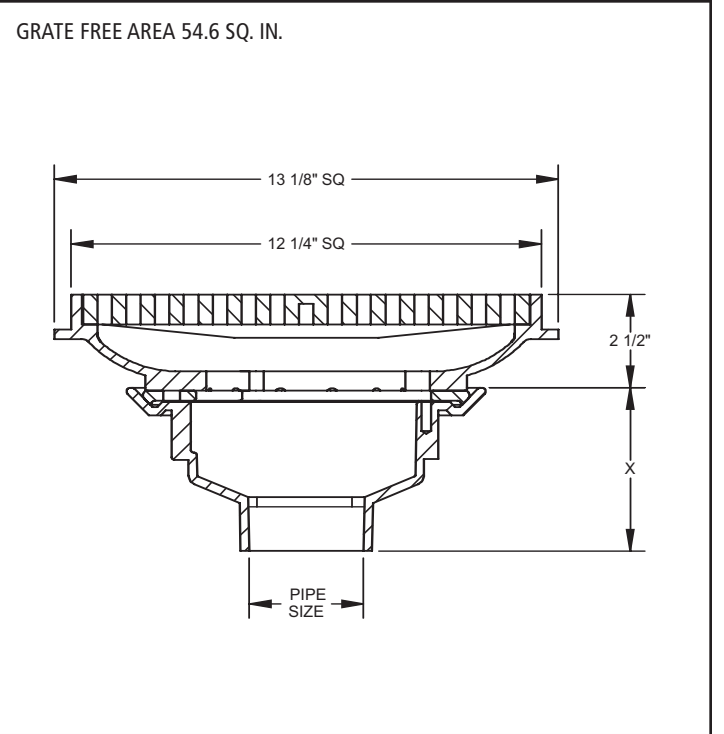
JOSAM 37800-PVC Series PVC Floor Drain, two-piece body with flashing flange, shallow body, non-puncturing flashing collar, weepholes, 12" cast iron square top with heavy-duty loose-set cast iron grate and solvent weld bottom outlet for Schedule 40 PVC pipe.

Available Options

- VP Secured Grate, Vandal-Proof Screws
- 14 Hinged Top
- 18 Hinged Top with Latching Device
- 19 C.I. Undergrate with Satin Finish Nikaloy Top
- 20 C.I. Undergrate with Satin Finish Bronze Top
- 49 3/4" Primer Tap
- 50 1/2" Primer Tap

OUTLET:

- S Solvent Weld Outlet for Schedule 40 PVC Pipe



FOR OUTLET TYPE SPECIFY -S

TYPE NO.	PIPE SIZE	X	LBS.
37802-PVC	2	3-1/4	49
37803-PVC	3	4	49
37804-PVC	4	4	49

PVC PRODUCTS

49320-PVC SERIES

PVC BODY/DOME ASSEMBLY, FULL GRATE

APPLICATION

For use in non-traffic areas such as kitchens, supermarkets and hospitals. The 9" square grate and medium sump accept moderate flow and the dome strainer intercepts debris which could block the drain line.

SPECIFICATION

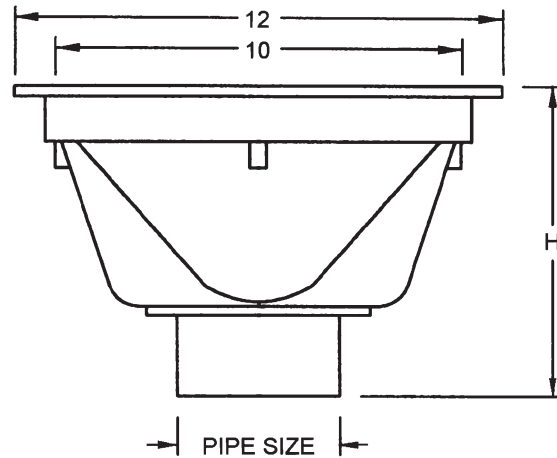
JOSAM 49320-PVC Series PVC Floor/Drain Sink, 12" x 12" top with full PVC medium-duty grate, aluminum dome and solvent weld bottom outlet for Schedule 40 PVC pipe.

Available Options

- LG Less Grate
- HG 1/2 Grate
- 3Q 3/4 Grate
- NB Nickel Bronze Traffic Top
- 3 1/2 Grate, Nickel Bronze
- 4 3/4 Grate, Nickel Bronze
- 5 Nikaloy Extra Heavy-Duty Grate & Rim
- 7 Full Grate with 2-1/2" Center Opening
- VP Secured Grate, Vandal-Proof, NB Only
- 16 Grate with 4" Round Funnel, NB Only
- 17 Grate with 6" Round Funnel, NB Only
- 18 Grate with 9" x 3-1/2" Oval Funnel, NB Only
- 24 Chained Grate, NB Only
- 50 1/2" Primer Tap

OUTLET:

- S Solvent Weld Outlet for Schedule 40 PVC Pipe



FOR OUTLET TYPE SPECIFY -S

TYPE NO.	PIPE SIZE	H	LBS.
49322-PVC	2	6-7/8	8
49323-PVC	3	7-5/8	8
49324-PVC	4	7-7/8	8

58360 SERIES

ADJUSTABLE FLOOR CLEANOUT

APPLICATION

For use in finished floors subject to pedestrian and light wheel traffic such as strip malls and light commercial buildings where a full line sized plug is not required. Top design allows for adjustment.

SPECIFICATION

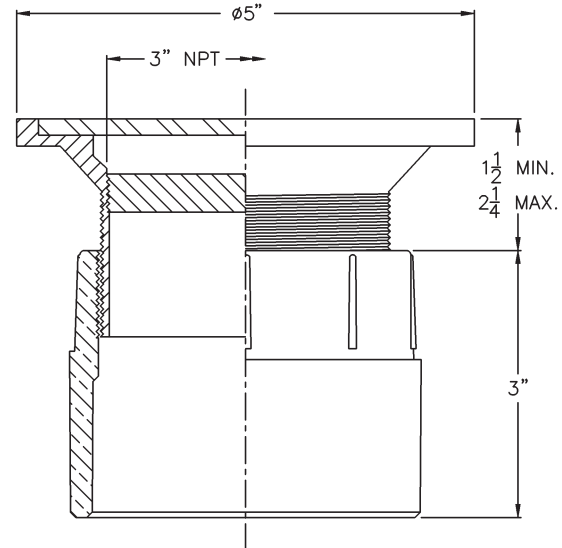
JOSAM 58630-PVC Series PVC Cleanout, round Nikaloy adjustable top with internal bronze plug. Combination 3" x 4" solvent weld bottom outlet fits over 3" or inside 4" Schedule 40 PVC Pipe.

Available Options

- 2 Satin Finish Bronze Top
- 14 Carpet Cleanout Marker
- VP Secured Cover, Vandal-Proof Screws

OUTLET:

- S Solvent Weld Outlet for Schedule 40 PVC Pipe



FOR OUTLET TYPE SPECIFY -S

TYPE NO.	PIPE SIZE	LBS.
58360-PVC	3 X 4	4