

SPECIFICATION:

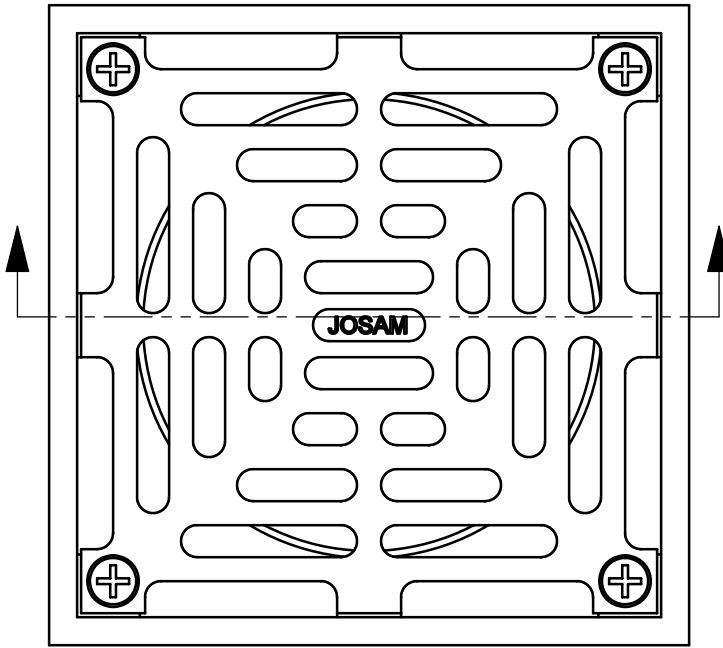
JOSAM SERIES "S" ADJUSTABLE SATIN FINISH NIKALOY SQUARE "SUPER - FLO"® STRAINER THREADED WITH JOSAM ADJUSTABLE STRAINER THREAD.

**FLOOR DRAIN
ADJUSTABLE STRAINER**

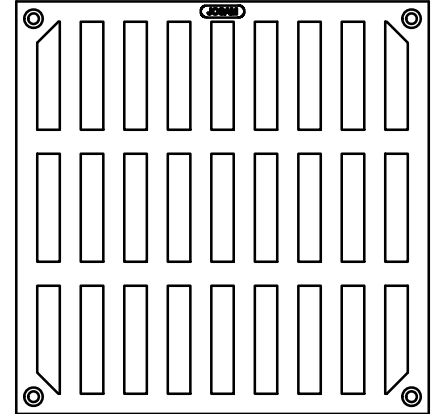
SERIES

S

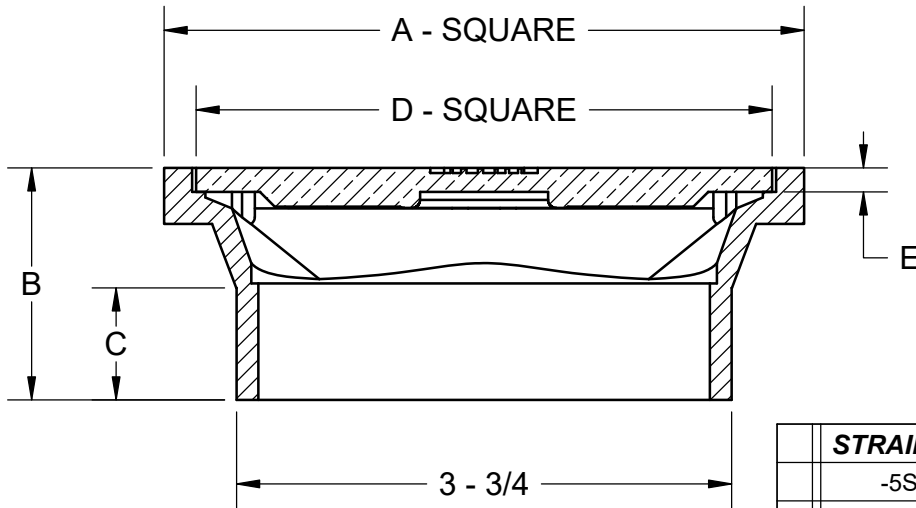
5S, 6S, 8S: SLOT WIDTH 1/4" (ADA AND HEELPROOF)



9S: SLOT WIDTH 1/2"
MEETS ADA



NOT SUPER FLOW



	STRAINER	A	B	C	D	E	FREE AREA
	-5S	5	1-3/4	7/8	4-1/2	3/16	9.1
	-6S	6	2-1/8	1	5-5/8	3/16	13.8
	-8S	8	2-3/8	1	7-1/2	3/16	24.5
	-9S*	9	2-3/8	1	8-5/6	7/32	28.0

* NOT "SUPER - FLO"® DESIGN

-SS	STAINLESS STEEL (5S, 6S, 7S, & 8S)	-CP	CHROME PLATED STRAINER (5S & 6S)
-2	BRONZE ADJUSTABLE STRAINER	-J	BACKWATER VALVE
-80	PERFORATED STAINLESS STEEL BASKET	-VP	SECURED GRATE, VANDAL-PROOF SCREWS
-HD	HEAVY DUTY LOAD RATING (5S & 6S ONLY)	-DBC	DEBRIS COVER (5S, 6S, 8S)
-TSI	TRAP SEAL INSERT		

DATE OF LAST CHANGE: 03/22/21

DIMENSIONS ARE SUBJECT TO MANUFACTURERS TOLERANCES AND CHANGE WITHOUT NOTICE. WE CAN ASSUME NO RESPONSIBILITY FOR USE OF SUPERSEDED OR VOID DATA.

JOSAM

MICHIGAN CITY, INDIANA

NOTES

WARNING: Cancer and Reproductive Harm - www.P65Warnings.ca.gov

